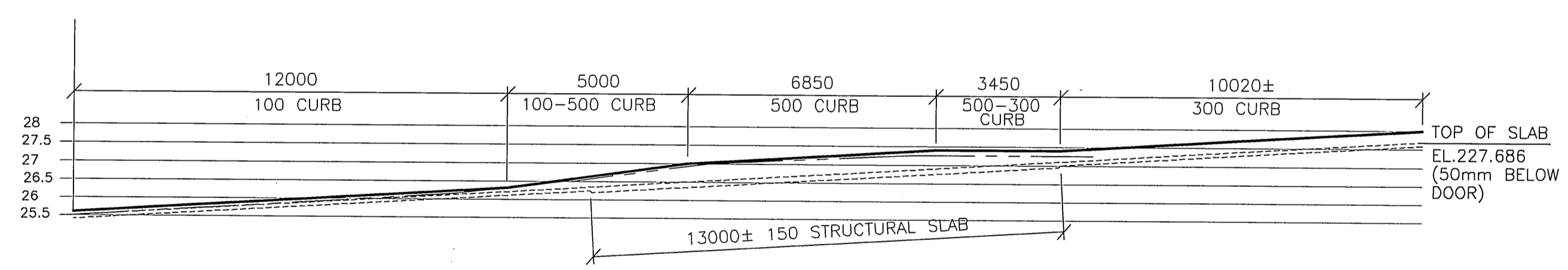
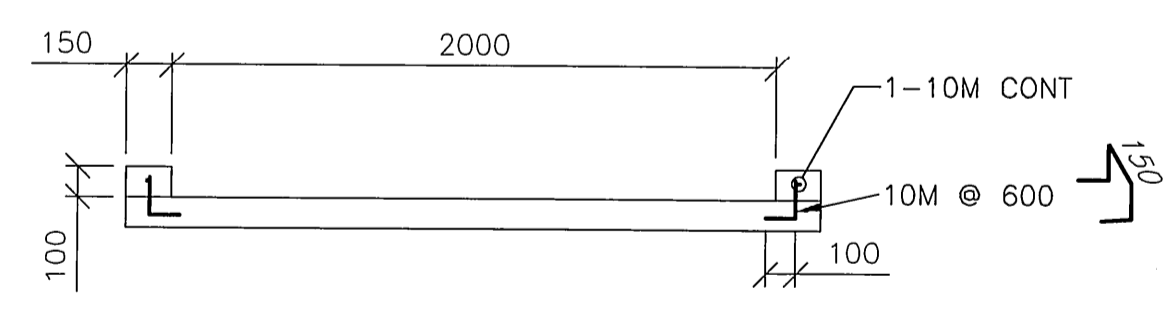


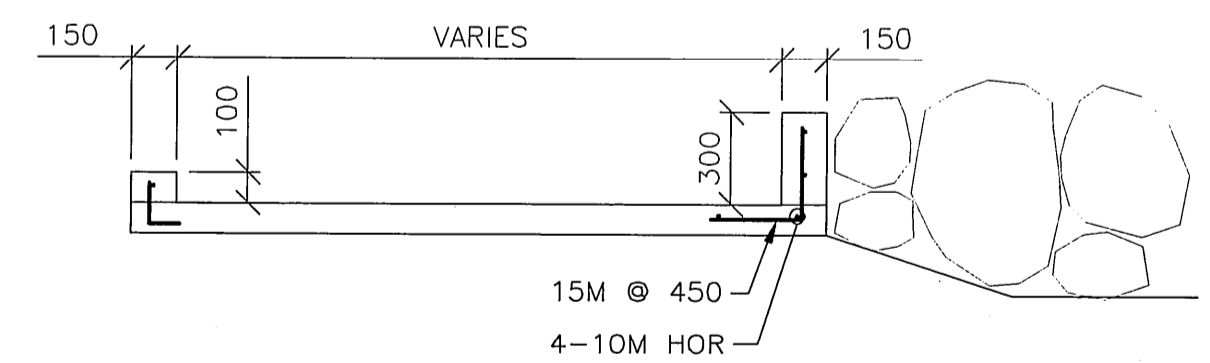
1 PARTIAL PLAN - CONC SIDEWALK
1 : 75



2 ELEVATION
1 : 125



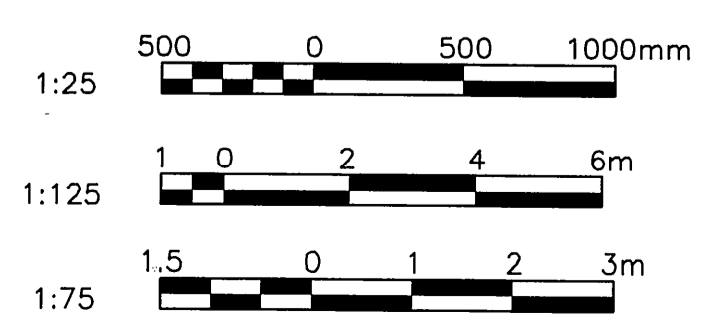
3 SECTION
1 : 25



4 SECTION
1 : 25

RECORD DRAWING
DATE 05.01.20 BY G.I.
REVIEWED BY BF

APEGM
Certificate of Authorization
Wardrop Engineering Inc.
No. 195 Expiry: April 30, 2004



B.M. ELEV.	F.B.	WARDROP Engineering Inc.	
		DESIGNED BY S.B./C.R.M.	CHECKED BY C.R.M.
		DRAWN BY G.I.	APPROVED BY R.H.W.
		HOR. SCALE: AS NOTED	ACCEPTED BY DATE
		VERTICAL:	
		DATE 03.10.03	
		B. EBENSPANER, P. ENG. BRIDGE DESIGN AND PROJECTS ENGINEER	

THE CITY OF WINNIPEG PUBLIC WORKS DEPARTMENT ENGINEERING DIVISION	
PROVENCHER PAIRED BRIDGES PROJECT PEDESTRIAN BRIDGE	CITY DRAWING NUMBER B231-02-133 SHEET OF
EAST LANDING CONCRETE SIDEWALK TO EAST ABUTMENT DOOR	1408C-1