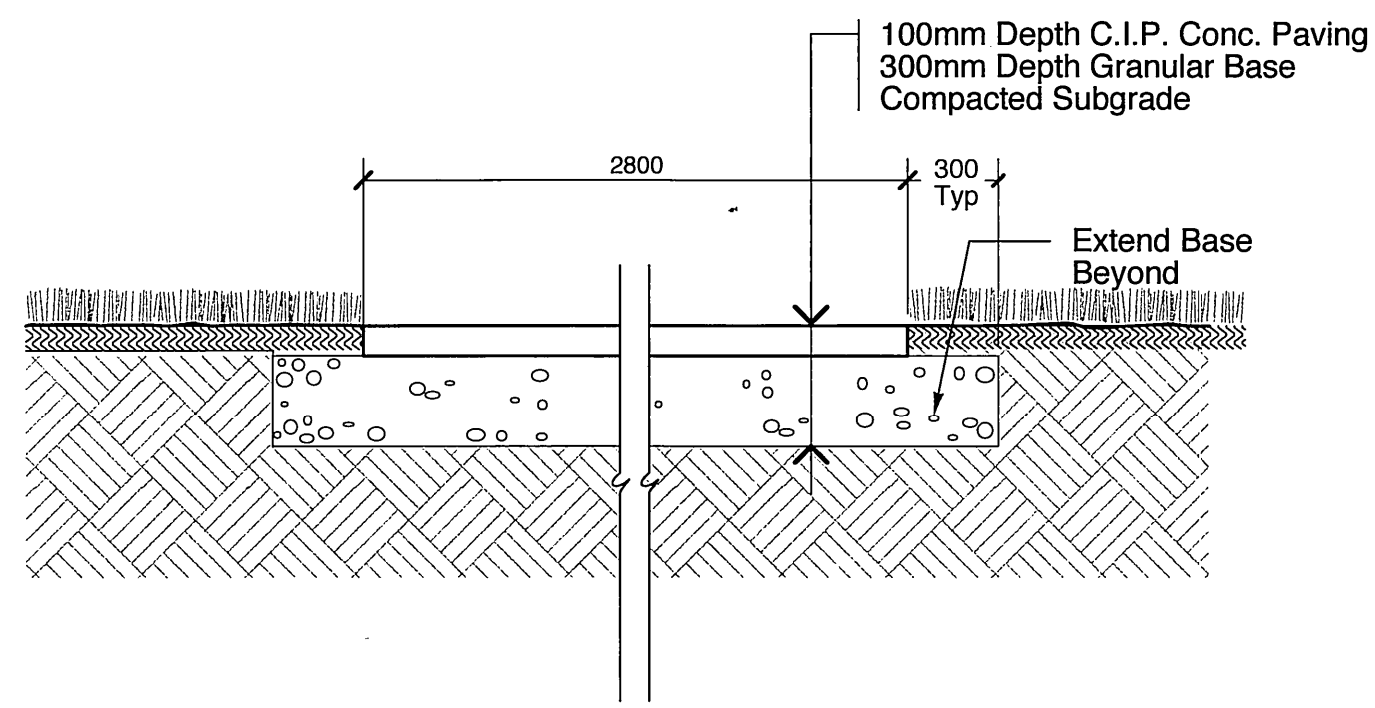
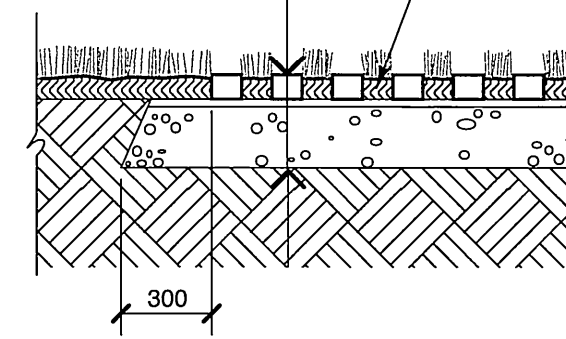


1 Concrete Paving With Curbs - Type C
1413 1:25



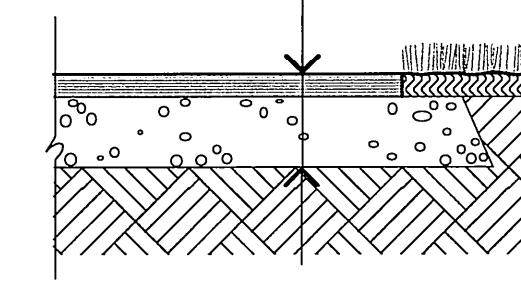
2 Concrete Paving - Type D
1413 1:25

Concrete Grid Paving:
Turfstone Concrete Grid
25mm Depth Bedding Sand
300mm Depth Granular Base
Compacted Subgrade



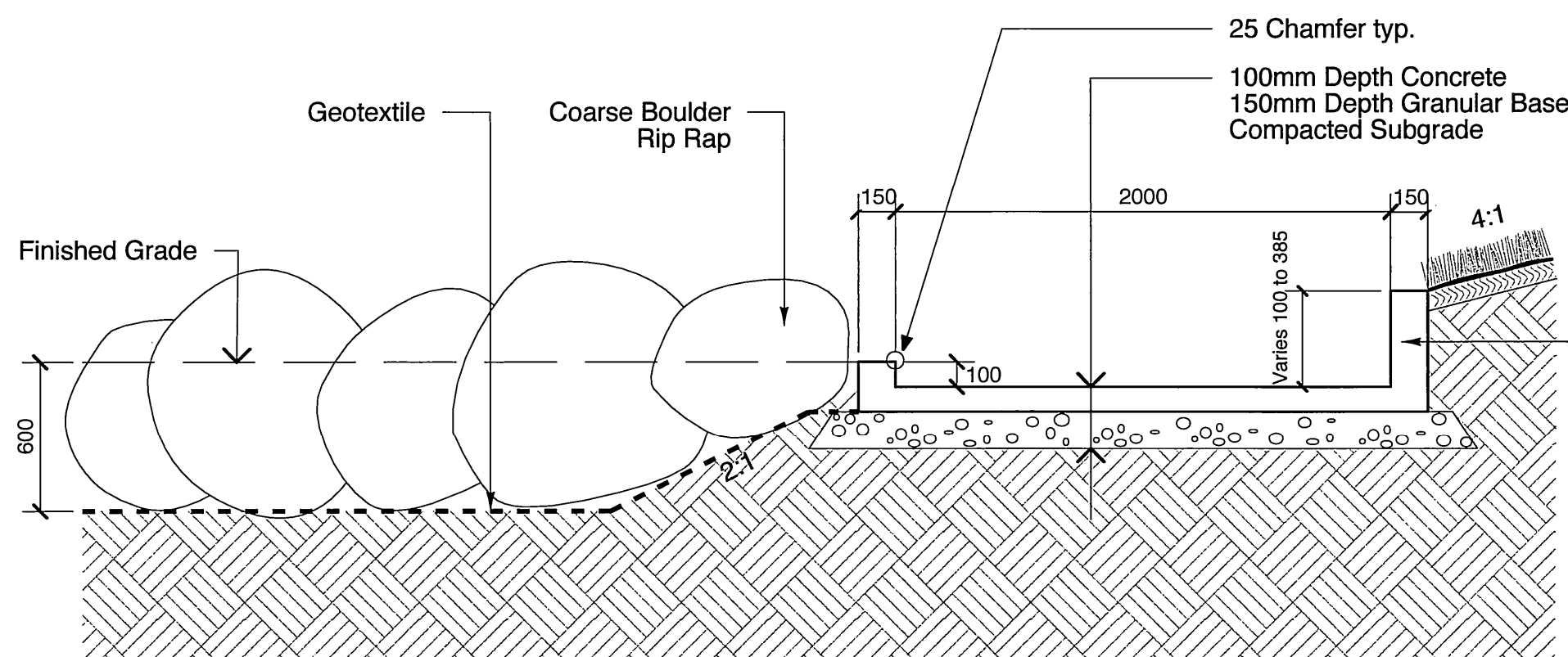
TURFSTONE PAVERS

Grass (Seeded)
Set Topsoil 13mm Below
Top of Grid

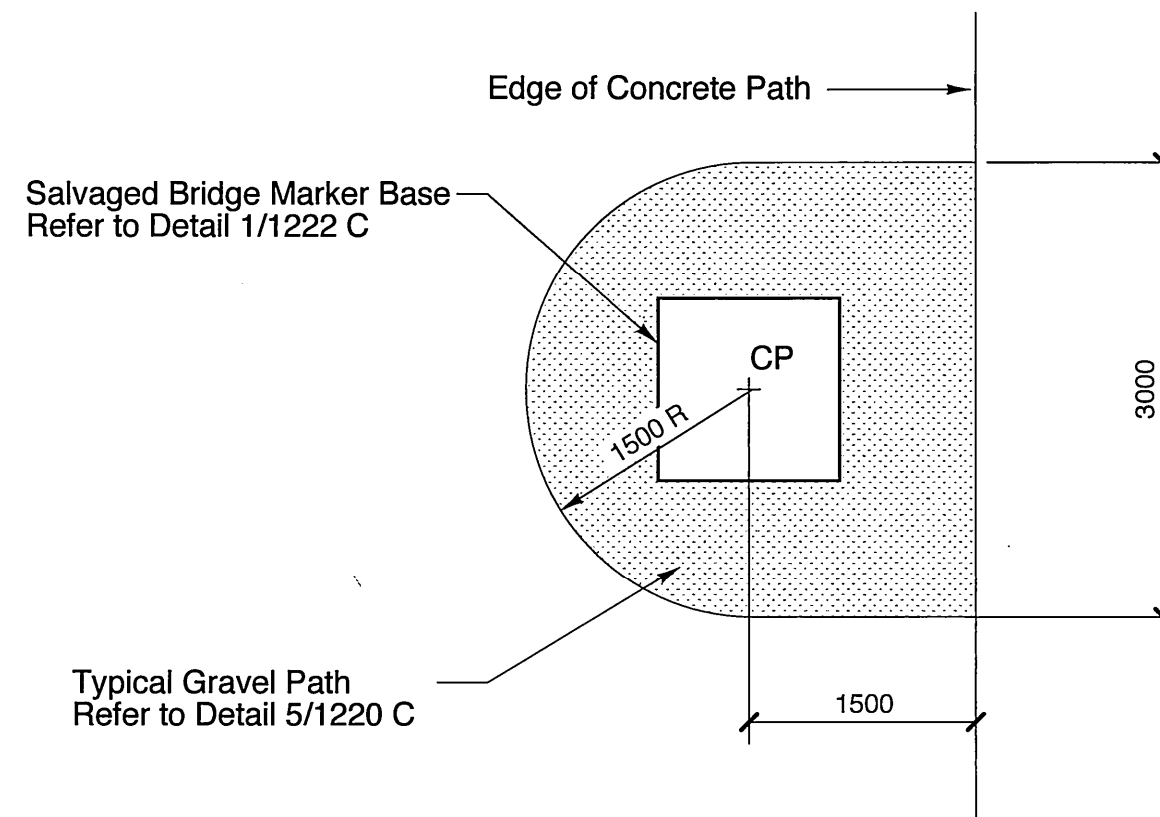


NEW ASPHALT

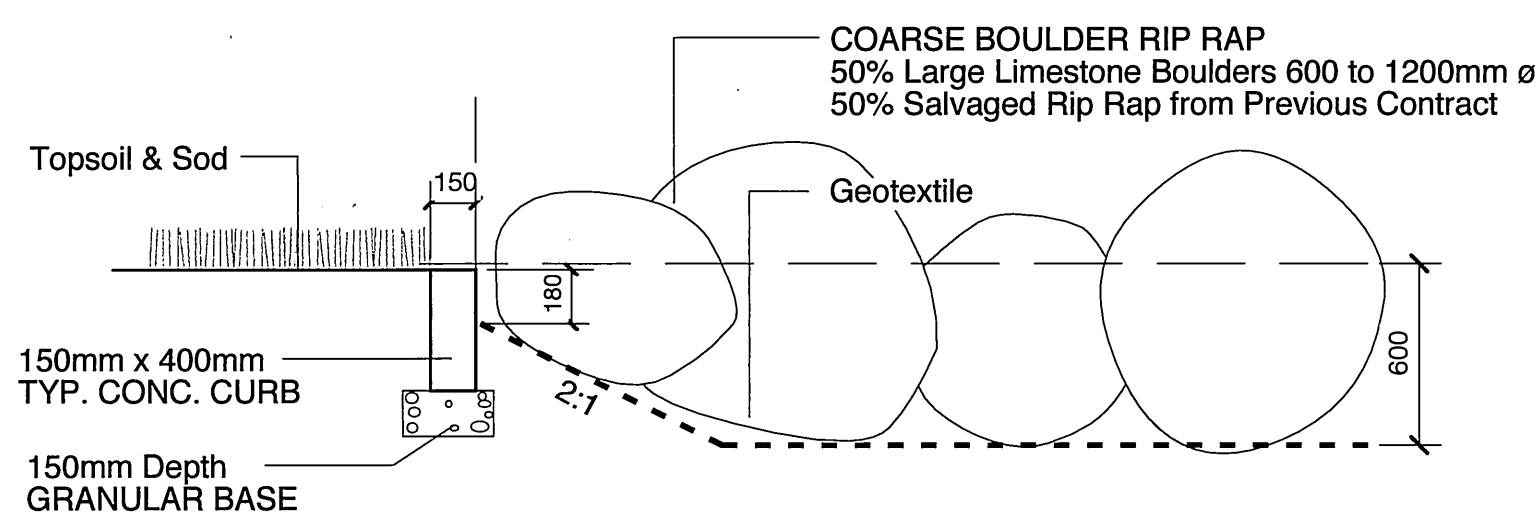
3 River Access Driveway
1413 1:25



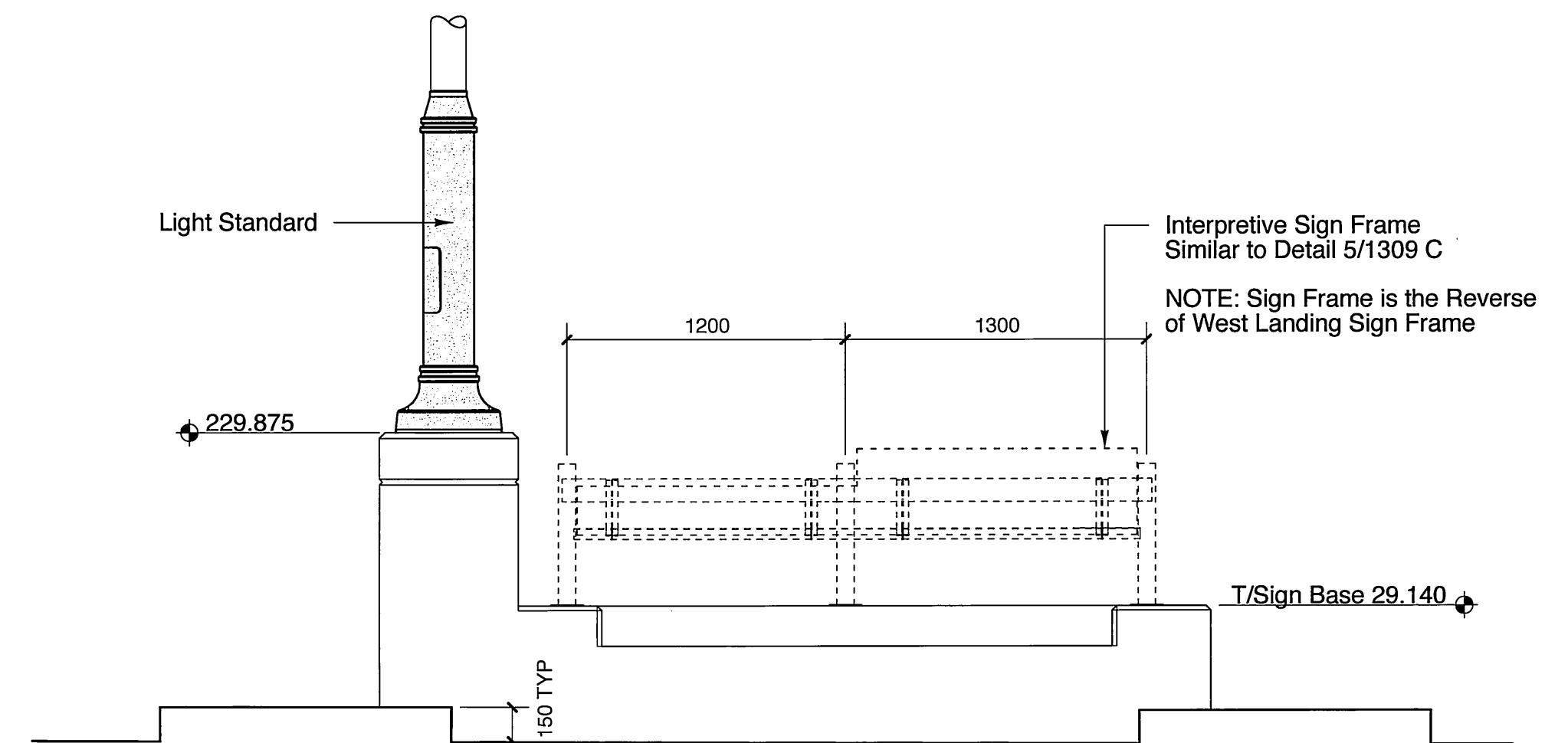
4 Concrete Drainage Swale
1413 1:25



5 Salvage Bridge Markers
1413 1:50



7 Concrete Curb for Coarse Boulder Rip Rap
1413 1:25



6 Interpretive Sign Elevation
1413 1:25

RECORD DRAWING
DATE 05-01-21 BY AKP
REVIEWED BY RCM

**HILDERMAN
THOMAS
FRANK
CRAM**
Landscape Architecture • Planning
500-115 Bannatyne Avenue East, Winnipeg, Manitoba R3B 0R3
Telephone 204-944-9907 Facsimile 204-957-1467

B.M. ELEV.	F.B.	NO.	REVISIONS	DATE	BY
		3	RECORD DRAWING	05.01.20	
		2	ISSUED FOR C.C.O #45	03.10.09	
		1	ISSUED FOR PRICING	03.08.15	
		0	ISSUED FOR PRICING	03.06.30	

WARDROP Engineering Inc.	
DESIGNED BY	CHECKED BY
DRAWN BY	APPROVED BY
HOR. SCALE: AS NOTED	ACCEPTED BY DATE
VERTICAL:	
DATE 03.08.13	B. EBENSCHANGER, P. ENG. BRIDGE DESIGN AND PROJECTS ENGINEER

ORIGINAL DRAWING REVISION "0" SEALED BY GLEN MANNING
CONSULTANT DRAWING NO.

THE CITY OF WINNIPEG
PUBLIC WORKS DEPARTMENT
ENGINEERING DIVISION

PROVENCHER PAIRED BRIDGES PROJECT
PEDESTRIAN BRIDGE

EAST LANDING DETAILS

CITY DRAWING NUMBER
B231-02-138
SHEET OF

1413 C