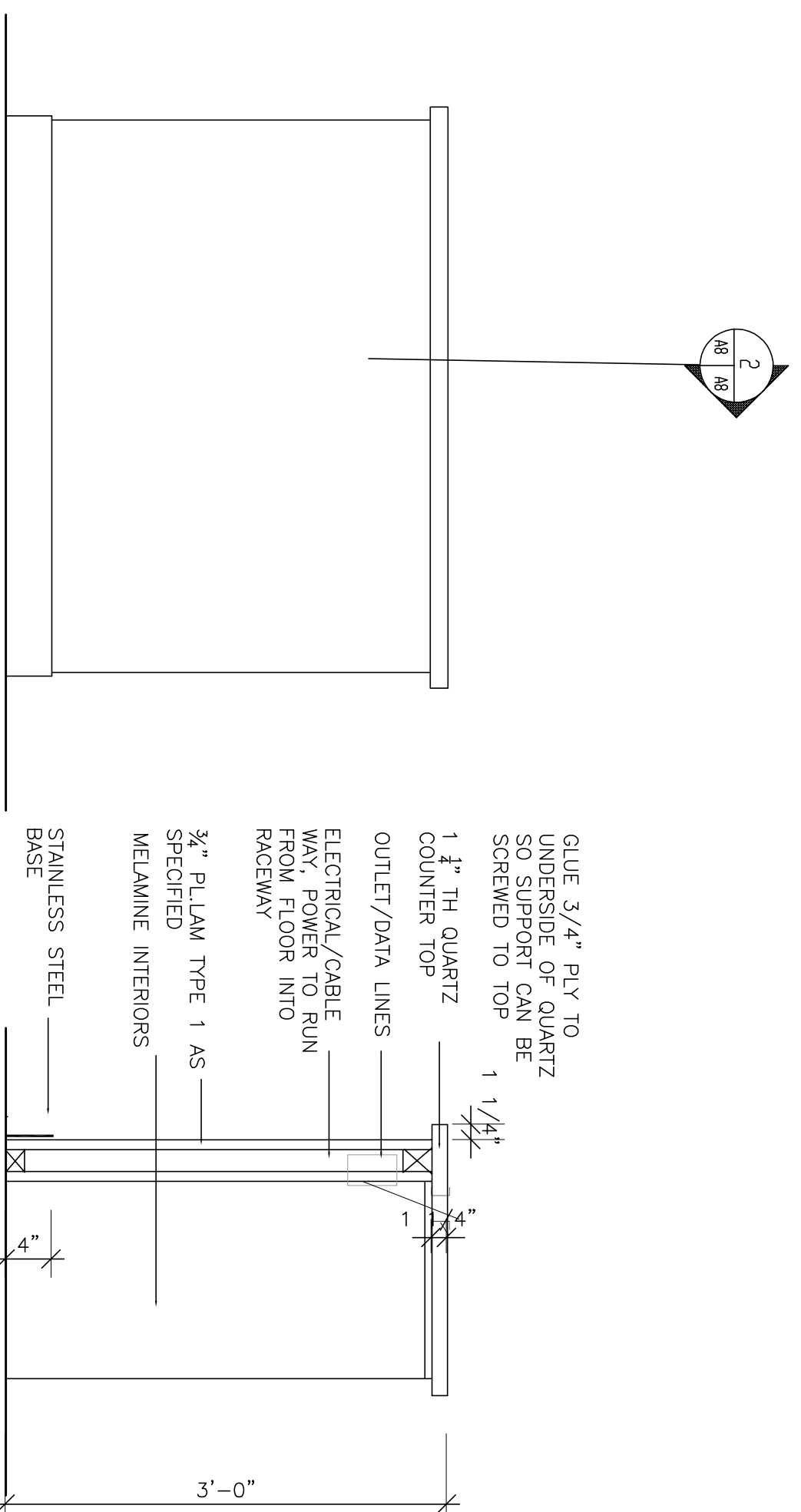
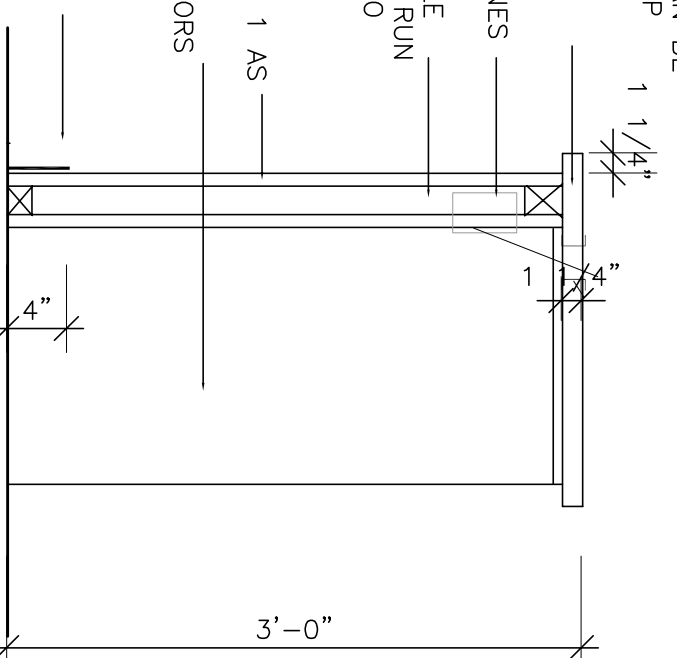


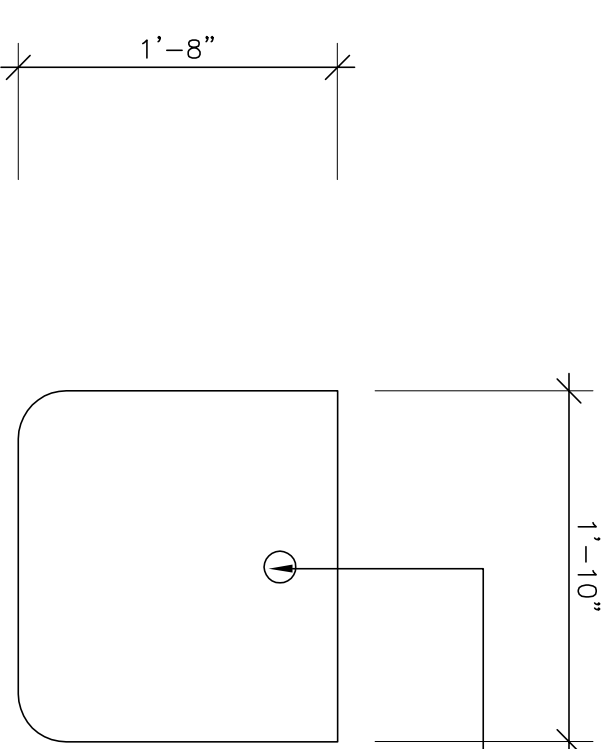
PLAN  
SCALE 1"=1'-0"



1 SECTION  
SCALE 1"=1'-0"

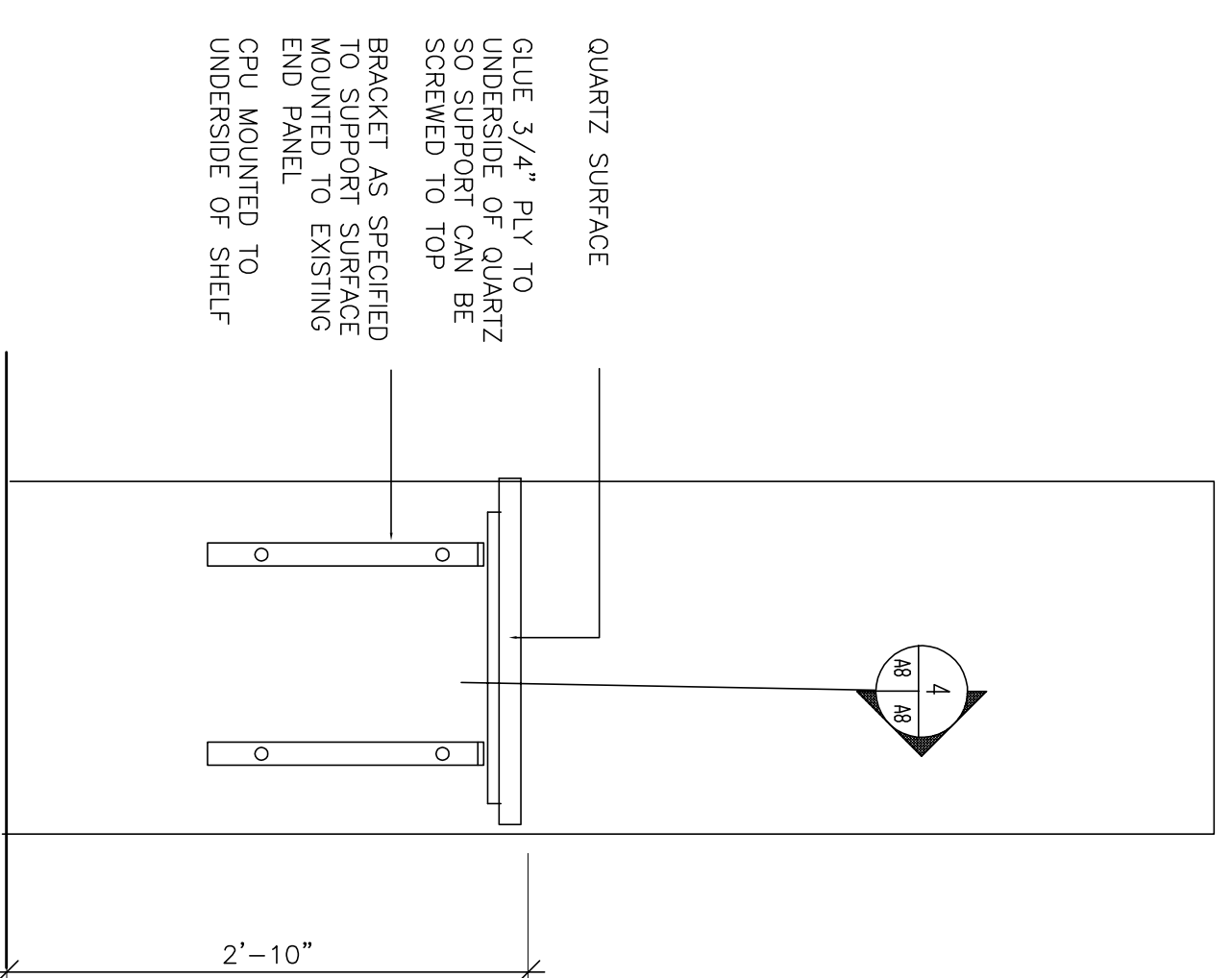


2 SECTION  
SCALE 1"=1'-0"

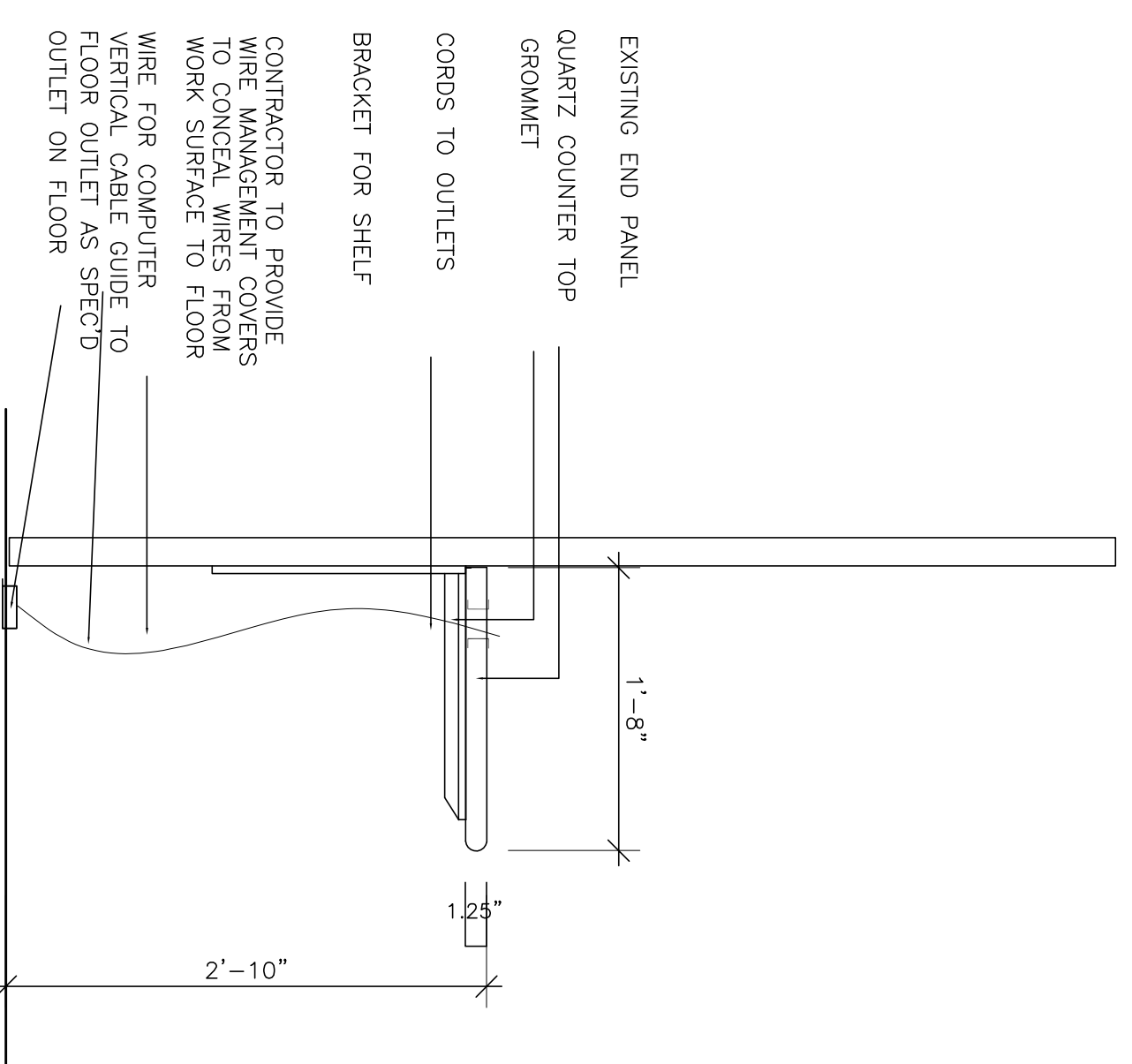


1 PLAN  
SCALE 1"=1'-0"

GROMMETS ON COUNTER TOP TO BE LOCATED ON SITE BY MANAGER  
QUARTZ TOP AS NOTED  
2 UNITS AS PER PLAN MOUNTED ON END PANELS AS NOTED ON SHEET D-3  
RADIUS EDGES TO TAKE AWAY SHARP CORNERS



3 ELEVATION  
SCALE 1"=1'-0"



4 SECTION  
SCALE 1"=1'-0"

**MILLWORK NOTES**

1. STANDARDS
2. AWAC PREMIUM GRADE MILL STANDARD LATEST EDITION
3. CONSTRUCTION
  - A) DRAWER SIDES, BACKS, AND BOTTOMS TO BE 1/2" ROOFY CUT BIRCH
  - B) ALL EXTERIOR SURFACES (INCLUDING TOPS, GABLES, BOTH SIDES OF DRAWER AND DOOR FRONTS TO HAVE 3M PVC EDGING FOR MELAMINE MATERIAL
  - C) ALL SUPPORT BELOCING WITHIN MILLWORK TO BE CONCEALED FROM VIEW.
  - D) ALL UNITS TO BE FIRMLY SCRIBED WITHIN PARTITIONS.
  - E) ALL CONSTRUCTION TO BE 3/4" PLYWOOD OR PARTIAL BOARD AS SPECIFIED
  - F) CLEAR GROUT AT ALL EDGES AS REQUIRED
3. SHOP DRAWINGS
  - A) BE DONE AND SENT TO DESIGNER FOR APPROVAL PRIOR TO CONSTRUCTION
  - B) SHOP DRAWINGS WHO WILL BE VALUABLE UPON REQUEST FOR CASE OF SHOP DRAWINGS
4. MILLWORK HARDWARE
  - A) BRASSER SIZES: 1/4"APP & VOLT: 1483 (UP TO 150 LB. LOAD RATING, HEAVY DUTY FULL EXTENSION) DRAWERS OVER 6" HIGH & PRINTER SHELF DRAWERS 1248 (UP TO 50 LB. LOAD RATING, DRAWERS UNDER 6" HIGH

- GROMMET HAFELE 429.94.212 (65MM) CHROME POL. ZINC DIE CAST
- HINGES HETTICH CONCEALED HINGES, NO 780 NICKEL FINISH
- STAINLESS STEEL HANDLE HAFELE MODEL: 117.05.630
- METAL SHELF SUPPORT AND STANDARDS K & V ZINC RECESSED IN/D GABLES ENDS
- GABLES FOR GABLE ENDS
- LOOKS FOR TOP DRAWER OF PEDESTALS
- MODEL: 650.194.324
- COLOR: BLACK
- MODEL: 253.64.600
- SYMO 3000

- SUPPORT LEG & DISC BASE FOR ONLY 38" H COUNTER
- MODEL: 635.01.271 PLUS 635.01.002
- SIZE: 60 MM DIA HEIGHT FROM 24 3/4" PLUS ADJUSTMENT 11 3/4" H
- COLOR: SILVER/ALUMINUM rd 9006

- SUPPORT LEG & DISC BASE FOR ALL OTHER AREAS
- MEGR HAFELE
- MODEL: 635.35.271 PLUS 635.35.200
- SIZE: 4.5" DIA 27 1/2" HEIGHT
- COLOR: SILVER/ALUMINUM rd 9006

- MIRROR FRAMES FOR BATHROOMS
- MIRRO HAFELE
- MODEL: 1483.022
- COLOR: STAINLESS STEEL
- SIZE: 27 3/4"

- CONCEALED BRACKET
- MFR: HAFELE
- MODEL: 1483.022
- COLOR: BLACK
- SIZE: 18" x 18"

- VERTICAL CABLE GUIDE
- MFR: HAFELE
- MODEL: 1672010
- COLOR: SATIN ALUMINUM
- KANSLEY COMPANY WALL SYSTEM
- MODEL: 10-8105
- STAINLESS STEEL CONSTRUCTION

EXISTING END PANEL

QUARTZ COUNTER TOP

GROMMET

CORDS TO OUTLETS

BRACKET FOR SHELF

CONTRACTOR TO PROVIDE

WIRE MANAGEMENT COVERS

TO CONCEAL WIRES FROM

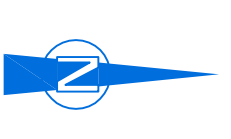
WORK SURFACE TO FLOOR

WIRE FOR COMPUTER

VERTICAL CABLE GUIDE TO

FLOOR OUTLET AS SPEC'D

OUTLET ON FLOOR



NO.	DATE	DESCRIPTION	BY	M.G.
1	NOV 2, 2017	FOR CONSTRUCTION		

DRAWN BY  
PRINTING DATE

DRAWINGS & SPECIFICATIONS, AS INSTRUMENTS OF SERVICES ARE THE PROPERTY OF SYNERGY INTERIOR DESIGN INC.. THE COPYRIGHT IN THE SAME BEING RESERVED TO THEM. NO REPRODUCTION MAY BE MADE WITHOUT THE PERMISSION OF SYNERGY INTERIOR DESIGN INC..  
SYNERGY INTERIOR DESIGN INC.  
13 Roseworth, Avenue WINNIPEG, MB Canada R2M 0V8  
204 233 9159  
maliwne@synergyinteriors.com



**SYNERGY INTERIOR DESIGN INC**

13 Roseworth, Avenue WINNIPEG, MB Canada R2M 0V8

204 233 9159

maliwne@synergyinteriors.com

DATE JULY 2017 SCALE 1/8"=1'-0" REVISIONS  
DRAWN BY M.G. CHECKED BY M.G.

**PEMBINA TRAIL LIBRARY**  
**2724 PEMBINA HWY. WINNIPEG**