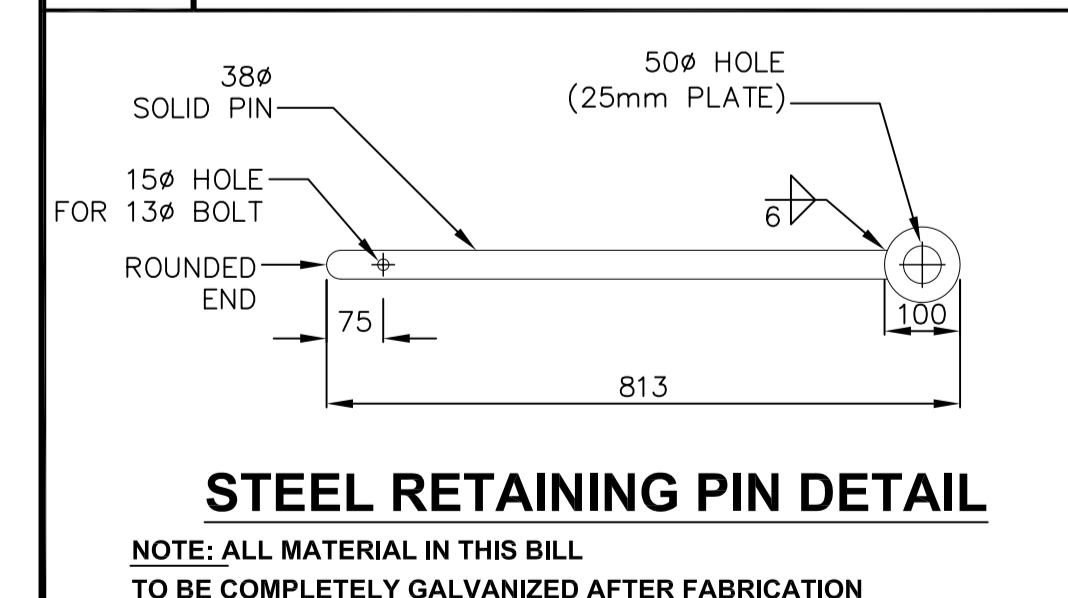


**POST CLAMP INSERT DETAIL**  
SCALE 1:25  
NOTE: FOR BARRIER CAST UPSIDE DOWN POST INSERTS MAY BE GROUTED INTO 70ø FORMED HOLE.

**METRIC**  
WHOLE NUMBERS INDICATE MILLIMETRES  
DECIMALIZED NUMBERS INDICATE METRES

BILL OF REINFORCING STEEL FOR ONE CONC. BARRIER UNIT				
MARK	TYPE	LENGTH	NO. PER UNIT	BENDING DIAGRAM
TB15001	BENT	1648	8	
TB15002	STRAIGHT	2895	6	
ALL REINFORCING STEEL GRADE 400 MPa				
VOLUME OF CONC. PER UNIT = 0.88 m <sup>3</sup>				
MASS OF EACH UNIT = 2110kg				

BILL OF MISCELLANEOUS METAL FOR ONE CONC. BARRIER UNIT	
NO.	DESCRIPTION
4	RICHMOND LEL-WS END LIFT INSERT FOR 25ø LEB
4	RICHMOND LEB EYE BOLT 25øx75 LONG
1	38øx813 STEEL RETAINING PIN (SEE DETAIL)
1	13øx75 LG BOLT C/W HEX NUT & 2 LOCK WASHERS
2	25øx25 LG SOCKET HEAD SCREWS
1	POST CLAMP INSERT (SEE DETAIL)



- GENERAL NOTES:**
- CONCRETE:  
SPECIFIED COMPRESSIVE STRENGTH @ 28 DAYS = 40MPa  
MAX. W/C RATIO = 0.4  
AGGREGATE = 20mm NOMINAL  
AIR CONTENT = 5 TO 8
  - STEEL FORM FINISH UNLESS OTHERWISE APPROVED.
  - MINIMUM CHAMFER ON ALL EDGES 13mm.
  - REBAR TO BE GRADE 400 MPa.
  - UNITS ARE DESIGNED TO BE INSTALLED BY HAVING AN END "1" CONNECTED TO AN END "2".
  - UNIT NO.'S TO START WITH 2 DIGIT YEAR DESIGNATION FOLLOWED BY 2 DIGIT PRODUCTION NO. (PRODUCTION UNIT NO. SHOWN IS FOR ILLUSTRATIVE PURPOSE ONLY).

NO.	REVISIONS	DATE	BY
1.	APPROVED EQUAL #2 MODIFIED DIMENSIONS	18/JAN.	AP

<b>wsp</b>	
DESIGNED BY	N/A
CHECKED BY	N/A
DRAWN BY	JM 01-10-18
APPROVED BY	MH
HOR. SCALE:	1: 10
VERTICAL:	OR AS NOTED
RELEASED FOR CONSTRUCTION	N/A
DATE	

CONSULTANT DRAWING NO.	17M-02091-00_AE2
------------------------	------------------

**THE CITY OF WINNIPEG**  
PUBLIC WORKS DEPARTMENT  
ENGINEERING DIVISION

**APPROVED EQUAL NO.2**  
**PRECAST CONCRETE**  
**PORTABLE TRAFFIC BARRIER**

SHEET 1 OF 1  
CAD FILE DRAWING NUMBER AE2  
BID OPPORTUNITY NUMBER 1104-2017