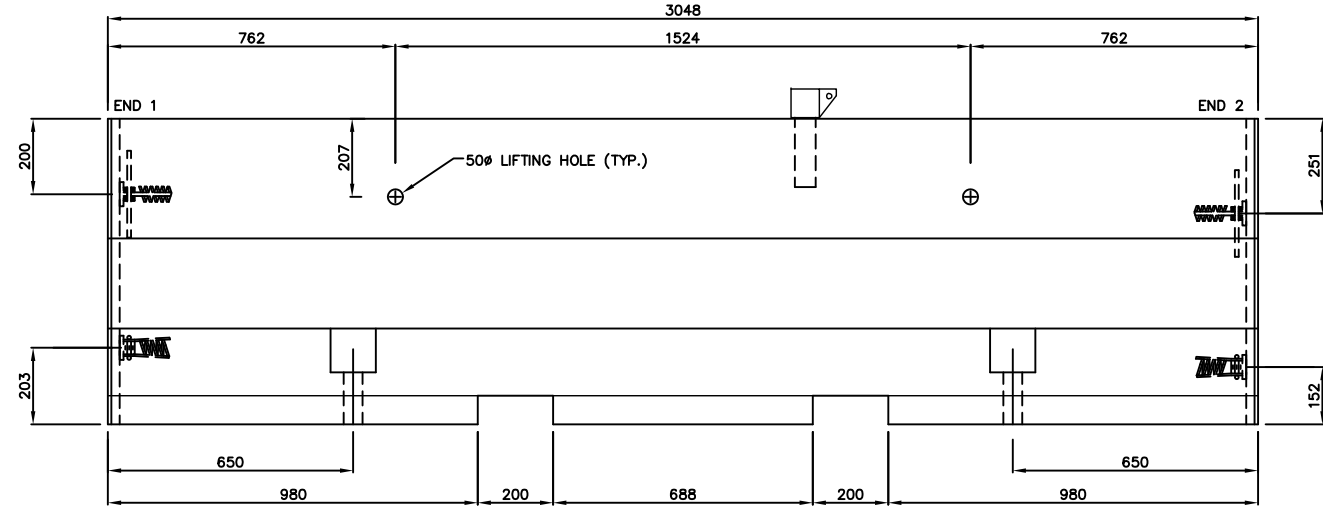
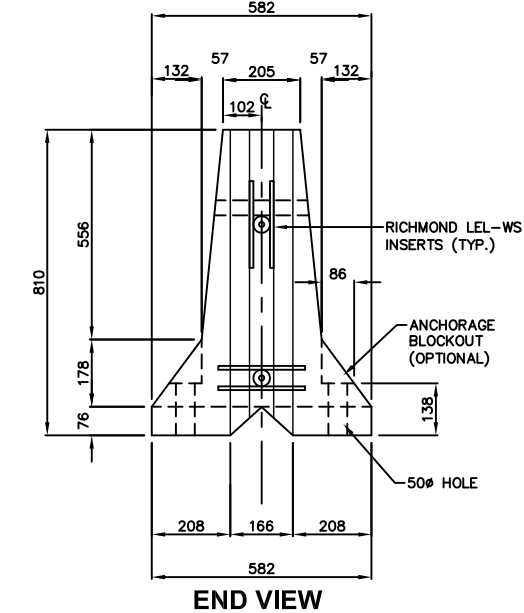


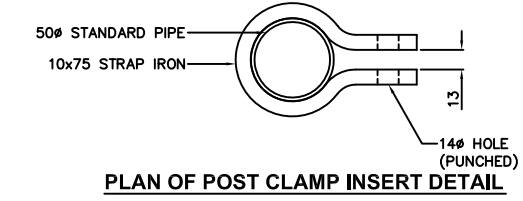
INSTALLATION OF BARRIERS DETAIL
NOTE: CONNECT END 1 TO END 2 USING RETAINING PIN & 13Ø BOLT



ELEVATION
SHOWING CONC. DETAILS

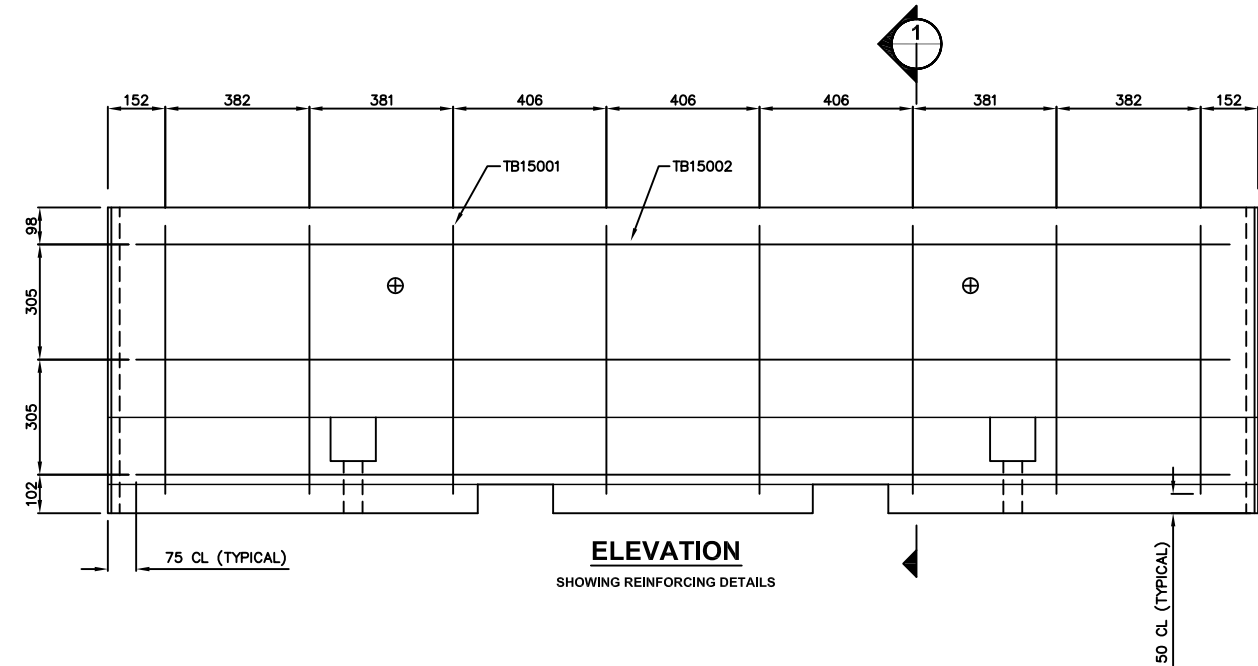


END VIEW

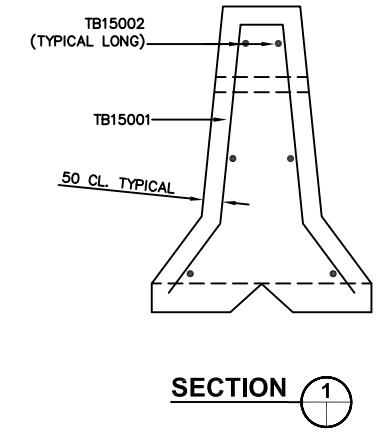


PLAN OF POST CLAMP INSERT DETAIL

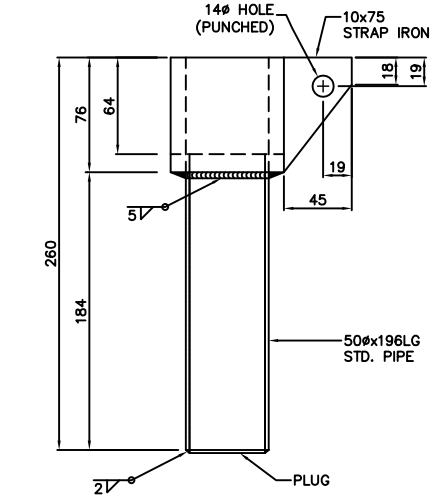
BILL OF REINFORCING STEEL FOR ONE CONC. BARRIER UNIT				
MARK	TYPE	LENGTH	NO. PER UNIT	BENDING DIAGRAM
TB15001	BENT	1600	8	
TB15002	STRAIGHT	2895	6	
ALL REINFORCING STEEL GRADE 400 MPa				
VOLUME OF CONC. PER UNIT = 0.79 m ³				
MASS OF EACH UNIT = 1890kg				



ELEVATION
SHOWING REINFORCING DETAILS



SECTION

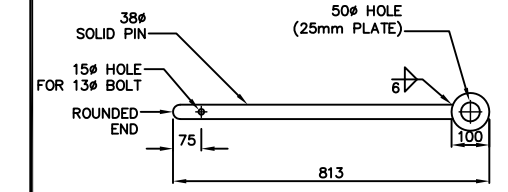


ELEVATION OF POST CLAMP INSERT
POST CLAMP INSERT DETAIL

SCALE 1:25
NOTE: FOR BARRIER CAST UPSIDE DOWN POST INSERTS MAY BE GROUTED INTO 70Ø FORMED HOLE.

METRIC
WHOLE NUMBERS INDICATE MILLIMETRES
DECIMALIZED NUMBERS INDICATE METRES

BILL OF MISCELLANEOUS METAL FOR ONE CONC. BARRIER UNIT	
NO.	DESCRIPTION
4	RICHMOND LEB-WS END LIFT INSERT FOR 25Ø LEB
4	RICHMOND LEB EYE BOLT 25Øx75 LONG
1	38Øx813 STEEL RETAINING PIN (SEE DETAIL)
1	13Øx75 LG BOLT C/W HEX NUT & 2 LOCK WASHERS
2	25Øx25 LG SOCKET HEAD SCREWS
1	POST CLAMP INSERT (SEE DETAIL)



STEEL RETAINING PIN DETAIL

NOTE: ALL MATERIAL IN THIS BILL TO BE COMPLETELY GALVANIZED AFTER FABRICATION

- GENERAL NOTES:**
- CONCRETE:
SPECIFIED COMPRESSIVE STRENGTH @ 28 DAYS = 40MPa
MAX. W/C RATIO = 0.4
AGGREGATE = 20mm NOMINAL
AIR CONTENT = 5 TO 8
 - STEEL FORM FINISH UNLESS OTHERWISE APPROVED.
 - MINIMUM CHAMFER ON ALL EDGES 13mm.
 - REBAR TO BE GRADE 400 MPa.
 - UNITS ARE DESIGNED TO BE INSTALLED BY HAVING AN END "1" CONNECTED TO AN END "2".
 - UNIT NO.'S TO START WITH 2 DIGIT YEAR DESIGNATION FOLLOWED BY 2 DIGIT PRODUCTION NO. (PRODUCTION UNIT NO. SHOWN IS FOR ILLUSTRATIVE PURPOSE ONLY).

NO.	REVISIONS	DATE	BY

DESIGNED BY		CHECKED BY	
MT		DNB	
DRAWN BY		APPROVED BY	
AP 03-09-11		DNB	
HOR. SCALE:		RELEASED FOR CONSTRUCTION	
1: 10		N/A	
VERTICAL:		DATE	
OR AS NOTED			

PROVINCE OF MANITOBA
ORIGINAL SIGNED BY:
D.N.
BURMEY
20/12/2017
REGISTERED PROFESSIONAL ENGINEER

THE CITY OF WINNIPEG
PUBLIC WORKS DEPARTMENT
ENGINEERING DIVISION

PRECAST CONCRETE PORTABLE TRAFFIC BARRIER

SHEET 1 OF 1
CAD FILE DRAWING NUMBER N/A
CITY DRAWING NUMBER CW-315