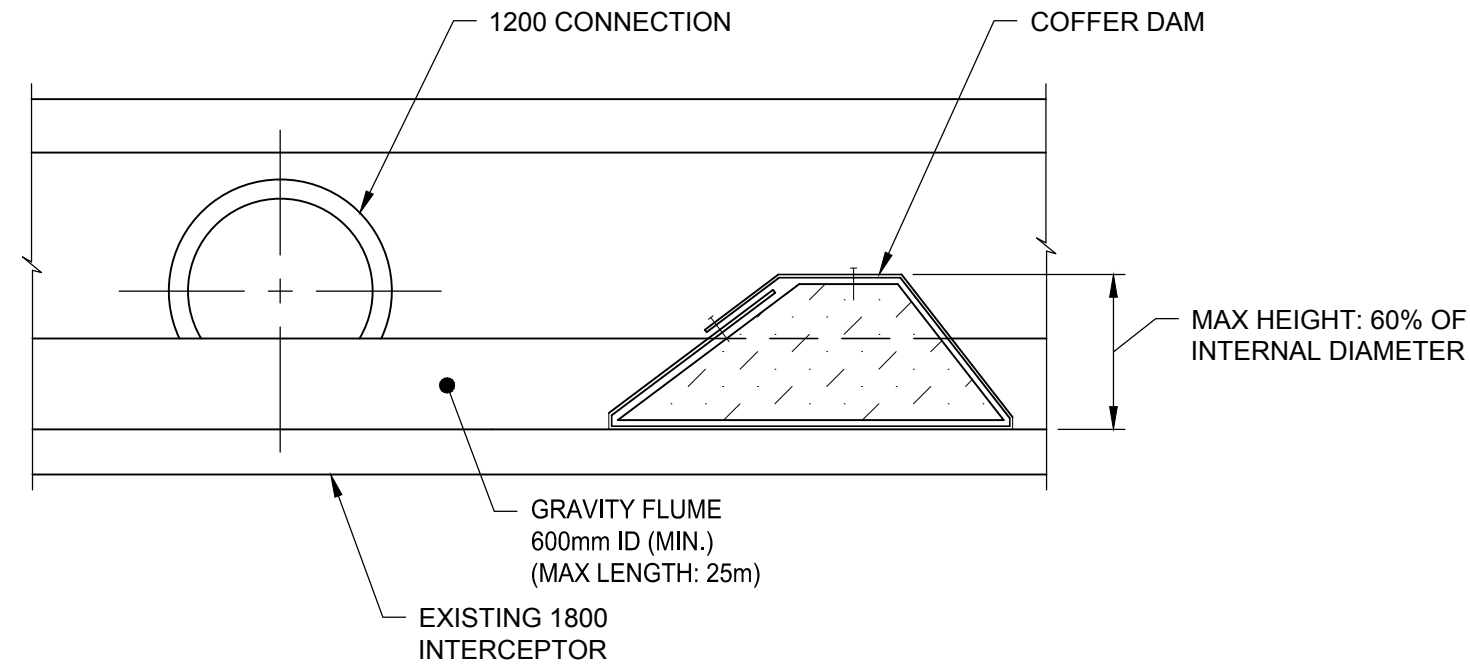


**1 | FLOW BYPASS OPTION -
INFLATABLE FLOW THROUGH PLUG**

Scale NTS



**2 | FLOW BYPASS OPTION -
COFFER DAM AND GRAVITY FLUME**

Scale NTS

Issue Status: FINAL

FLOW BYPASS OPTIONS

NORTH EAST INTERCEPTOR CROSSING

CITY OF WINNIPEG

Project No.: 60509089 Date: 2018-04-06

AECOM

Figure: 1