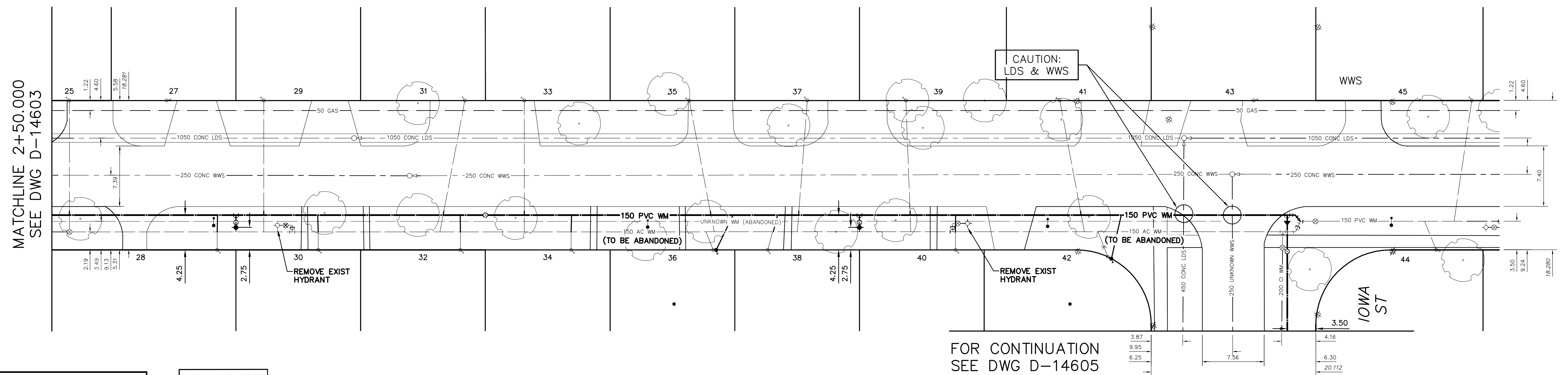
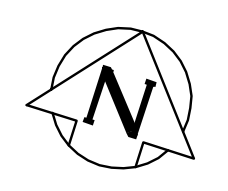


NOTE: CHAINAGES SHOWN ARE ALONG S. R. OF ABBOTSFORD CRES.
 ABBOTSFORD CRESCENT (N. LEG)

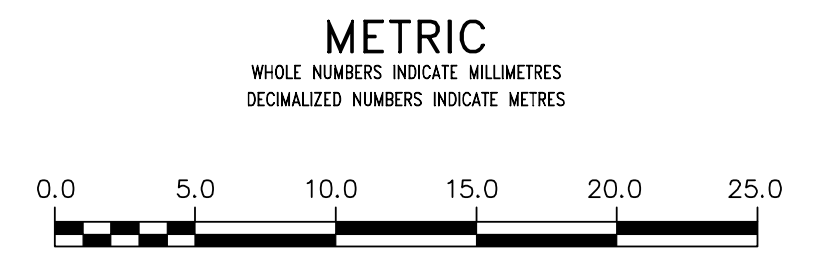
FOR WATER SERVICE TABLE SEE D-14602



FOR CONTINUATION SEE DWG D-14605

NOTE: ALL VALVES TO BE INSTALLED CLOCKWISE TO CLOSE

FOR INDEX SEE D-14601



WARNING
 IF POWER EQUIPMENT OR EXPLOSIVES ARE TO BE USED FOR EXCAVATION ON THIS PROJECT THE CONTRACTOR MUST:
 1) NOTIFY THE GAS COMPANY OF THE PROPOSED LOCATION OF EXCAVATION.
 2) TAKE PRECAUTION TO AVOID DAMAGE TO GAS COMPANY INSTALLATIONS.
 SEE PROVINCIAL REGULATION 210/72 FOR DETAILS

LOCATION APPROVED UNDERGROUND STRUCTURES
 SUPV. U/G STRUCTURES COMMITTEE DATE
 NOTE:
 LOCATION OF UNDERGROUND STRUCTURES AS SHOWN ARE BASED ON THE BEST INFORMATION AVAILABLE BUT NO GUARANTEE IS GIVEN THAT ALL EXISTING UTILITIES ARE SHOWN OR THAT THE GIVEN LOCATIONS ARE EXACT. CONFIRMATION OF EXISTENCE AND EXACT LOCATION OF ALL SERVICES MUST BE OBTAINED FROM THE INDIVIDUAL UTILITIES BEFORE PROCEEDING WITH CONSTRUCTION.

NO.	REVISIONS	DATE	BY

DESIGNED BY	MJK	CHECKED BY	SC
DRAWN BY	RJ	APPROVED BY	KZ
SCALE:			
HORIZONTAL	1: 250		
VERTICAL	1: 50		
DATE	2017 05 10		
PLOT DATE:	2017 05 10		
RELEASED FOR CONSTRUCTION	KAS ZUREK		
DATE	2017 05 09		

ENGINEER'S SEAL
 ORIGINAL SIGNED BY S.J.R. COURNOYER 17/05/09
 CONSULTANT DRAWING NUMBER

THE CITY OF WINNIPEG
 WATER AND WASTE DEPARTMENT
 ENGINEERING DIVISION
 2017 WATER MAIN RENEWALS
 CONTRACT 2
ABBOTSFORD CRESCENT (N. LEG)
 150 E OF ABBOTSFORD CRESCENT (W. LEG) TO IOWA STREET

SHEET 5 OF 18
 CITY DRAWING NUMBER
 D-14604

BID OPPORTUNITY: 157-2017 CONTRACT NUMBER: 2
 FILE PATH: R:\DRAWINGS\WATER\RENEWAL\2017 RENEWALS\CONTRACT 2\Construction\ FILE NAME: ABBOTSFORD.dwg