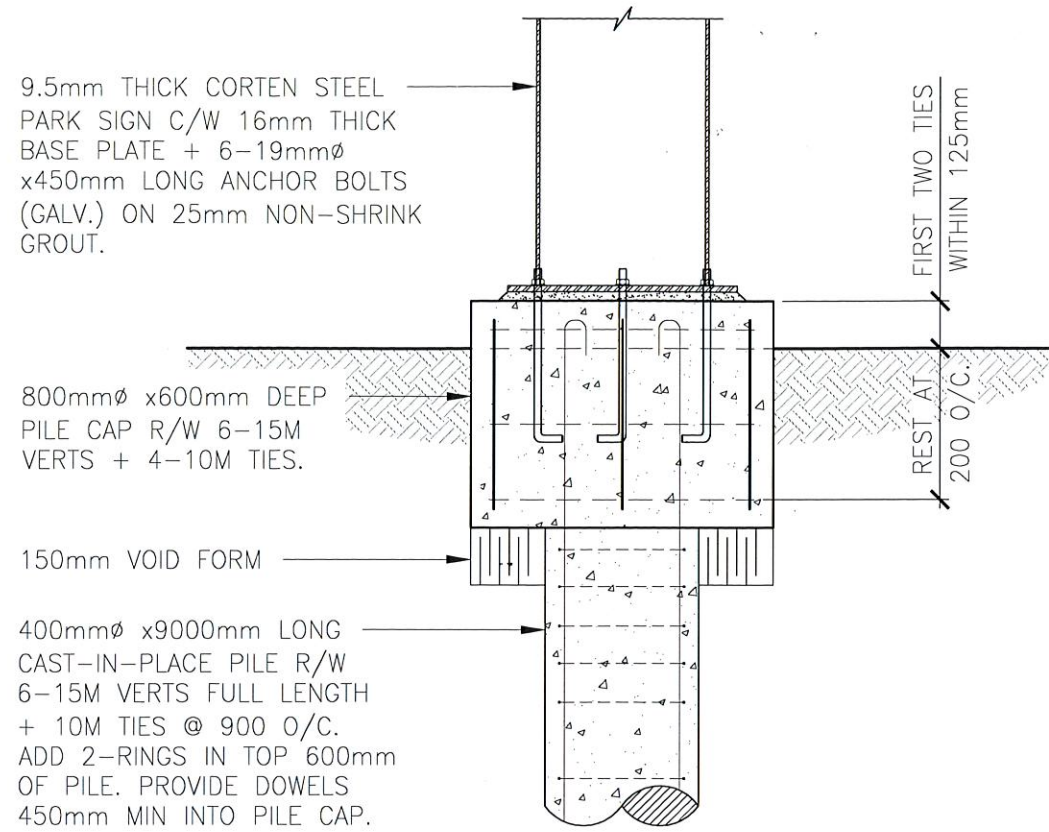
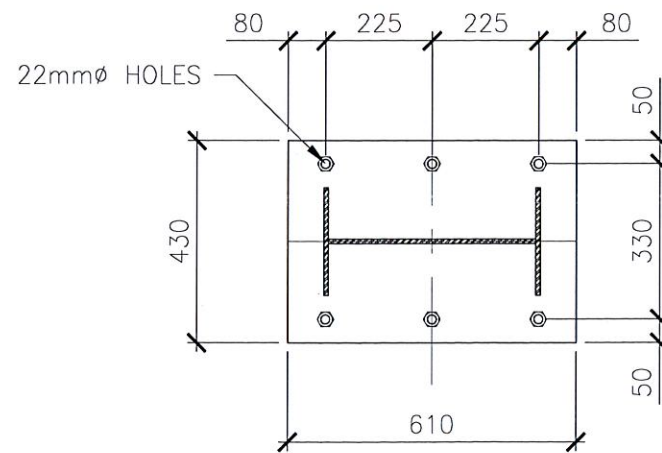


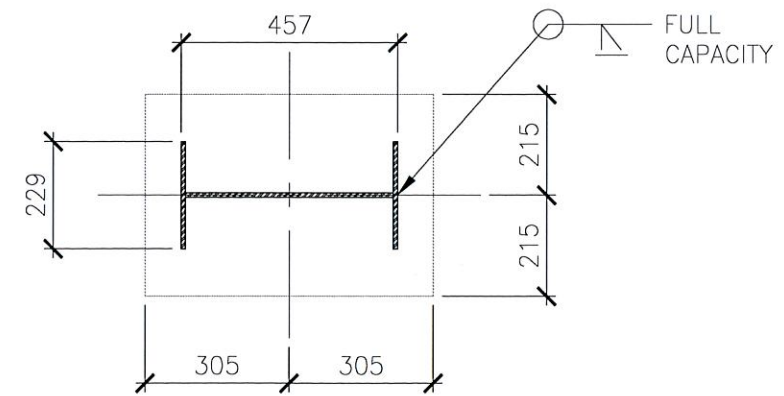
**1 CORTEN STEEL PARK SIGN PILING PLAN**  
S2.1 SCALE: 1:50



**2 PILE & PILE CAP DETAIL**  
S2.1 SCALE: 1:20



**3 BASE PLATE & ANCHOR LAYOUT DETAIL**  
S2.1 SCALE: N.T.S.



**4 CORTEN STEEL DETAIL**  
S2.1 SCALE: N.T.S.

**ISSUED FOR CONSTRUCTION**  
April 11, 2017



**APEGM**  
Certificate of Authorization  
Tower Engineering Group  
No. 4156 Expiry: April 30, 2018

**TOWER ENGINEERING GROUP**  
UNIT 1-1140 WAVERLEY ST.  
WINNIPEG, MB.  
TEL: (204) 925-1150  
FAX: (204) 925-1155

PROJECT TITLE: **REYKDAL FAMILY PARK WINNIPEG, MB**  
DRAWING TITLE: **CORTEN STEEL PARK SIGN PILING PLAN SECTIONS AND DETAILS**

FILE: 171178  
DATE: April 11, 2017  
DRAWING NO. / REVISION NO.  
**S2.1**