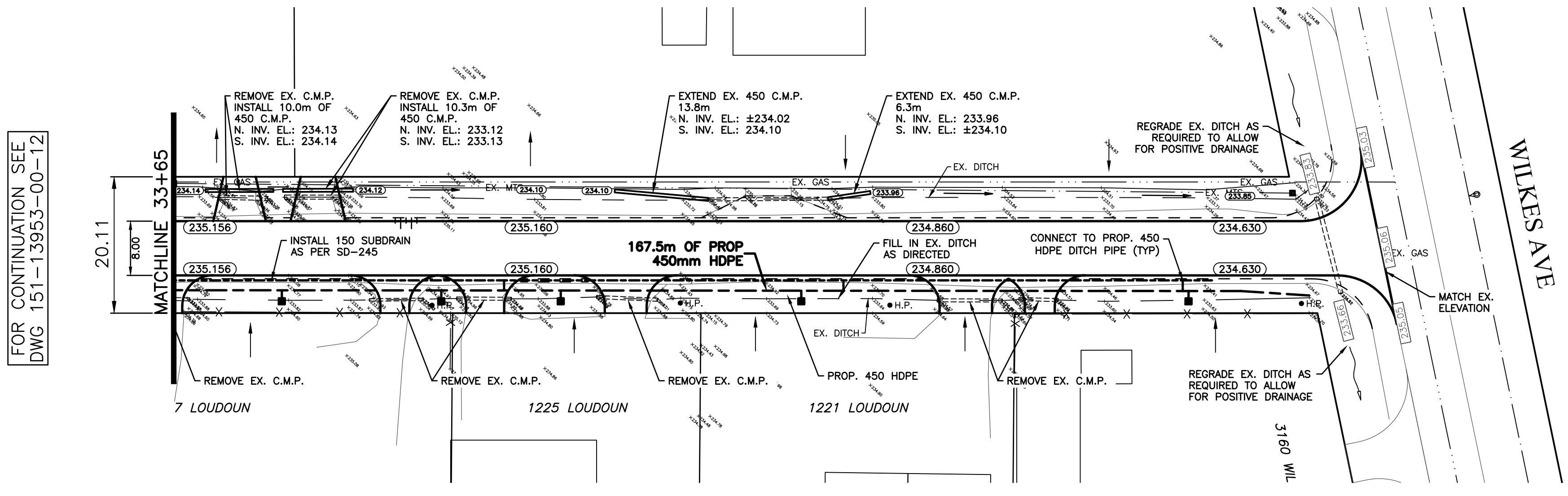
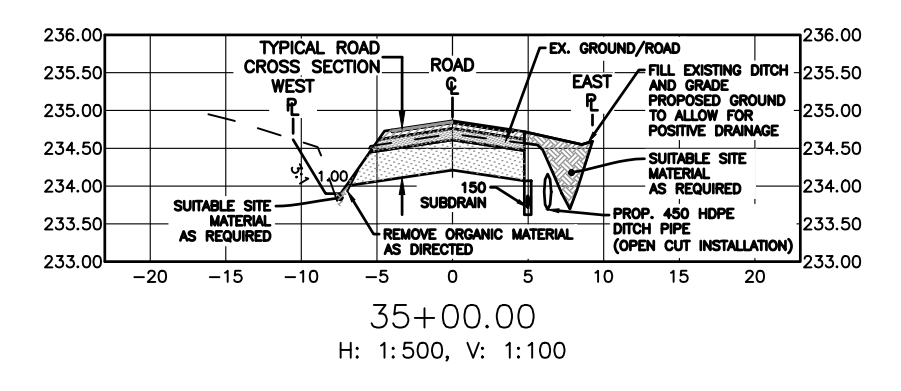
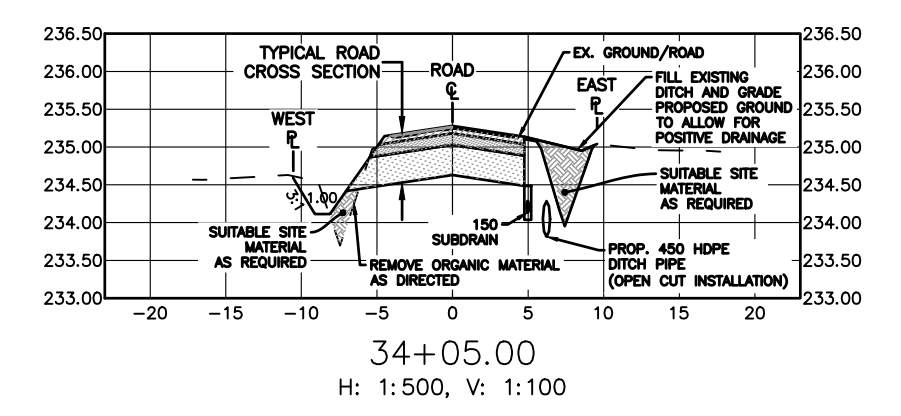
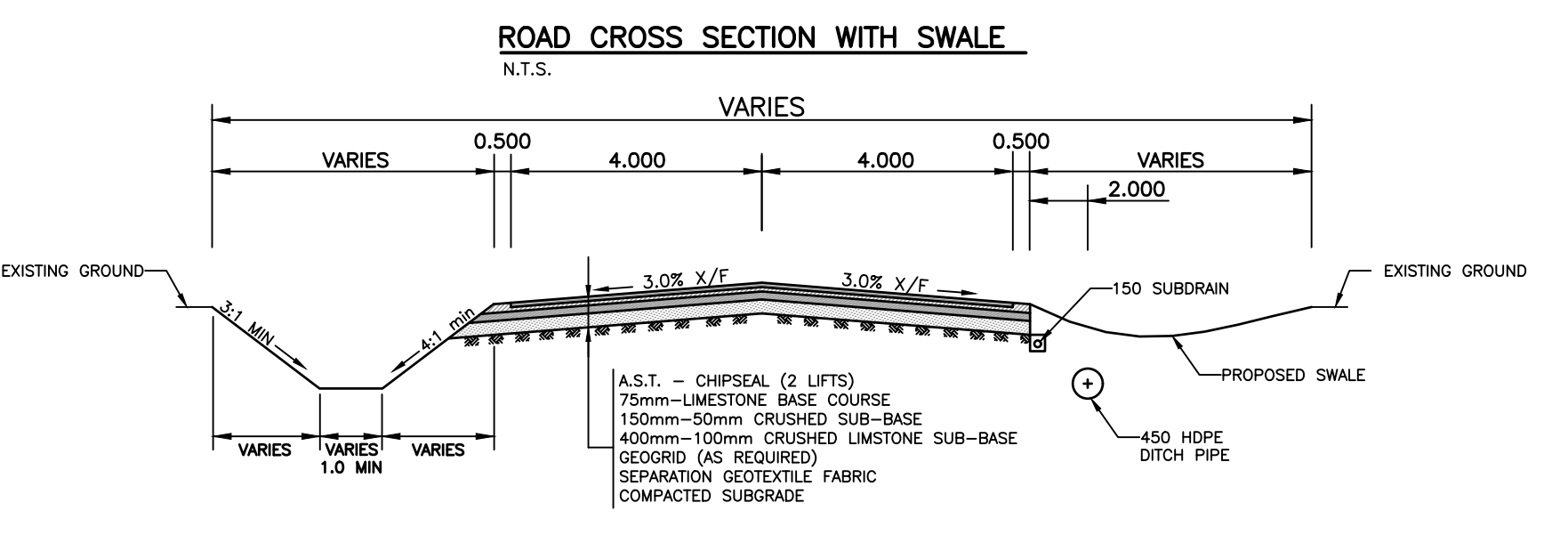


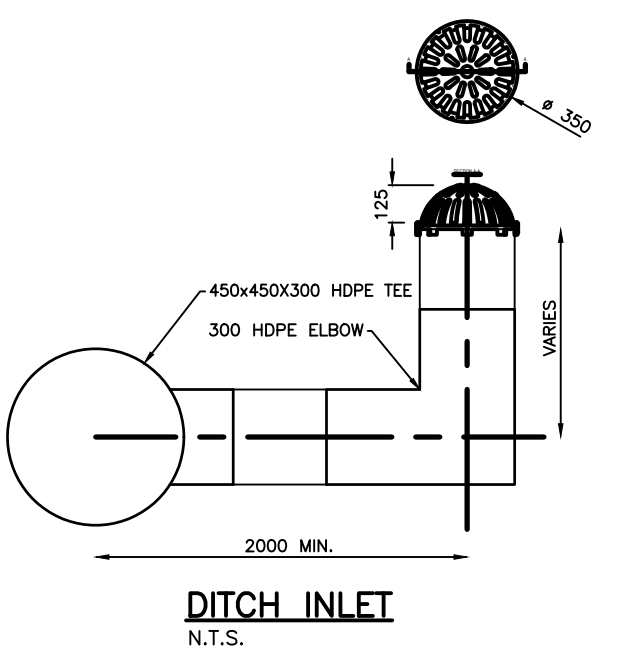
KEY PLAN

- GENERAL NOTES**
- ALL WORK TO CONFORM TO THE LATEST CITY OF WINNIPEG CONSTRUCTION SPECIFICATIONS
  - CLEARING AND GRUBBING LIMITS AS DIRECTED BY CONTRACT ADMINISTRATOR
  - ALL MANHOLES, VALVES AND OTHER APPURTENANCES TO BE ADJUSTED AS DIRECTED BY CONTRACT ADMINISTRATOR
  - ALL DITCHES TO BE REGRADED AS DIRECTED BY CONTRACT ADMINISTRATOR
  - REMOVAL OF ORGANIC MATERIAL AS DIRECTED BY CONTRACT ADMINISTRATOR
  - ALL PRIVATE APPROACHES TO BE REGRADED AND RESTORED AS DIRECTED BY CONTRACT ADMINISTRATOR
  - PREVENT DAMAGE TO EXIST TREES OUTSIDE OF WORK LIMITS
  - LANDSCAPING LIMITS AS DIRECTED BY CONTRACT ADMINISTRATOR

CHAINAGE ALONG CENTERLINE OF LOUDOUN ROAD R.O.W.



NOTE: CONTRACTOR TO BRACE EXISTING HYDRO POLES ADJACENT TO PROPOSED 450mm HDPE PIPE



DITCH INLET

"Description of property limits, and existing and/or proposed features relative to these limits as shown on this drawing do not represent a Legal Survey. WSP makes no representation or guarantee that the property limit information is accurate. WSP accepts no responsibility for damages, if any, suffered by any third party as a result of decisions made or actions based on this drawing."

EXISTING	LEGEND - PLAN	PROPOSED	EXISTING	LEGEND - PROFILE	PROPOSED	EXISTING	LEGEND - PLAN	PROPOSED	EXISTING	LEGEND - PROFILE	PROPOSED
---	WATERMAIN	---	M.T.S.	---	WATERMAIN	---	TRAFFIC SIGNAL	---	---	VALVE	---
---	HYDRANT	---	CONCRETE/ASPHALT	---	LAND DRAINAGE SEWER	---	CONCRETE/ASPHALT	---	---	WASTE WATER SEWER	---
---	VALVE	---	SIDEWALK	---	CENTERLINE	---	SIDEWALK	---	---	CENTERLINE	---
---	CURB STOP	---	CURB RAMP	---	SOUTH & EAST GUTTER	---	CURB RAMP	---	---	NORTH & WEST GUTTER	---
---	WASTE WATER SEWER	---	PROPERTY LINE	---	S. & E. PAD/GARG.	---	PROPERTY LINE	---	---	N. & W. PAD/GARG.	---
---	LAND DRAINAGE SEWER	---	ELEVATIONS	---	---	---	ELEVATIONS	---	---	---	---
---	C.B. LEAD	---	TEST HOLE LOCATION	---	---	---	TEST HOLE LOCATION	---	---	---	---
---	MANHOLE	---	CULVERT	---	---	---	CULVERT	---	---	---	---
---	CATCH BASIN	---	TREES	---	---	---	TREES	---	---	---	---
---	GAS	---	---	---	---	---	---	---	---	---	---
---	HYDRO	---	---	---	---	---	---	---	---	---	---

LOCATION APPROVED UNDERGROUND STRUCTURES		B.M. ELEV.	DESIGNED BY		CHECKED BY	
SUPV.	U/G STRUCTURES	DATE	R.H.	S.M.		
COMMITTEE						
NOTE:	LOCATION OF UNDERGROUND STRUCTURES AS SHOWN ARE BASED ON THE BEST INFORMATION AVAILABLE BUT NO GUARANTEE IS GIVEN THAT ALL EXISTING UTILITIES ARE SHOWN OR THAT THE GIVEN LOCATIONS ARE EXACT. CONFIRMATION OF EXISTENCE AND EXACT LOCATION OF ALL SERVICES MUST BE OBTAINED FROM THE INDIVIDUAL UTILITIES BEFORE PROCEEDING WITH CONSTRUCTION.					
01	ISSUED FOR TENDER	17/09/04	R.H.			
00	COW REVIEW SUBMISSION	17/02/03	R.H.			
NO.	REVISIONS	DATE	BY	DATE	DATE	DATE

**WSP**  
 1600 BUFFALO PLACE  
 WINNIPEG, MB, R3T 6B8  
 PHONE: 204-477-6650  
 FAX: 204-474-2864  
 WWW.WSPGROUP.COM

DESIGNED BY: R.H.  
 CHECKED BY: S.M.  
 DRAWN BY: R.H.  
 APPROVED BY: I.McK.  
 HOR. SCALE: 1:500  
 VERT. SCALE: 1:25  
 FEBRUARY 2016

ENGINEERS SEAL	
CONSULTANT DRAWING NO.	151-13953-00-13

**THE CITY OF WINNIPEG**  
 PUBLIC WORKS DEPARTMENT

**2016 GRANULAR RENEWALS**  
 LOUDOUN ROAD  
 FROM MATCHLINE AT STA. 33+65  
 TO WILKES AVENUE  
 CHIPSEAL PAVEMENT

CITY DRAWING NO. SHEET 13 OF 13  
 221-2017

**APEGM**  
 Certificate of Authorization  
 WSP Canada Inc.  
 No. 5750 Date: Month DD, YYYY