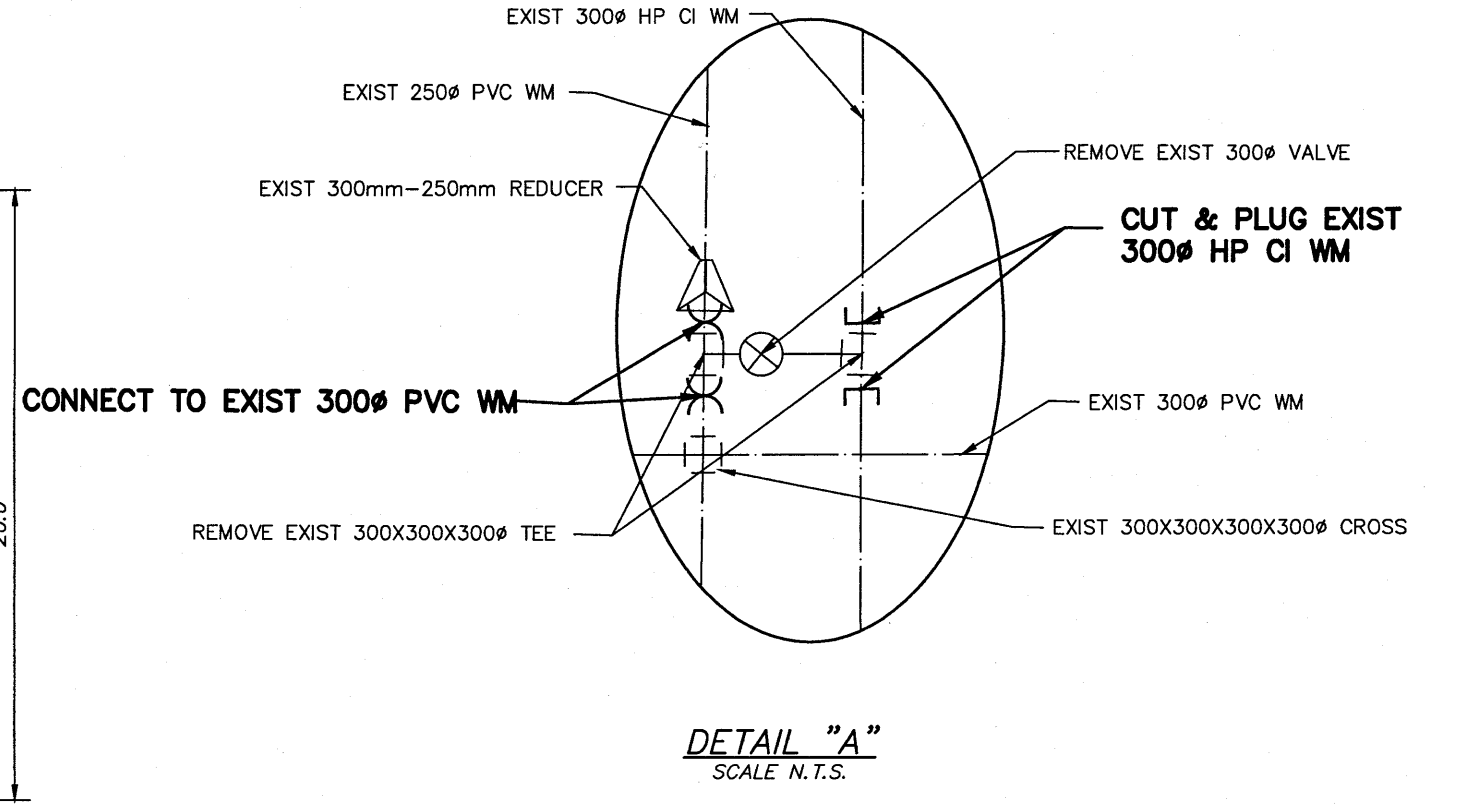
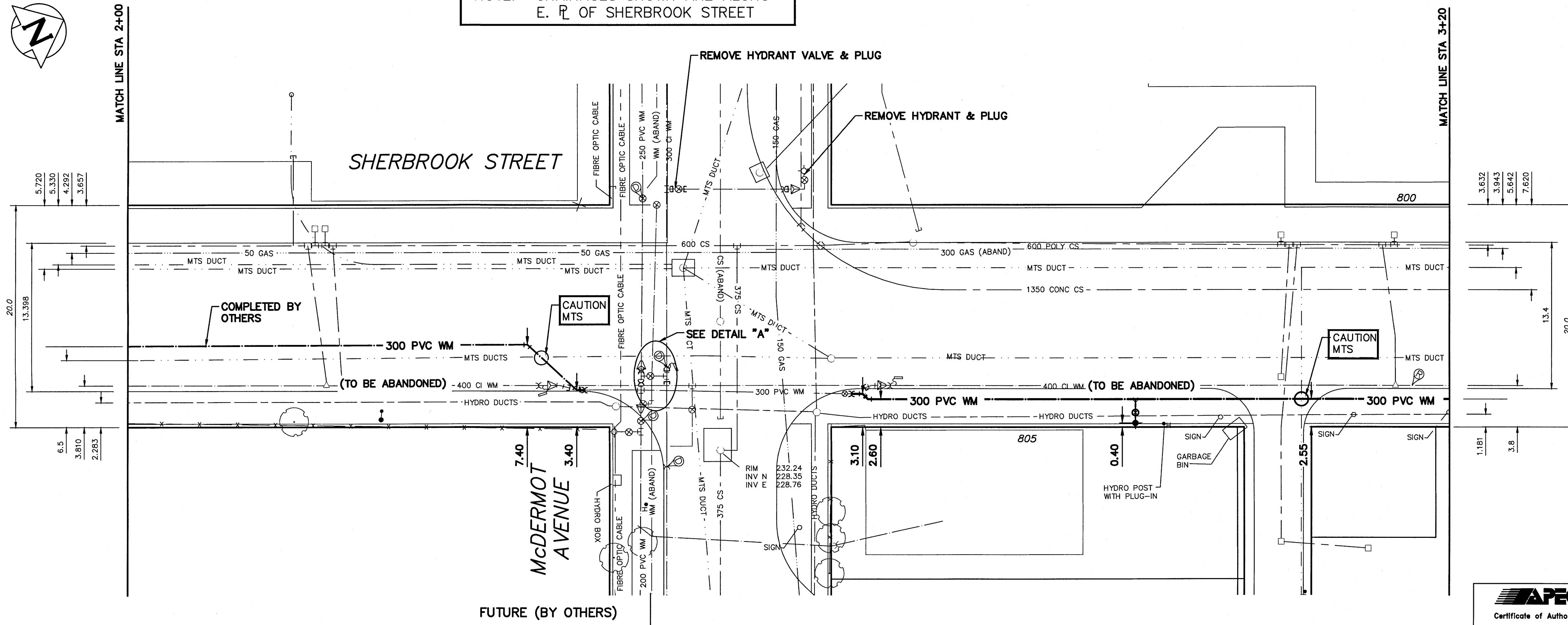
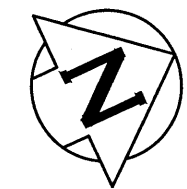
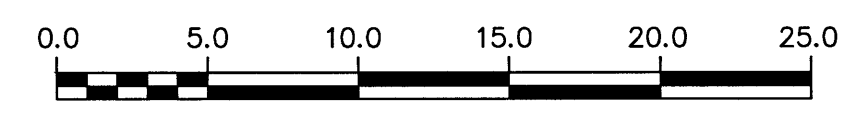


NOTE: CHAINAGES SHOWN ARE ALONG E. R. OF SHERBROOK STREET



PROPERTY LIMITS DELINEATION
 DELINEATION OF PROPERTY LIMITS AS SHOWN ON THIS DWG DOES NOT REPRESENT A "LEGAL SURVEY". KGS GROUP MAKES NO REPRESENTATION OR WARRANTY AS TO THE ACCURACY OF PROPERTY LIMITS DELINEATED ON THIS DWG, NOR ON THE DIMENSIONAL ACCURACY OF DWG FEATURES RELATIVE TO THOSE PROPERTY LIMITS.

METRIC
 WHOLE NUMBERS INDICATE MILLIMETRES
 DECIMALIZED NUMBERS INDICATE METRES
 NOTE: ALL VALVES TO BE INSTALLED COUNTERCLOCKWISE TO CLOSE



WARNING
 IF POWER EQUIPMENT OR EXPLOSIVES ARE TO BE USED FOR EXCAVATION ON THIS PROJECT THE CONTRACTOR MUST:
 1) NOTIFY THE GAS COMPANY OF THE PROPOSED LOCATION OF EXCAVATION.
 2) TAKE PRECAUTION TO AVOID DAMAGE TO GAS COMPANY INSTALLATIONS.
 SEE PROVINCIAL REGULATION 210/72 FOR DETAILS

LOCATION APPROVED UNDERGROUND STRUCTURES
 SUPPLY U/G STRUCTURES COMMITTEE DATE
 NOTE:
 LOCATION OF UNDERGROUND STRUCTURES AS SHOWN ARE BASED ON THE BEST INFORMATION AVAILABLE BUT NO GUARANTEE IS GIVEN THAT ALL EXISTING UTILITIES ARE SHOWN OR THAT THE GIVEN LOCATIONS ARE EXACT. CONFIRMATION OF EXISTENCE AND EXACT LOCATION OF ALL SERVICES MUST BE OBTAINED FROM THE INDIVIDUAL UTILITIES BEFORE PROCEEDING WITH CONSTRUCTION.

B.M. ELEV.	DATE	BY
0	ISSUED FOR CONSTRUCTION	17/04/18
NO.	REVISIONS	

KGS GROUP CONSULTING ENGINEERS

DESIGNED BY: T.L.E. CHECKED BY: [Signature]
 DRAWN BY: D.M.W. APPROVED BY: [Signature]
 SCALE: HORIZONTAL 1:250 VERTICAL 1:50
 RELEASED FOR CONSTRUCTION: [Signature]
 DATE: 2017 04 18

APEGN
 Certificate of Authorization
 KGS Group
 No. 245

ENGINEER'S SEAL
R.B. OFFMAN
 Member 24701
 REGISTERED PROFESSIONAL ENGINEER

CONSULTANT DRAWING NUMBER
 17-0107-001_C03

THE CITY OF WINNIPEG WATER AND WASTE DEPARTMENT ENGINEERING DIVISION

2017 WATER MAIN RENEWALS (CONTRACT 6)
SHERBROOK STREET
 NOTRE DAME AVENUE TO WILLAM AVENUE
 STA 2+44 TO STA 3+20

SHEET 3 OF 11
 CITY DRAWING NUMBER
 D-14633