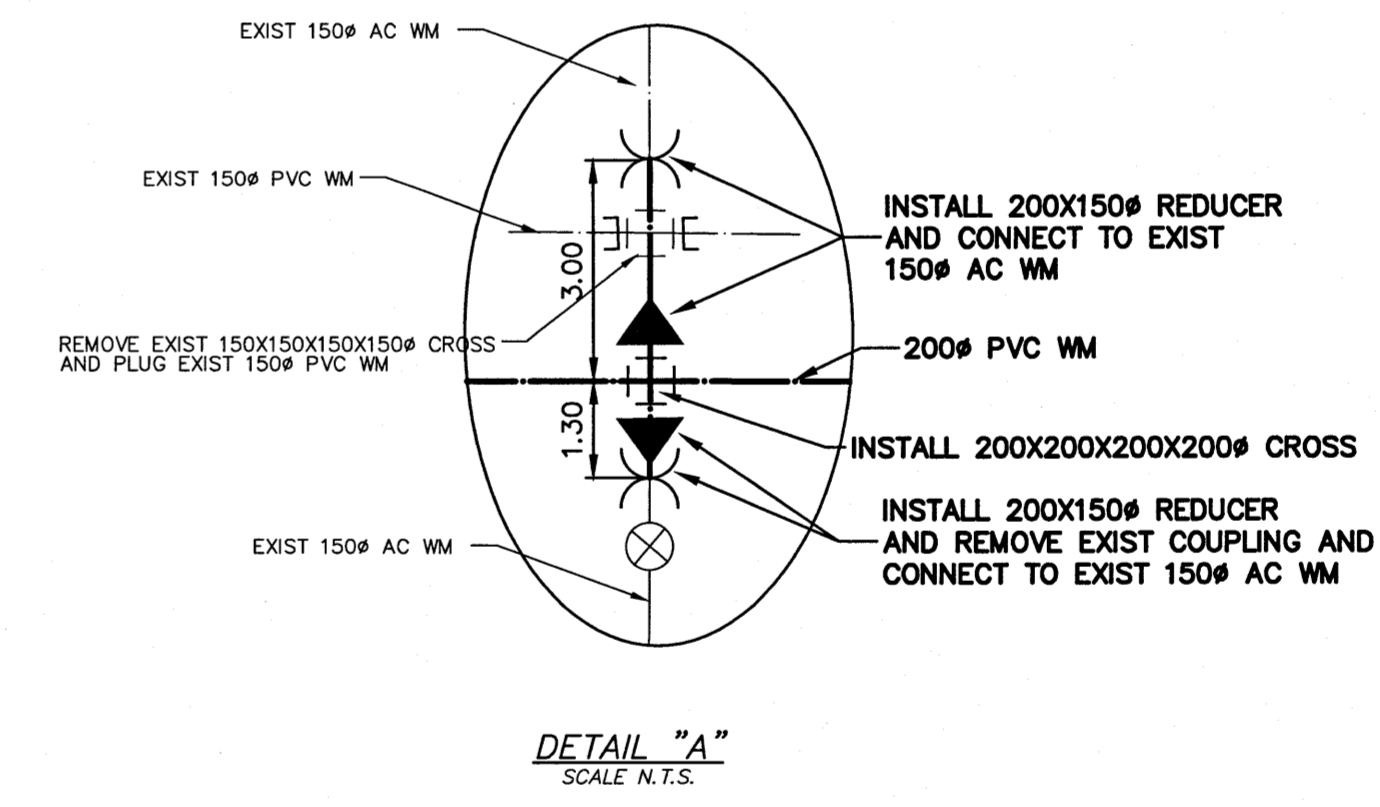
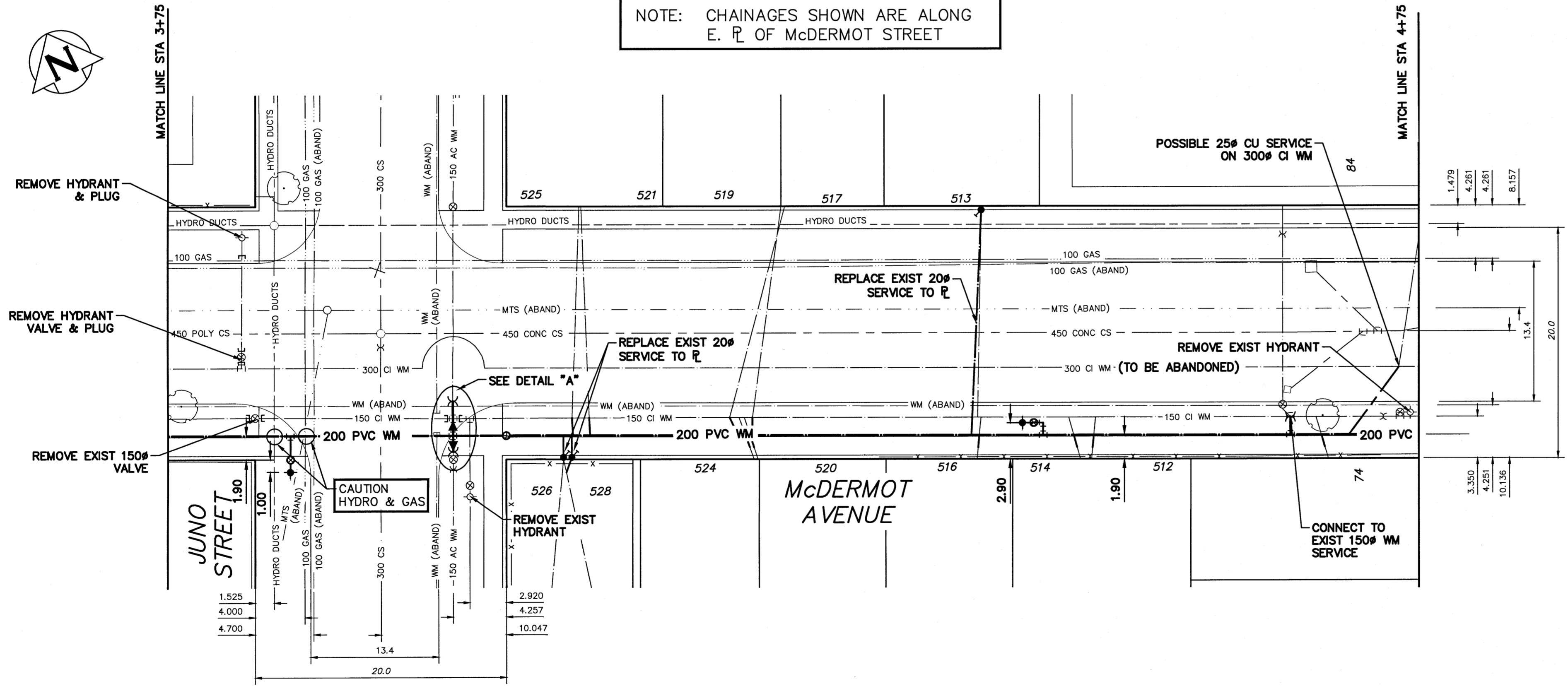


WATER SERVICE INFORMATION

ADDRESS	SIZE (mm) MATERIAL (STREET)	SIZE (mm) MATERIAL (PROP.)	SHORT & LONG MEASUREMENT	CORP. LOCATION	REMARKS
84 ISABEL ST	25	25	3.35 WEL BLDG	2.01 W S/C	POSSIBLY ON 300 CI HP WM
84 ISABEL ST	150	150	7.62 WEL ISABEL		
525 McDERMOT AVE	20	12	5.33 EWL HSE	0.61 W OF S/C	
521 McDERMOT AVE	20	12	5.79 EWL HSE	0.61 E OF S/C	
519 McDERMOT AVE	20	12	5.94 EWL HSE	2.29 W OF S/C	
517 McDERMOT AVE	20	12	0.91 EEL HSE	4.42 W OF S/C	
513 McDERMOT AVE	20	20	22.25 EEL JUNO		
528 McDERMOT AVE	12	20	2.13 WEL HSE		RENEW TO PL WITH 20 COPPER
528 McDERMOT AVE	12	12	4.27 EWL OF 528		RENEW TO PL WITH 20 COPPER
528 McDERMOT AVE	12	12	4.57 EEL JUNO		POSSIBLE "Y"
528 McDERMOT AVE	12	12	4.27 EWL OF 528		OPP S/C
528 McDERMOT AVE	12	12	4.57 EEL JUNO		RENEW TO PL WITH 20 COPPER
524 McDERMOT AVE	20	20	1.22 WEL #520	1.22 W OF S/C	
520 McDERMOT AVE	20	20	19.81 EEL OF JUNO		
520 McDERMOT AVE	20	20	1.22 WEL HSE	1.07 W OF S/C	
518 McDERMOT AVE	20	12	20.12 EEL JUNO		
518 McDERMOT AVE	20	12	1.40 WEL HSE	0.30 E OF S/C	
514 McDERMOT AVE	20	12	43.28 WEL OF ISABEL		
514 McDERMOT AVE	20	12	6.40 ESL HSE	0.91 W OF S/C	
512 McDERMOT AVE	20	12	35.05 WEL ISABEL		
512 McDERMOT AVE	20	12	3.49 WEL HSE	0.30 E OF S/C	
74 ISABEL ST	20	12	34.14 WEL OF ISABEL	1.00 W OF S.C.	
74 ISABEL ST	20	12	15.24 WEL BLDG		
74 ISABEL ST	20	12	15.24 WEL ISABEL		

* SERVICES TO BE RENEWED TO R. ALL OTHERS TO BE RECONNECTED

NOTE: CHAINAGES SHOWN ARE ALONG E. R. OF McDERMOT STREET

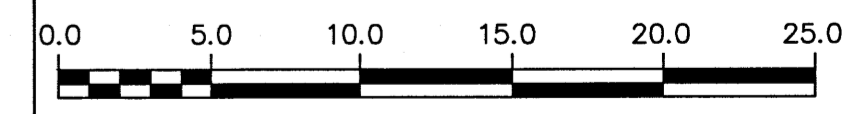


DETAIL "A"
SCALE: N.T.S.

METRIC
WHOLE NUMBERS INDICATE MILLIMETRES
DECIMALIZED NUMBERS INDICATE METRES

PROPERTY LIMITS DELINEATION
DELINEATION OF PROPERTY LIMITS AS SHOWN ON THIS DWG DOES NOT REPRESENT A "LEGAL SURVEY". KGS GROUP MAKES NO REPRESENTATION OR WARRANTY AS TO THE ACCURACY OF PROPERTY LIMITS DELINEATED ON THIS DWG, NOR ON THE DIMENSIONAL ACCURACY OF DWG FEATURES RELATIVE TO THOSE PROPERTY LIMITS.

NOTE: ALL VALVES TO BE INSTALLED COUNTERCLOCKWISE TO CLOSE



WARNING
IF POWER EQUIPMENT OR EXPLOSIVES ARE TO BE USED FOR EXCAVATION ON THIS PROJECT THE CONTRACTOR MUST:
1) NOTIFY THE GAS COMPANY OF THE PROPOSED LOCATION OF EXCAVATION.
2) TAKE PRECAUTION TO AVOID DAMAGE TO GAS COMPANY INSTALLATIONS.
SEE PROVINCIAL REGULATION 210/72 FOR DETAILS

LOCATION APPROVED UNDERGROUND STRUCTURES
SUPPLY U/G STRUCTURES COMMITTEE DATE
NOTE:
LOCATION OF UNDERGROUND STRUCTURES AS SHOWN ARE BASED ON THE BEST INFORMATION AVAILABLE BUT NO GUARANTEE IS GIVEN THAT ALL EXISTING UTILITIES ARE SHOWN OR THAT THE GIVEN LOCATIONS ARE EXACT. CONFIRMATION OF EXISTENCE AND EXACT LOCATION OF ALL SERVICES MUST BE OBTAINED FROM THE INDIVIDUAL UTILITIES BEFORE PROCEEDING WITH CONSTRUCTION.

NO.	ISSUED FOR CONSTRUCTION	DATE	BY
0	ISSUED FOR CONSTRUCTION	17/04/18	RSD

KGS GROUP CONSULTING ENGINEERS
DESIGNED BY: T.L.E.
DRAWN BY: D.M.W.
SCALE: HORIZONTAL 1:250, VERTICAL 1:50
DATE: 2017 04 18
CHECKED BY: [Signature]
APPROVED BY: [Signature]
RELEASED FOR CONSTRUCTION: [Signature]
DATE: 17 APR 2017

APECA
Certificate of Authorization
KGS Group
No. 245

THE CITY OF WINNIPEG
WATER AND WASTE DEPARTMENT
ENGINEERING DIVISION
2017 WATER MAIN RENEWALS (CONTRACT 6)
McDERMOT AVENUE
LYDIA STREET TO HARRIET STREET
STA 3+75 TO STA 4+75

ENGINEER'S SEAL
R.B. OFFMAN
Member 24701
REGISTERED PROFESSIONAL ENGINEER

CONSULTANT DRAWING NUMBER: 17-0107-001_C08

SHEET 7 OF 11
CITY DRAWING NUMBER: D-14638