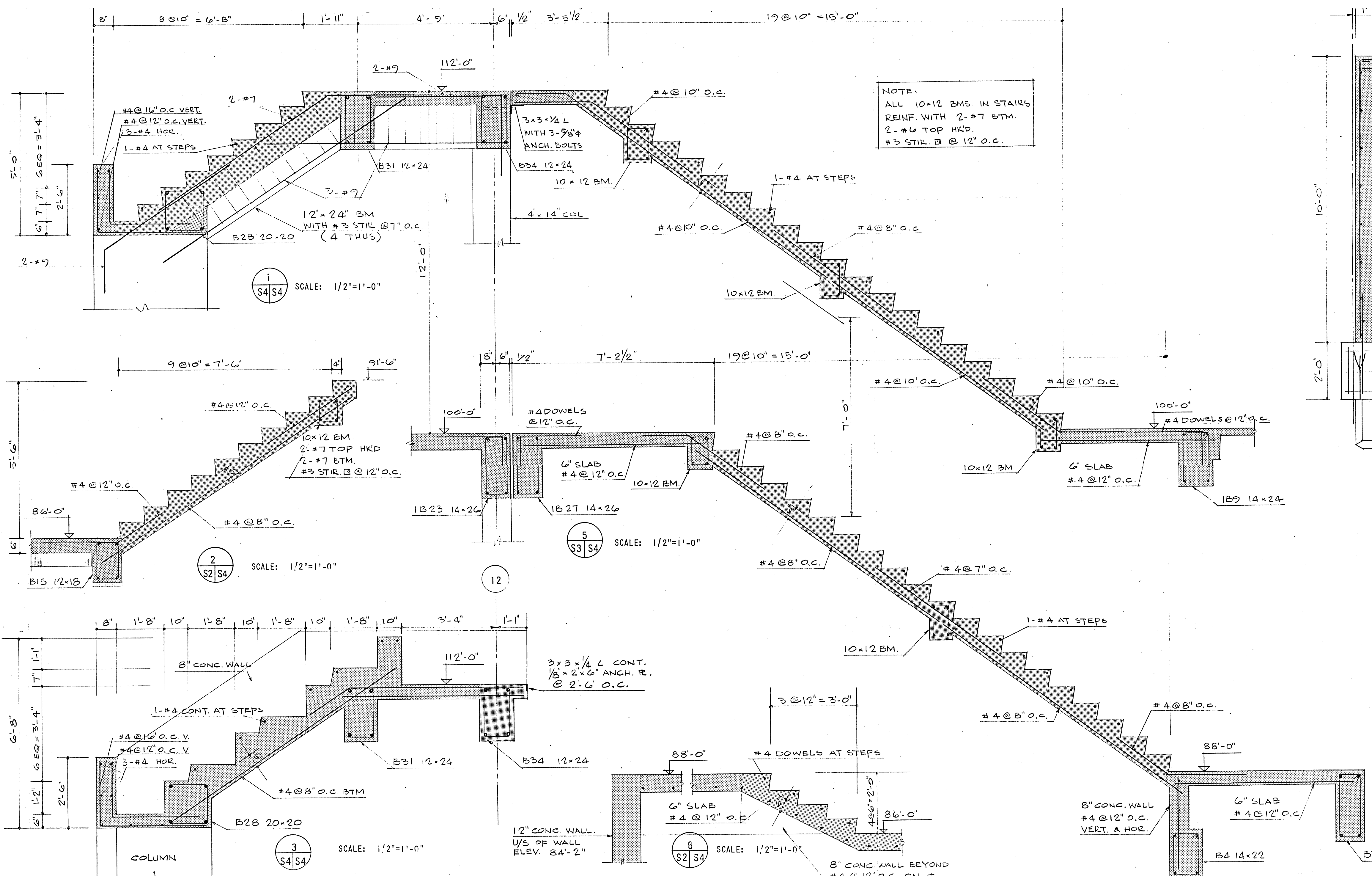
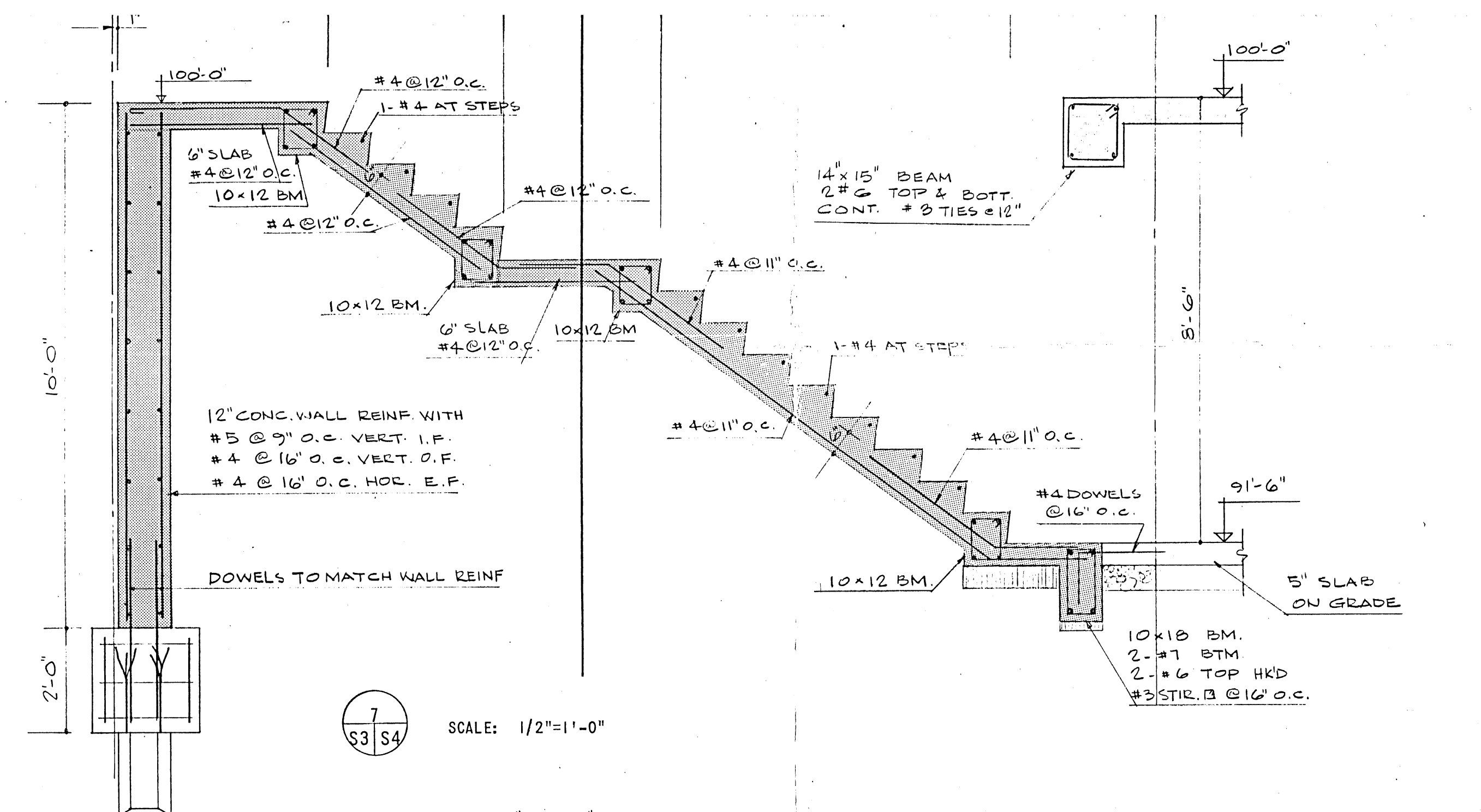


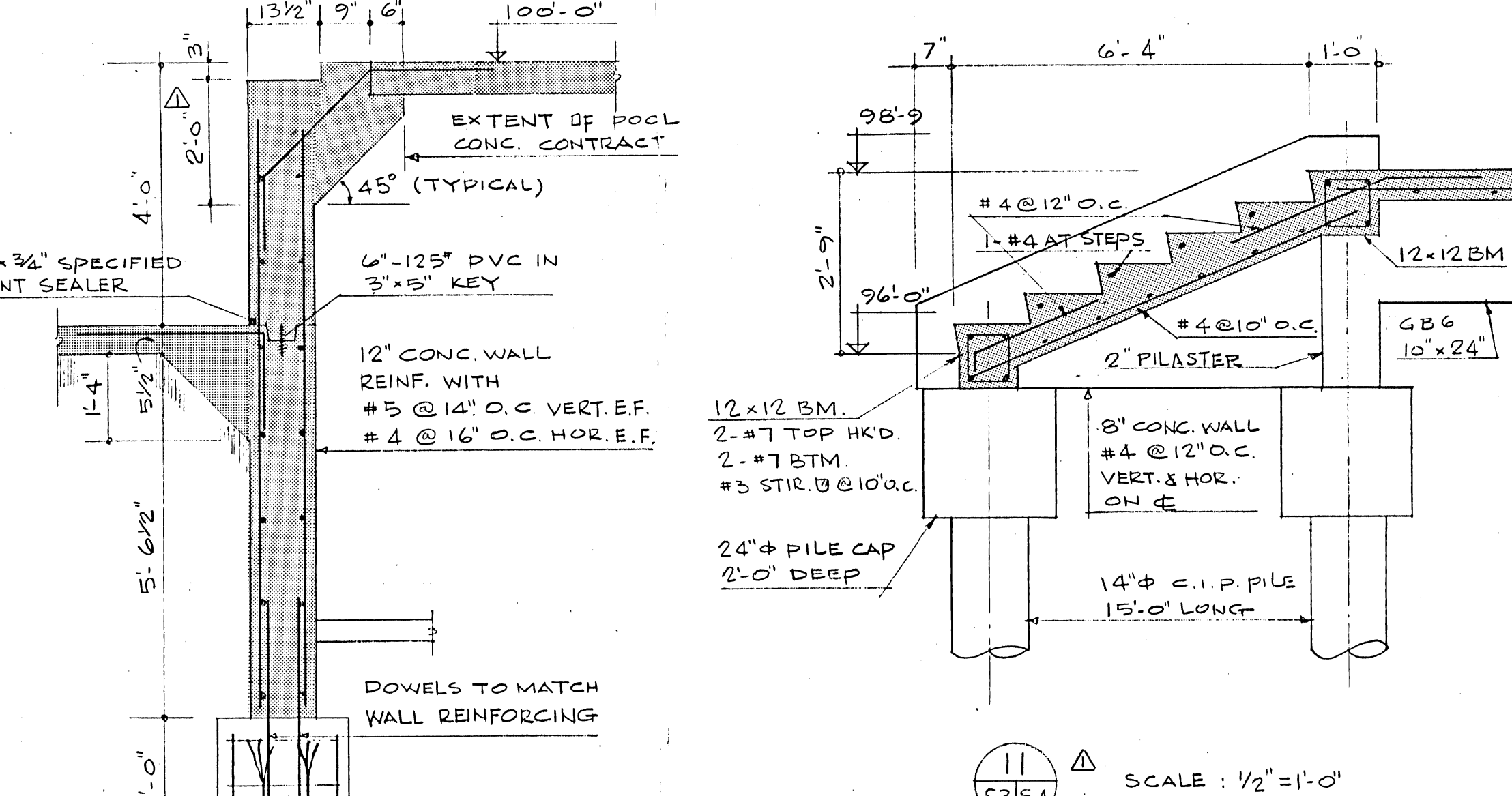
SPECTATORS LEVEL FRAMING PLAN
SCALE: 1/8"=1'-0"



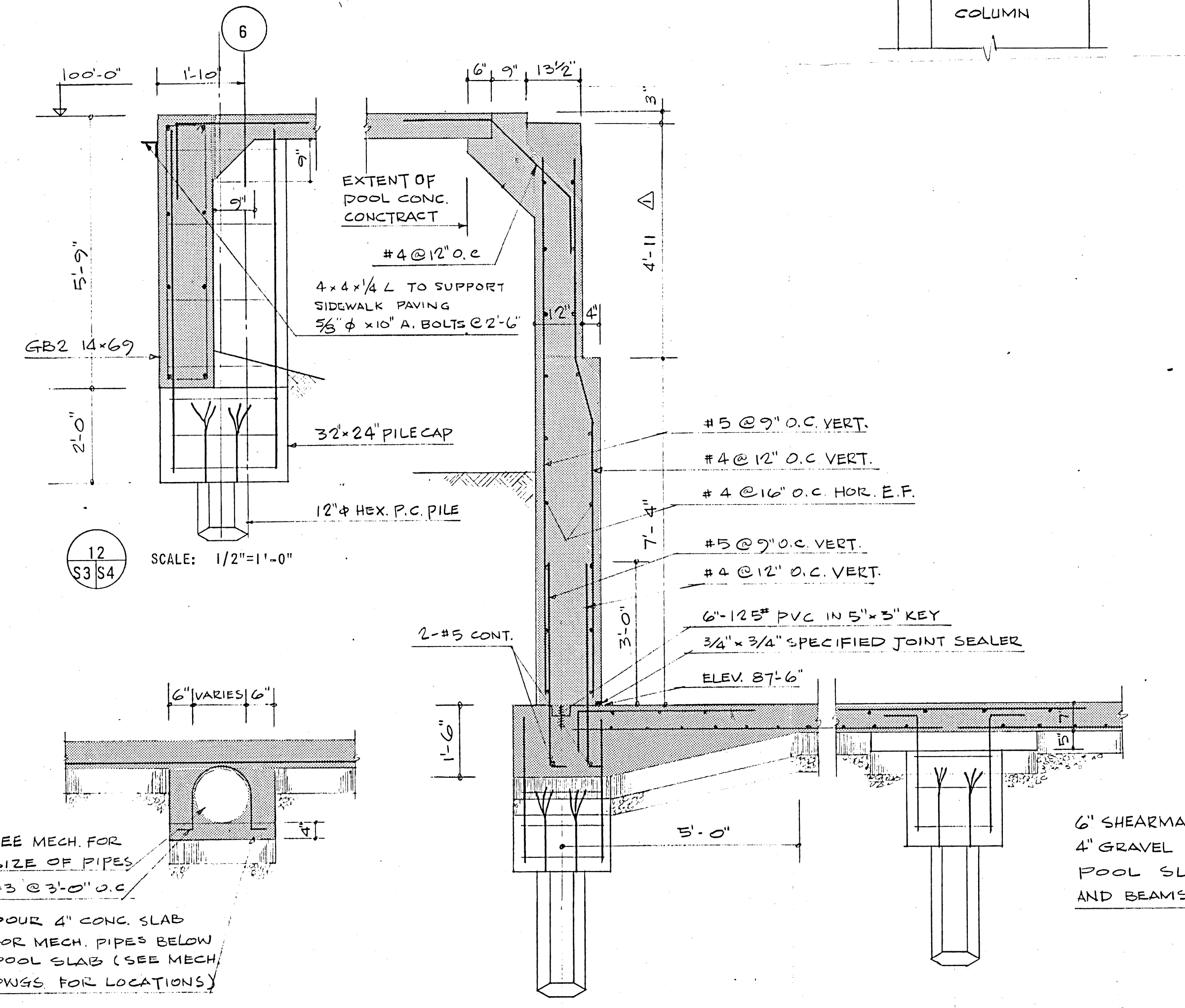
NOTE:
ALL 10x12 BEAMS IN STAIRS
REINF. WITH 2-#7 BTM.
2-#6 TOP HKD.
#3 STIC @ 12" O.C.



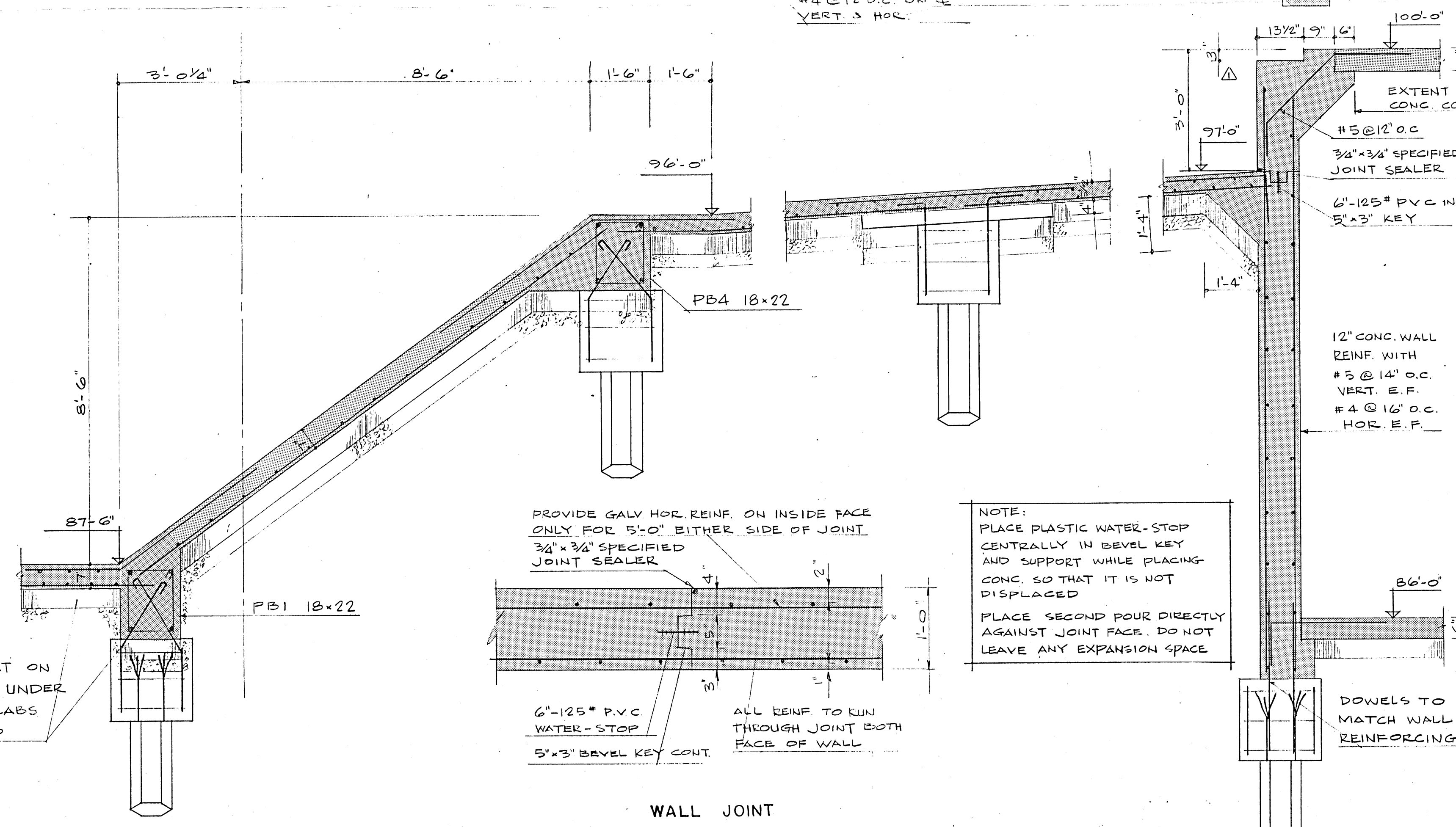
7
SCALE: 1/2"=1'-0"



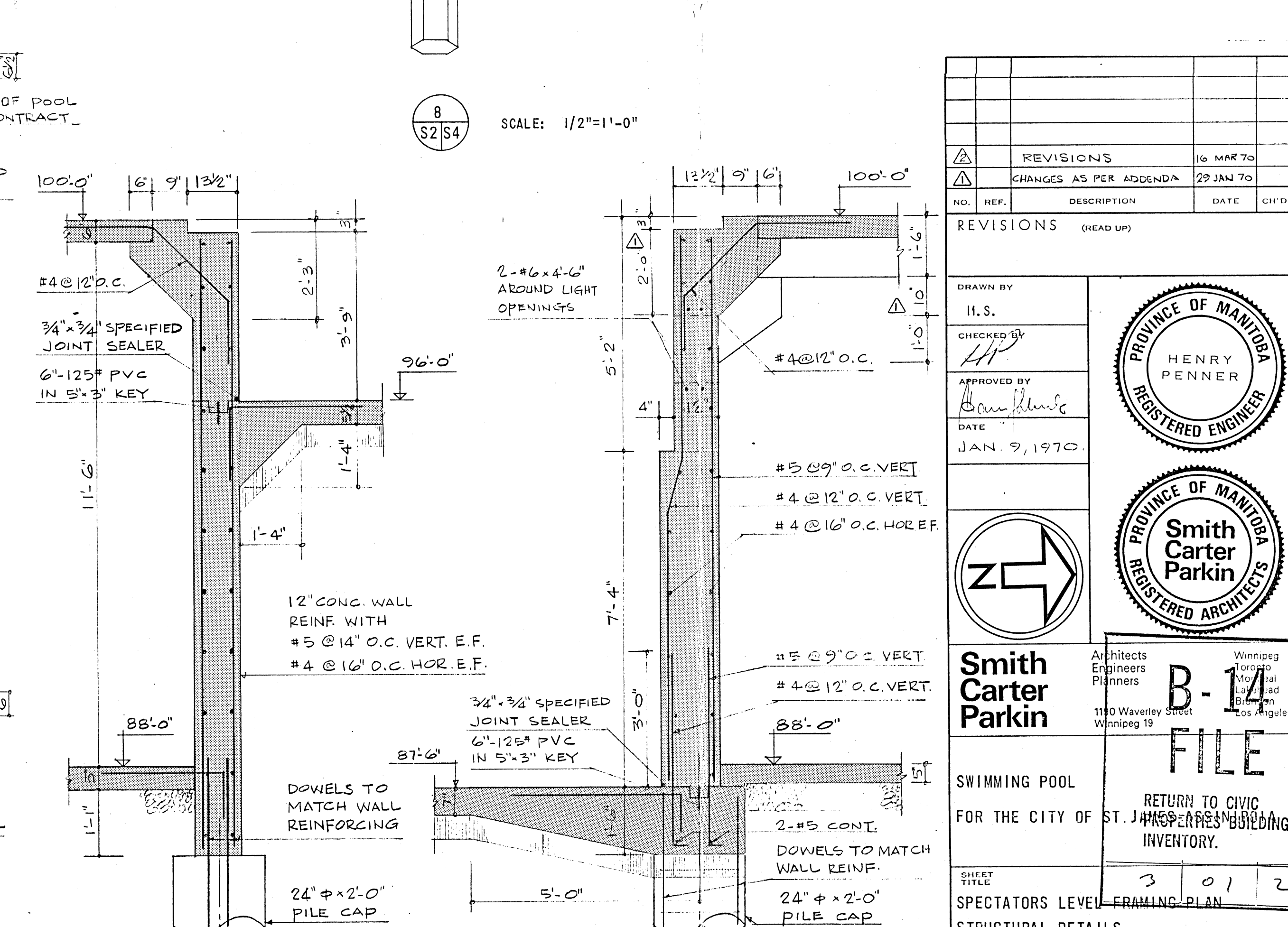
8
SCALE: 1/2"=1'-0"



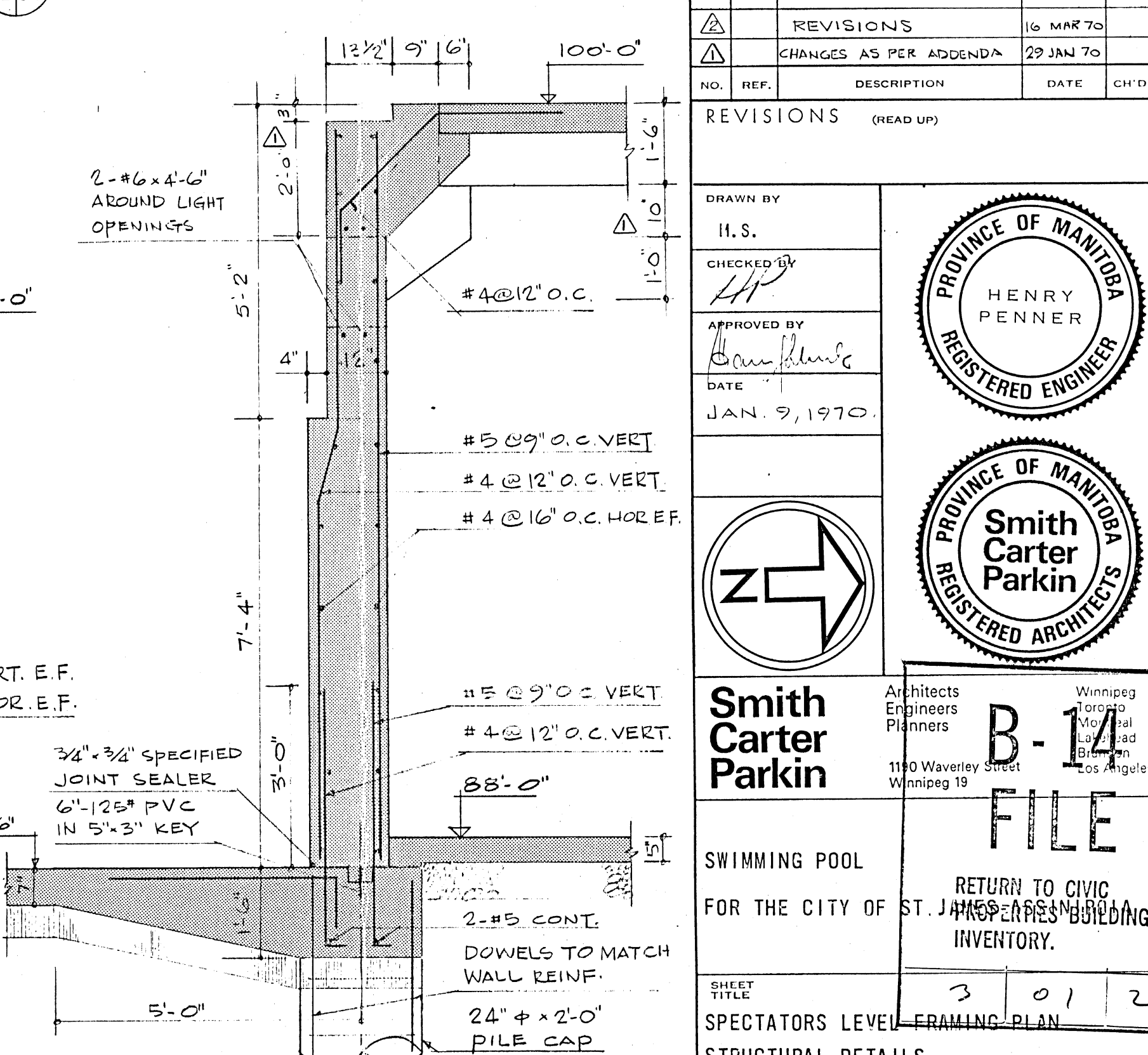
12
SCALE: 1/2"=1'-0"



4
SCALE: 1"=1'-0"



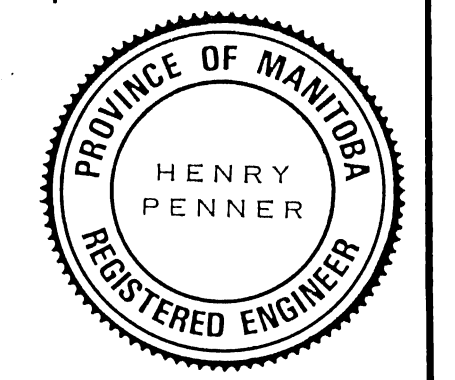
9
SCALE: 1/2"=1'-0"



10
SCALE: 1/2"=1'-0"

NO.	REV.	DESCRIPTION	DATE	CHKD.
1		REVISIONS	16 MAR 70	
2		CHANGES AS PER AGENDA	29 JAN 70	

DRAWN BY: H.S.
CHECKED BY: [Signature]
APPROVED BY: [Signature]
DATE: JAN 9, 1970



Smith Carter Parkin
Architects
Engineers
Planners
1100 Waterway
Winnipeg 19
B-17
FILE
RETURN TO CIVIC ENGINEERING DIVISION INVENTORY.

SWIMMING POOL
FOR THE CITY OF ST. JAMES
STRUCTURAL DETAILS
SHEET NO. 3012
SCALE: 1/8"=1'-0", 1/2"=1'-0"
FILE NUMBER: 68448
SHEET NUMBER: S 4R