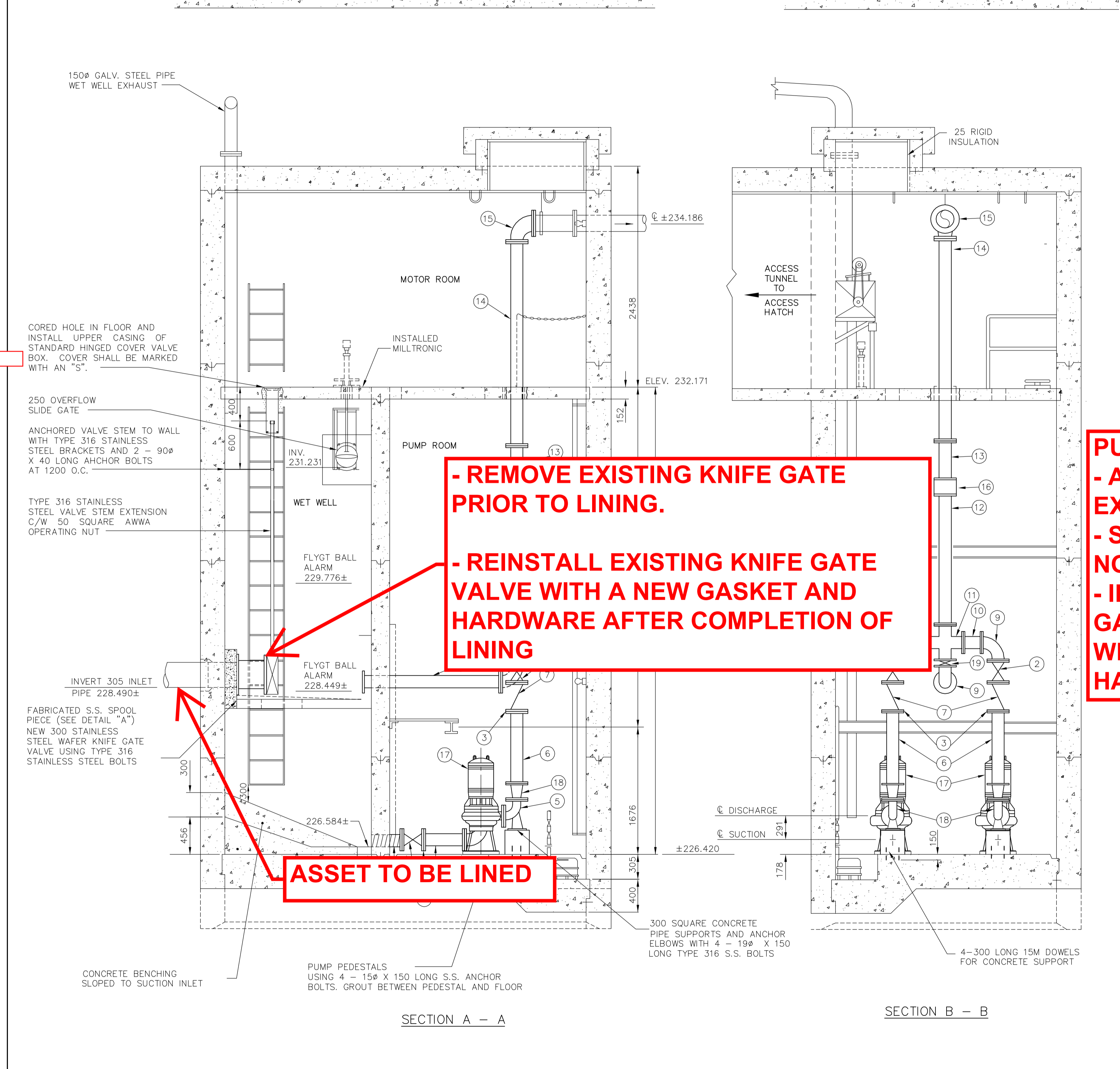


# BID OPPORTUNITY 261-2017 SEWER ASSET: S-MA70019746 (BARKER BLVD) BARKER PUMPING STATION MODIFICATIONS

PAVEMENT  
ELEV. 236.982±

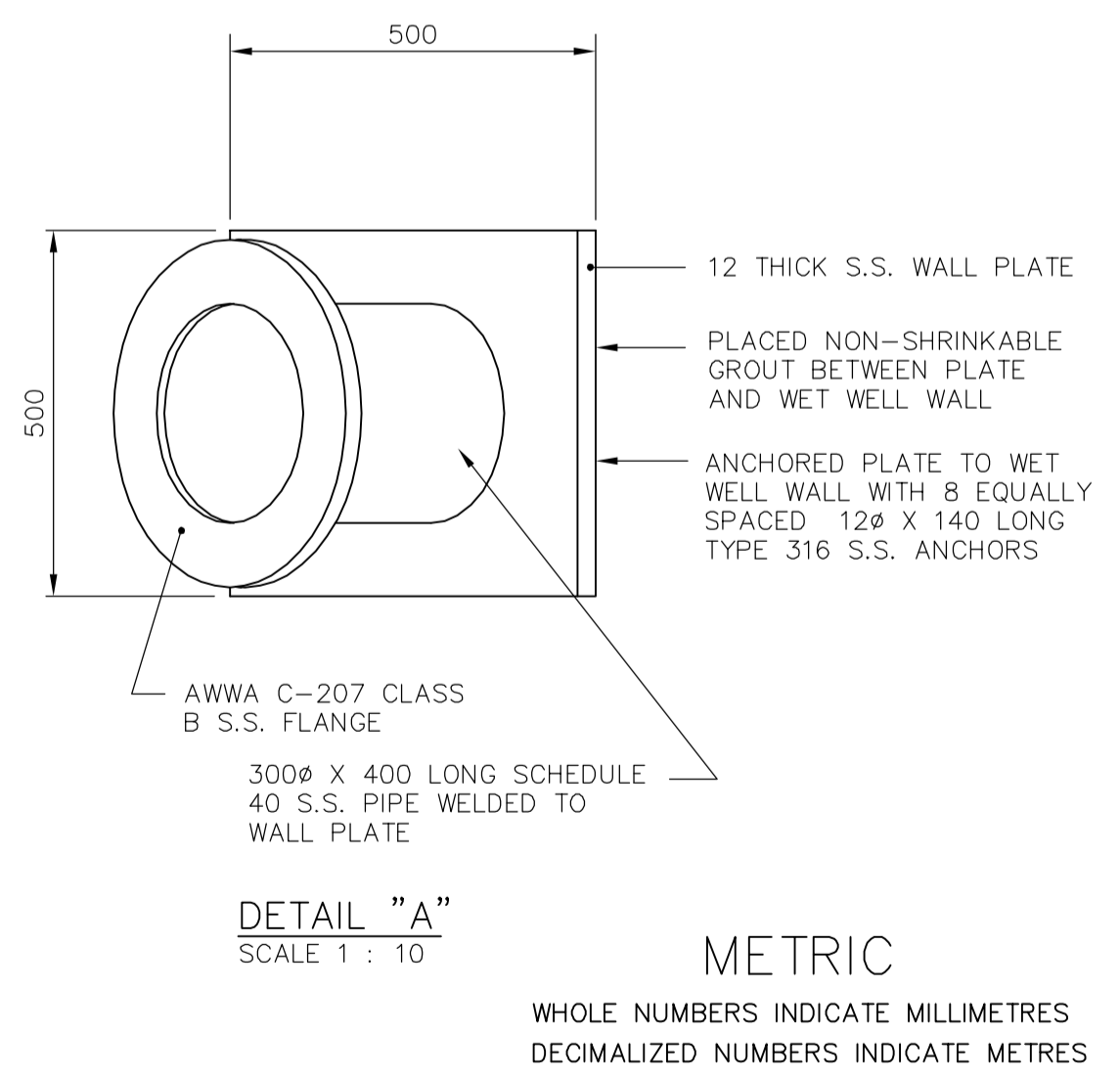
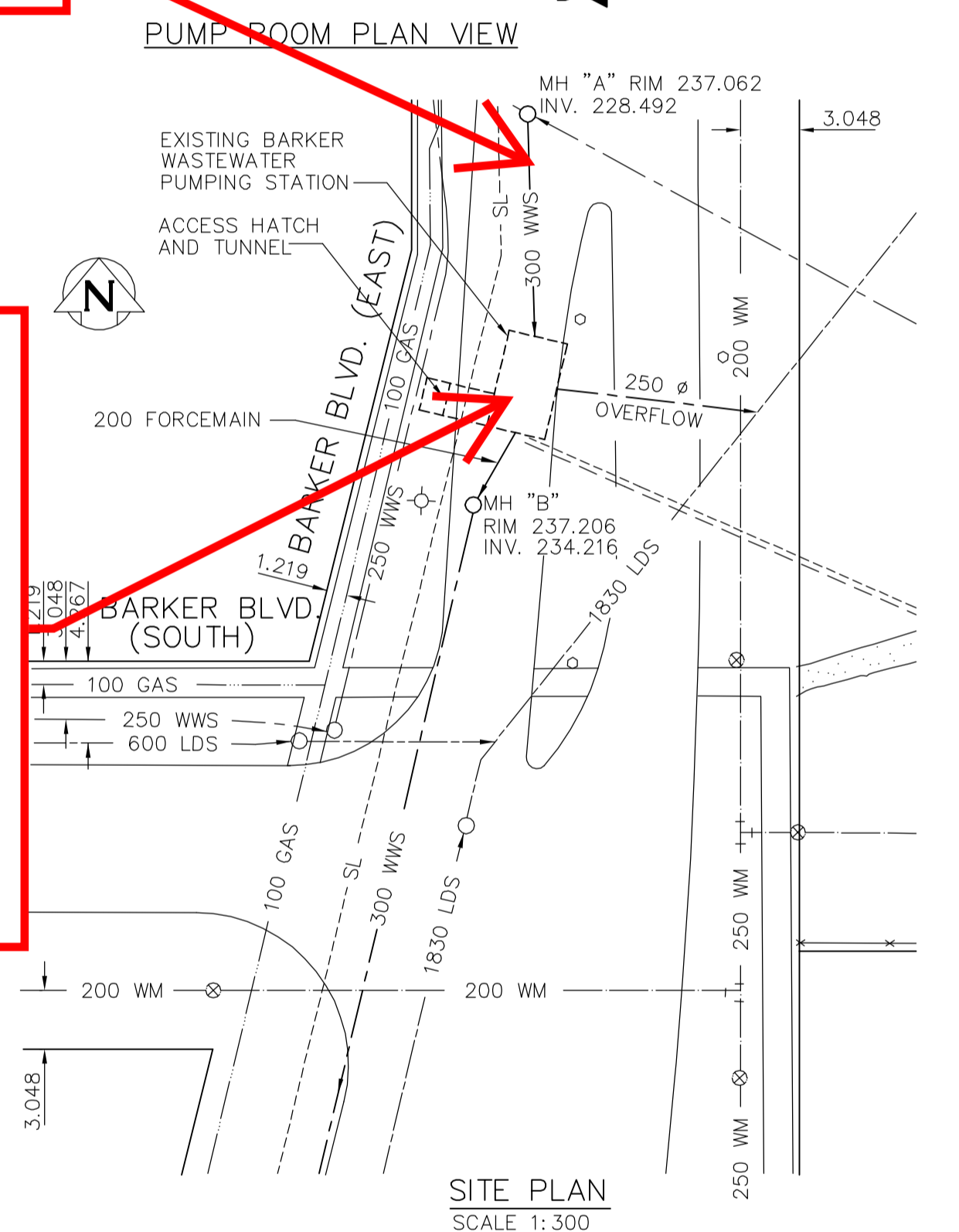
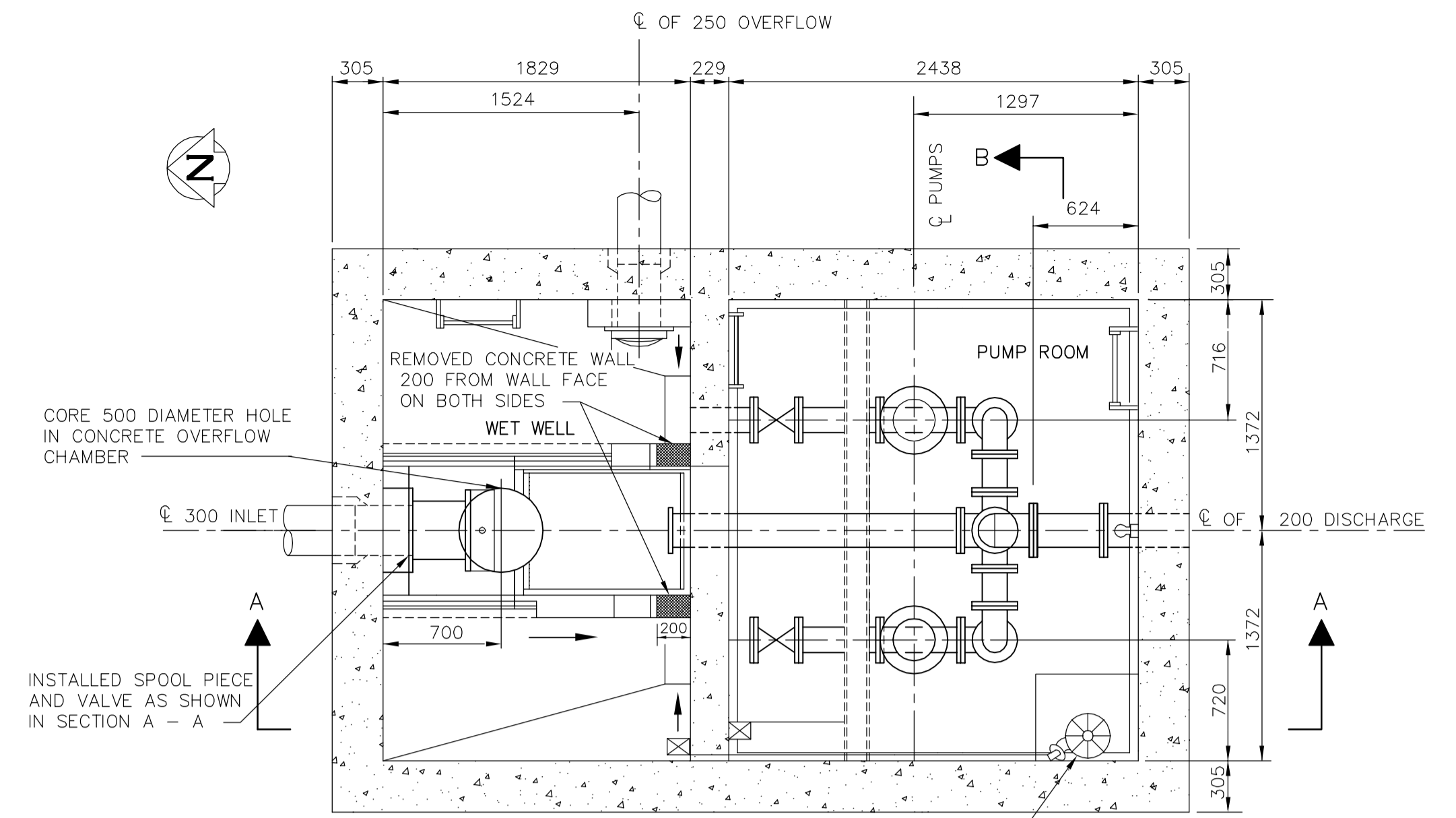


- REMOVE EXISTING KNIFE GATE  
 PRIOR TO LINING.  
 - REINSTALL EXISTING KNIFE GATE  
 VALVE WITH A NEW GASKET AND  
 HARDWARE AFTER COMPLETION OF  
 LINING

ASSET TO BE LINED

ASSET TO BE LINED

PUMPING STATION:  
 - ACCESS PUMPING THROUGH  
 EXISTING HATCHES  
 - SECURE ACCESS HATCH WHEN  
 NOT ON SITE  
 - IF REQUIRED, INSTALL NEW  
 GASKETS AND HARDWARE  
 WHEN REINSTALLING ROOF  
 HATCHES



- NOTES**
- LENGTH SHOWN FOR PIPING ARE FACE TO FACE AND DO NOT INCLUDE GASKET THICKNESS.
  - GASKETS ARE 3 mm THICK, FULL FACED, CLOTH INSERTED RUBBER.
  - ALL FASTNERS ARE TYPE 316 STAINLESS STEEL
  - ALL PIPES ARE CLASS 52 DUCTILE IRON OR SCHEDULE 40 STEEL.
  - ALL FLANGED FITTINGS CONFORM TO AWWA C110
  - ALL FLANGES ARE WELDED INSIDE AND OUT IN ACCORDANCE WITH AWWA C-207 CLASS D
  - ALL ANCHOR BOLTS ARE KWK BOLT STUD ANCHOR
  - BONDING AGENT IS ACRYL-STIX

LIST OF MATERIALS				LIST OF MATERIALS			
ITEM	DESCRIPTION	ENDS	QUANTITY	ITEM	DESCRIPTION	ENDS	QUANTITY
1.	150 INLET PIPE, FLANGED BY PLAIN END (EXISTING)		2	12.	150 FILLER PIPE	FLANGED	1596
2.	150 GATE VALVE	FLANGED	4	13.	150 FILLER PIPE	FLANGED	468
3.	150 SERIES 400 UNI-FLANGE		4	14.	150 FILLER PIPE, FLANGED BY PLAIN END		2507
4.	150 FILLER PIPE-FLANGED TO PLAIN END		2	15.	150 TO 200 90° ELBOW	FLANGED	1
5.	100 BASE ELBOW	FLANGED	2	16.	FLOW METER	FLANGED	1
6.	150 FILLER PIPE FLANGE TO PLAIN END		2	17.	AURORA 664A-4X4X9 VERTICAL NON-CLOG		2
7.	150 BALL CHECK VALVE	FLANGED	2		VORTEX PUMP SUPPLIED BY OWNER		
8.	150 FILLER PIPE	FLANGED	229	18.	100 X 150 REDUCER SUPPLIED BY OWNER	FLANGED	232
9.	150 STANDARD 90° ELBOW	FLANGED	3	19.	150 WAFER KNIFE GATE VALVE	FLANGED	1
10.	150 FILLER PIPE	FLANGED	197	20.	150 FILLER PIPE	FLANGED	1751
11.	150x150x150 CAST IRON CROSS	FLANGED	464				

B.M. ELEV.				
DESIGNED BY	DS	CHECKED BY	JE	
DRAWN BY	REF	APPROVED BY		
HOR. SCALE	1 : 30	RELEASED FOR CONSTRUCTION		
VERTICAL	OR AS SHOWN	DATE		
NO. REVISIONS	DATE	BY		

ENGINEER'S SEAL

PLOT DATE  
FEBRUARY 22, 1996

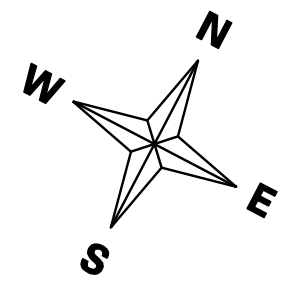
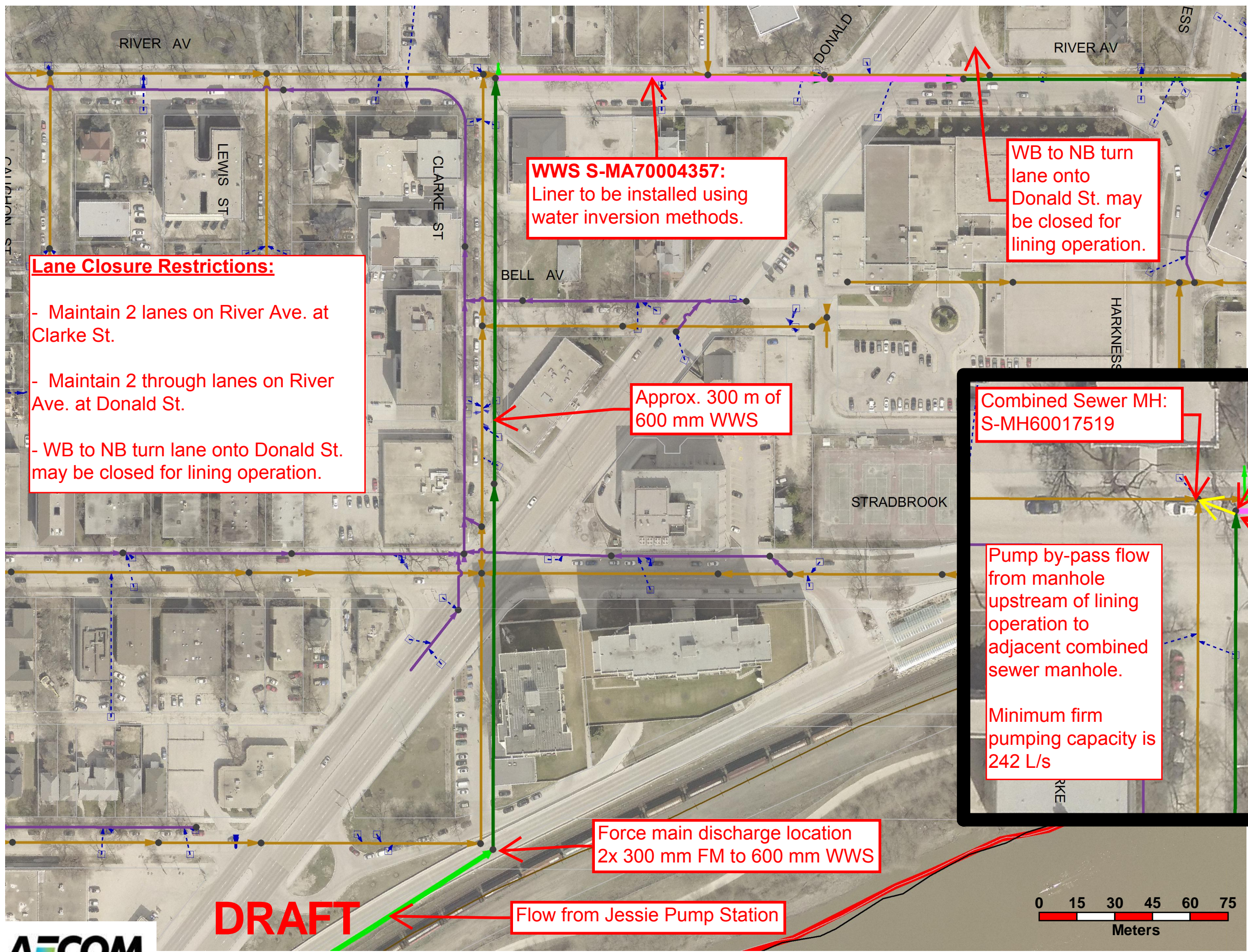
**THE CITY OF WINNIPEG**  
 WORKS AND OPERATIONS DIVISION  
 WATERWORKS WASTE AND DISPOSAL DEPARTMENT

**BARKER WASTEWATER  
 PUMPING STATION UPGRADING**

PLAN AND SECTIONS

SHEET 1 OF 1

CITY DRAWING NUMBER  
**1418**



- Legend
- 2016 CIPP Rehab Pipes
  - WWS
  - WWS-FM
  - CS
  - SRS
  - - - LDS

**Lane Closure Restrictions:**

- Maintain 2 lanes on River Ave. at Clarke St.
- Maintain 2 through lanes on River Ave. at Donald St.
- WB to NB turn lane onto Donald St. may be closed for lining operation.

**WWS S-MA70004357:**  
Liner to be installed using water inversion methods.

WB to NB turn lane onto Donald St. may be closed for lining operation.

Approx. 300 m of 600 mm WWS

Combined Sewer MH: S-MH60017519

WWS MH: S-MH7005718

Pump by-pass flow from manhole upstream of lining operation to adjacent combined sewer manhole.  
Minimum firm pumping capacity is 242 L/s

NOTE: Manhole modifications requiring removal of pavement are not permitted

Force main discharge location  
2x 300 mm FM to 600 mm WWS

Flow from Jessie Pump Station



CITY OF WINNIPEG  
2016 CIPP SEWER REHABILITATION

RIVER AV S-MA70004357



**DRAFT**