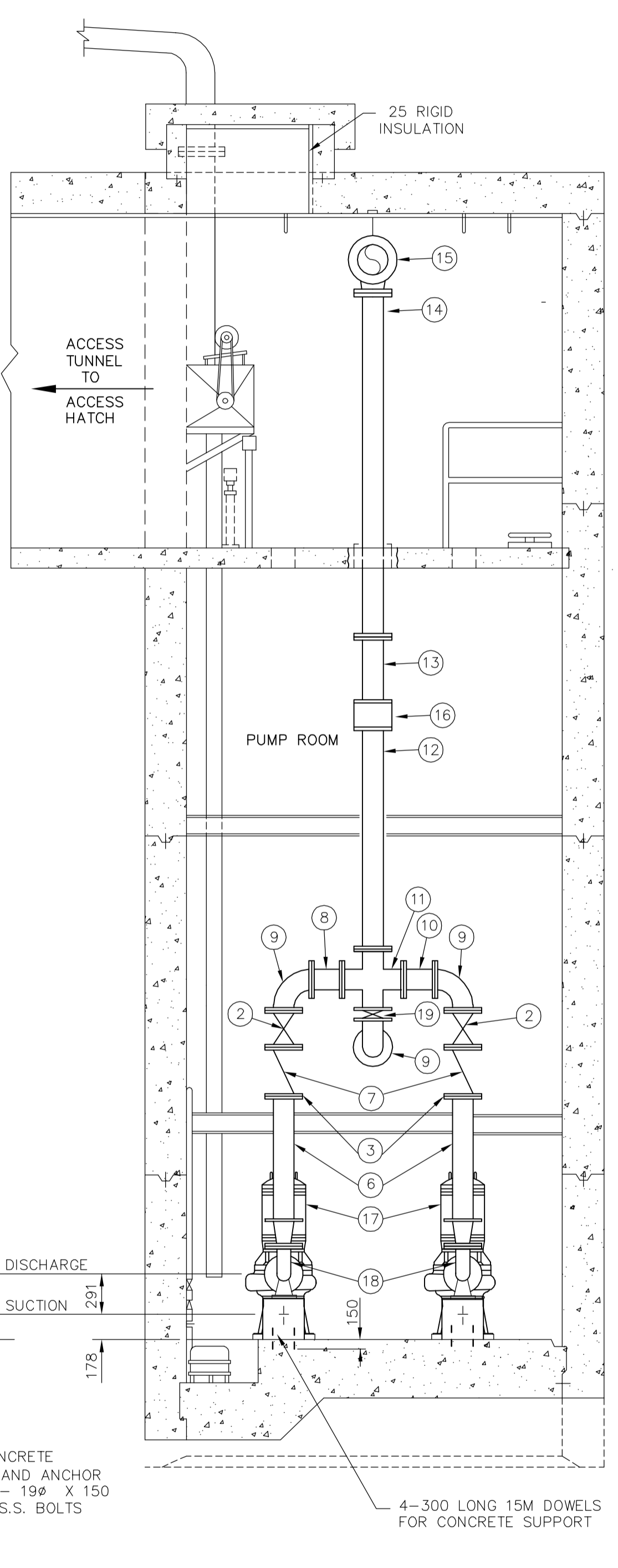
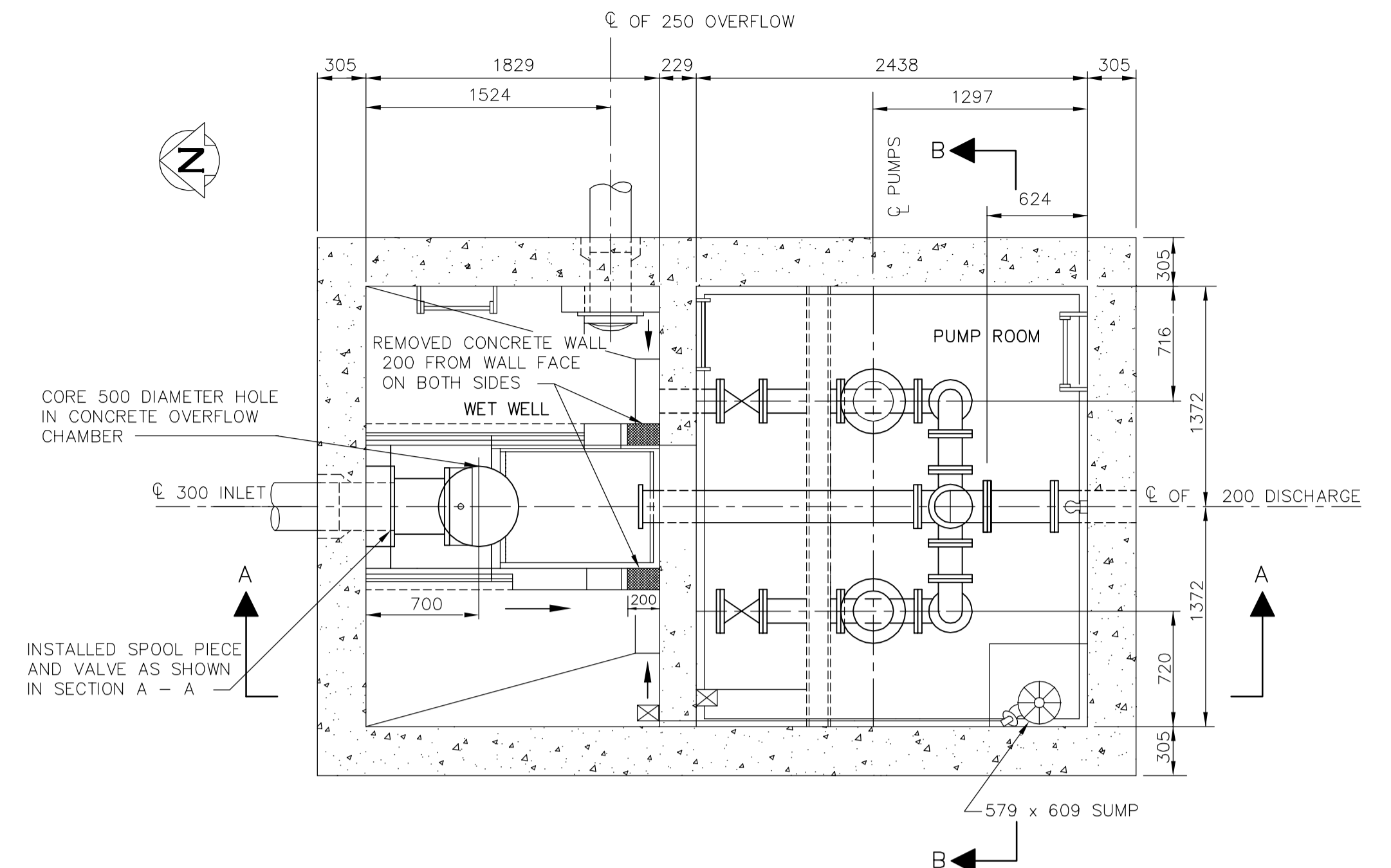


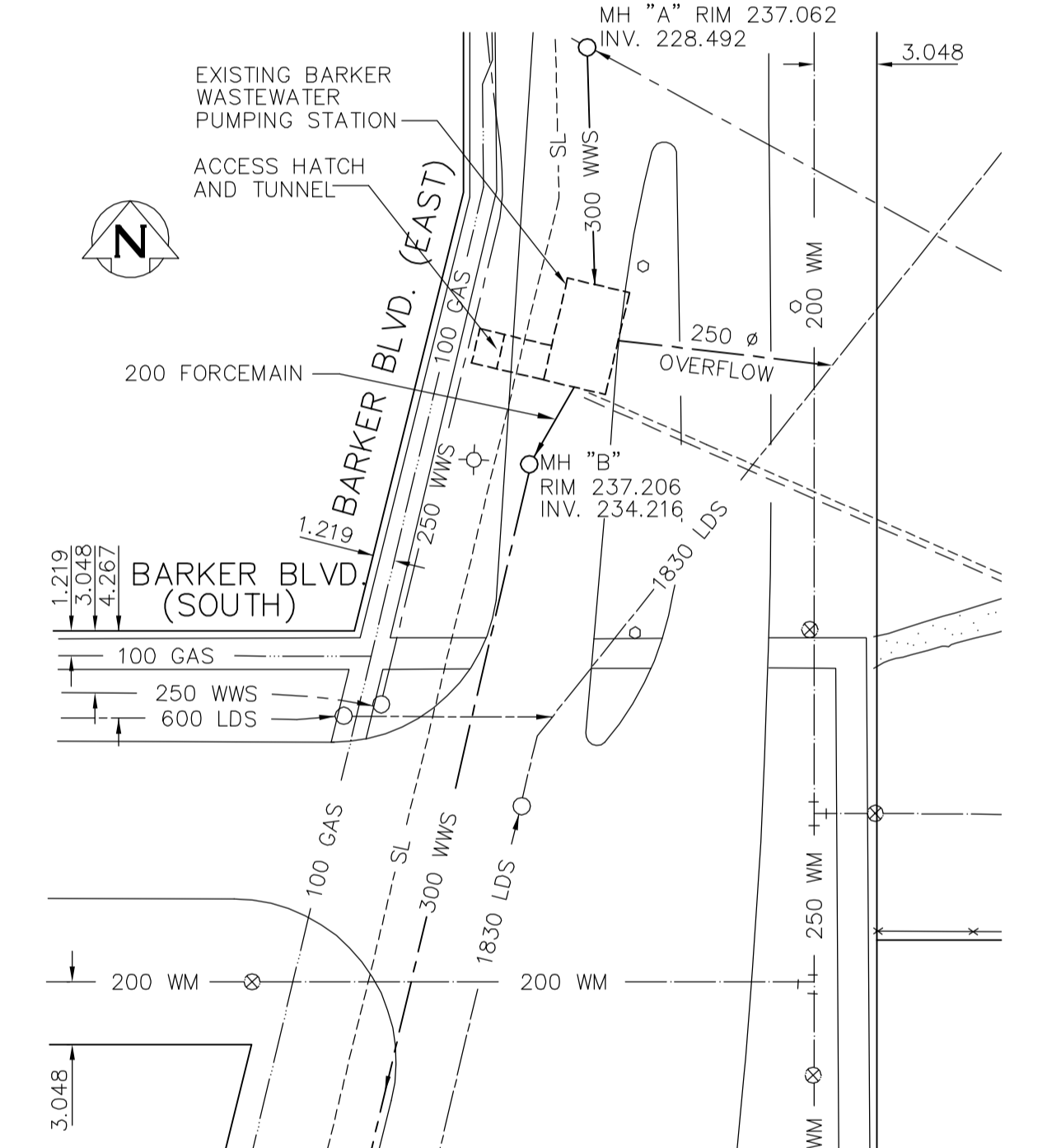
SECTION A - A



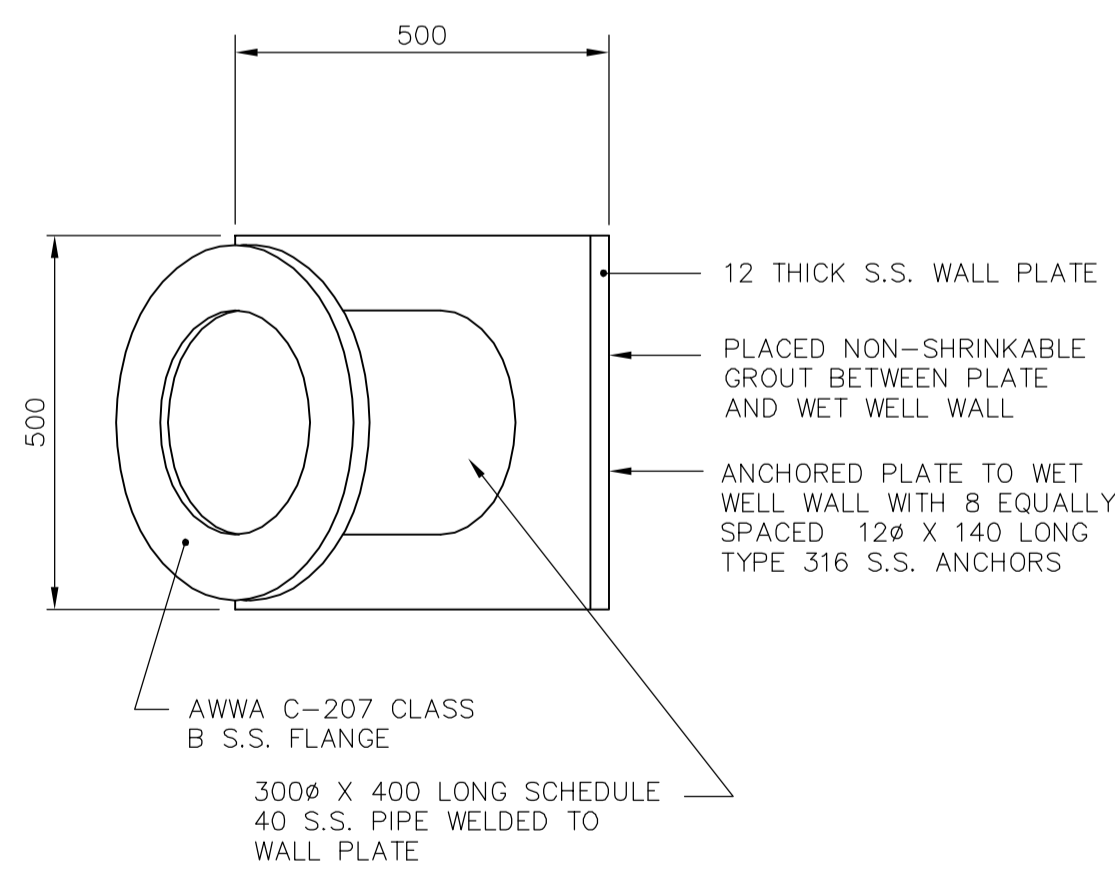
SECTION B - B



PUMP ROOM PLAN VIEW



SITE PLAN SCALE 1:300



DETAIL "A" SCALE 1:10

METRIC

WHOLE NUMBERS INDICATE MILLIMETRES
DECIMALIZED NUMBERS INDICATE METRES

NOTES

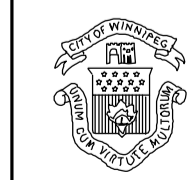
1. LENGTH SHOWN FOR PIPING ARE FACE TO FACE AND DO NOT INCLUDE GASKET THICKNESS.
2. GASKETS ARE 3 mm THICK, FULL FACED, CLOTH INSERTED RUBBER.
3. ALL FASTNERS ARE TYPE 316 STAINLESS STEEL
4. ALL PIPES ARE CLASS 52 DUCTILE IRON OR SCHEDULE 40 STEEL.
5. ALL FLANGED FITTINGS CONFORM TO AWWA C110
6. ALL FLANGES ARE WELDED INSIDE AND OUT IN ACCORDANCE WITH AWWA C-207 CLASS D
7. ALL ANCHOR BOLTS ARE KWK BOLT STUD ANCHOR
8. BONDING AGENT IS ACRYL-STIX

LIST OF MATERIALS				LIST OF MATERIALS				B.M. ELEV.
ITEM	DESCRIPTION	ENDS	QUANTITY	ITEM	DESCRIPTION	ENDS	QUANTITY	
1.	150 INLET PIPE, FLANGED BY PLAIN END (EXISTING)		2	12.	150 FILLER PIPE	FLANGED	1596	1
2.	150 GATE VALVE	FLANGED	4	13.	150 FILLER PIPE	FLANGED	468	1
3.	150 SERIES 400 UNI-FLANGE		4	14.	150 FILLER PIPE, FLANGED BY PLAIN END		2507	1
4.	150 FILLER PIPE-FLANGED TO PLAIN END		2	15.	150 TO 200 90° ELBOW	FLANGED	1	1
5.	100 BASE ELBOW	FLANGED	2	16.	FLOW METER	FLANGED	1	1
6.	150 FILLER PIPE FLANGE TO PLAIN END		2	17.	AURORA 664A-4X4X9 VERTICAL NON-CLOG			2
7.	150 BALL CHECK VALVE	FLANGED	2		VORTEX PUMP SUPPLIED BY OWNER			
8.	150 FILLER PIPE	FLANGED	229	18.	100 X 150 REDUCER SUPPLIED BY OWNER	FLANGED	232	2
9.	150 STANDARD 90° ELBOW	FLANGED	3	19.	150 WAFER KNIFE GATE VALVE	FLANGED	1	1
10.	150 FILLER PIPE	FLANGED	197	20.	150 FILLER PIPE	FLANGED	1751	1
11.	150x150x150 CAST IRON CROSS	FLANGED	464					

Prepared By:
*The Engineering Division of the
Waterworks, Waste and Disposal
Department*

DESIGNED BY	DS	CHECKED BY	JE
DRAWN BY	REF	APPROVED BY	
HOR. SCALE	1 : 30	RELEASED FOR CONSTRUCTION	
VERTICAL	OR AS SHOWN	DATE	
NO. REVISIONS	DATE	BY	DATE

ENGINEER'S SEAL



THE CITY OF WINNIPEG
WORKS AND OPERATIONS DIVISION
WATERWORKS WASTE AND DISPOSAL DEPARTMENT

BARKER WASTEWATER
PUMPING STATION UPGRADING

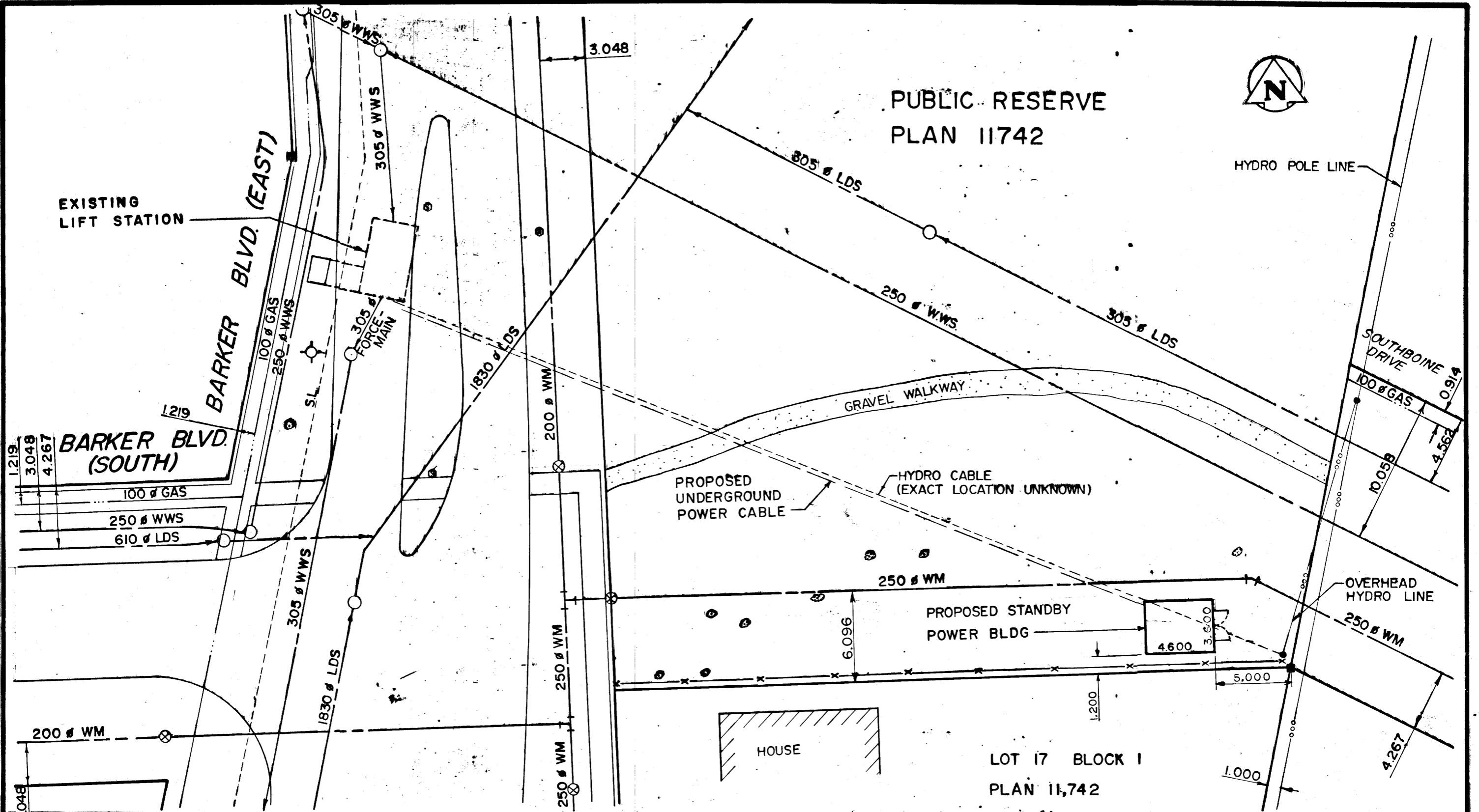
PLAN AND SECTIONS

SHEET 1 OF 1
CITY DRAWING NUMBER

1418

PLOT DATE
FEBRUARY 22, 1996

PUBLIC RESERVE
PLAN 11742



No	REVISIONS	DATE	APP.

LEGEND

MANHOLE	○
HYDRO POLE	●
SEWER	---
WATERMAIN	---
HYDRANT	⊕
SURVEY BAR	⊠
FENCE	-x-x-
LAMP STANDARD	⊙
VALVE	⊗
SIGN	Ⓢ
GAS	---
BURIED CABLE	---

THE CITY OF WINNIPEG

**WORKS & OPERATIONS
DEPARTMENT
WATERWORKS, WASTE &
DISPOSAL DIVISION.**

**BARKER BLVD. LIFT STATION
(SITE PLAN)**

APPROVED BY	DATE
	OCT. 7, 1980
SCALE	DRAWING NO
1:250	M-403