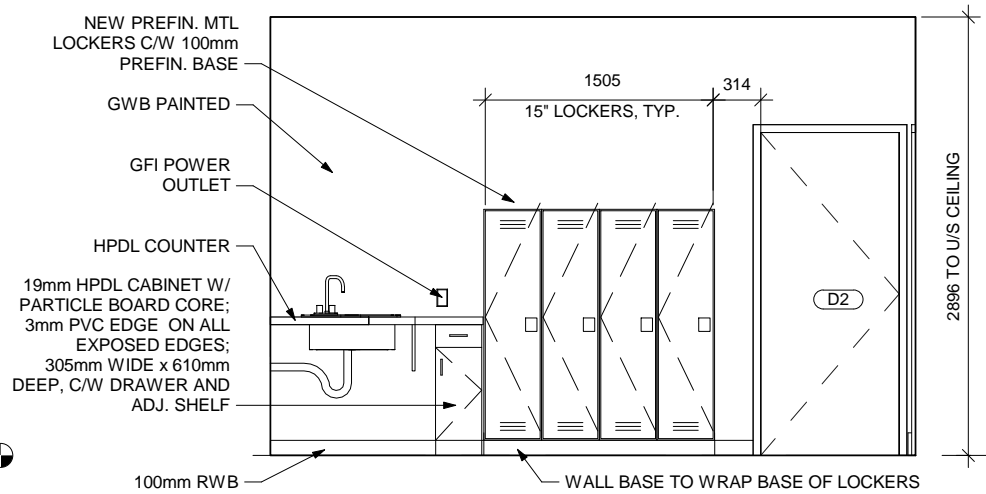
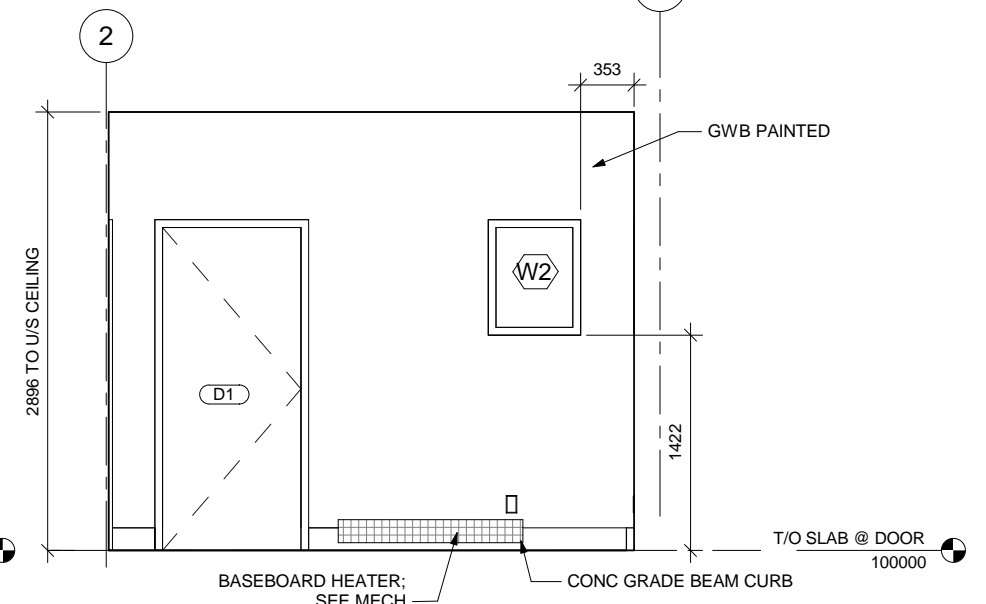


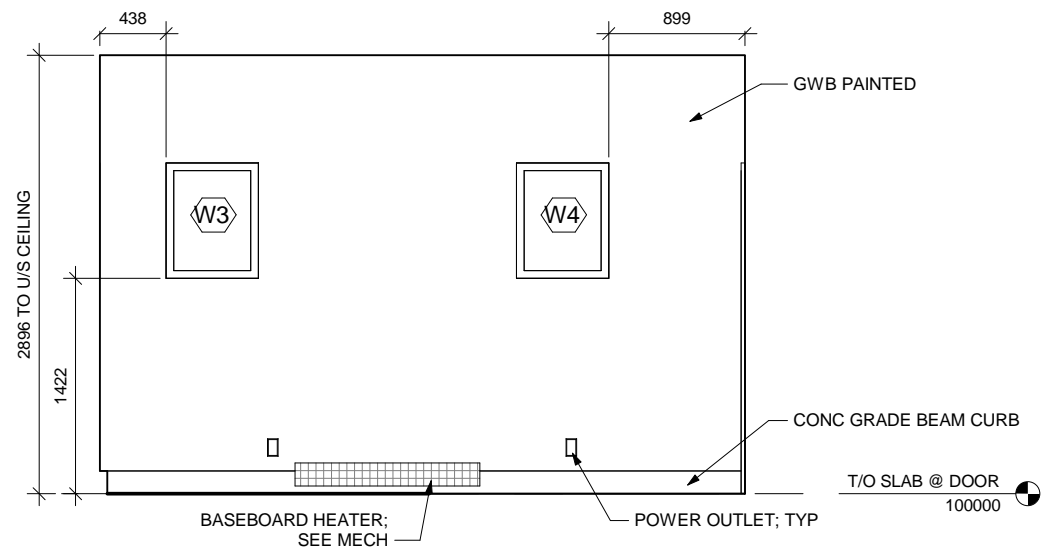
1 INT ELEVATION - STAFF AREA - A
1:50



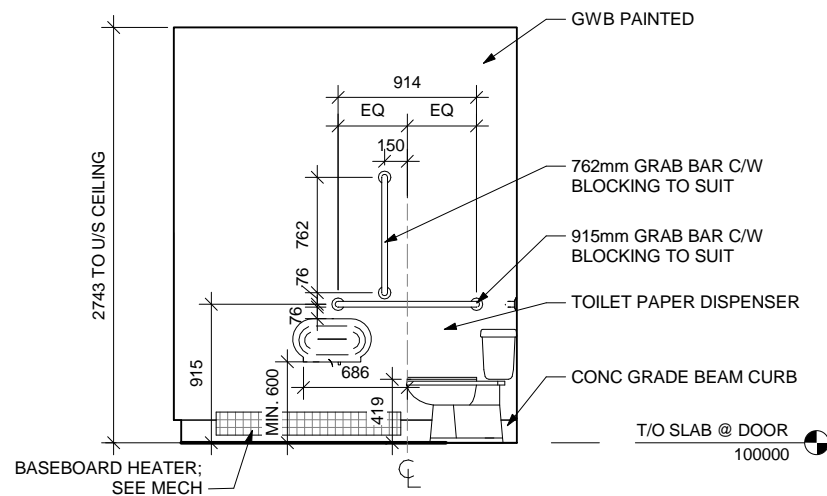
2 INT ELEVATION - STAFF AREA - B
1:50



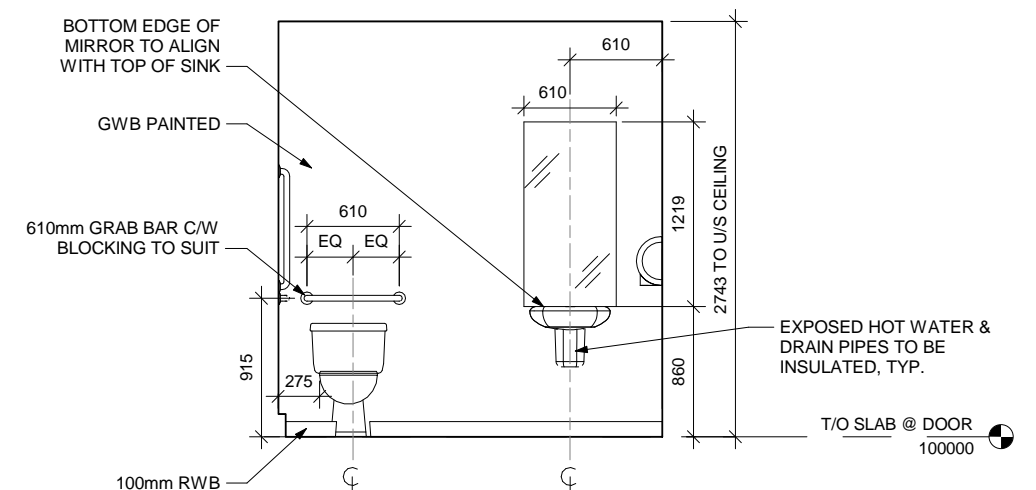
3 INT ELEVATION - STAFF AREA - C
1:50



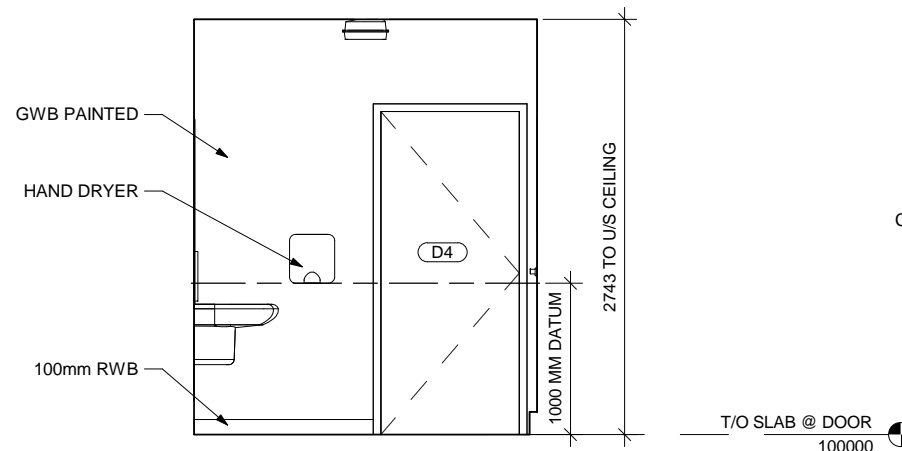
4 INT ELEVATION - STAFF AREA - D
1:50



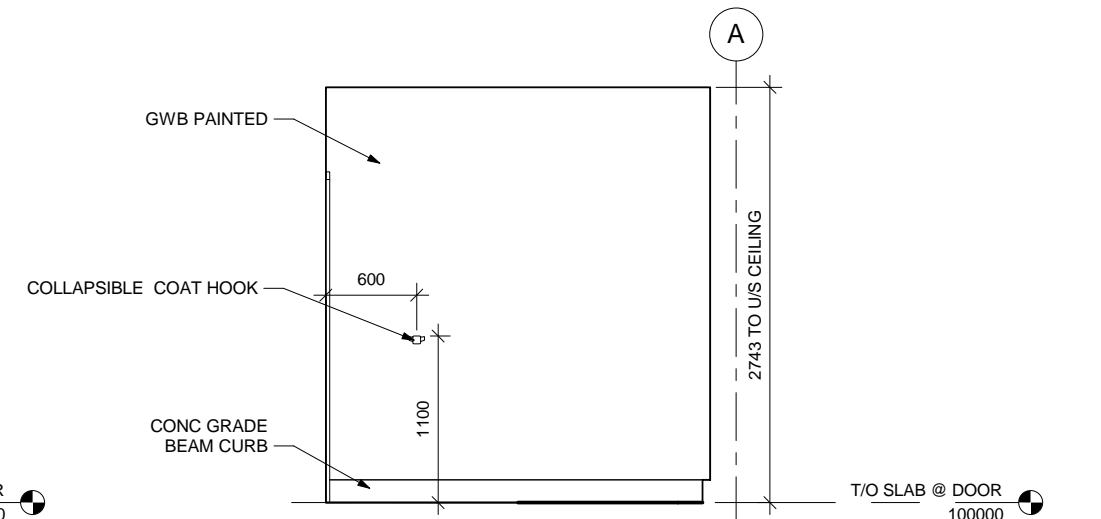
5 INT ELEVATION - UTR - A
1:50



6 INT ELEVATION - UTR - B
1:50



7 INT ELEVATION - UTR - C
1:50



8 INT ELEVATION - UTR - D
1:50

NOTES:
• PROVIDE BLOCKING FOR ALL GRAB BARS, TOWEL DISPENSERS, & PAPER TOWEL DISPENSERS