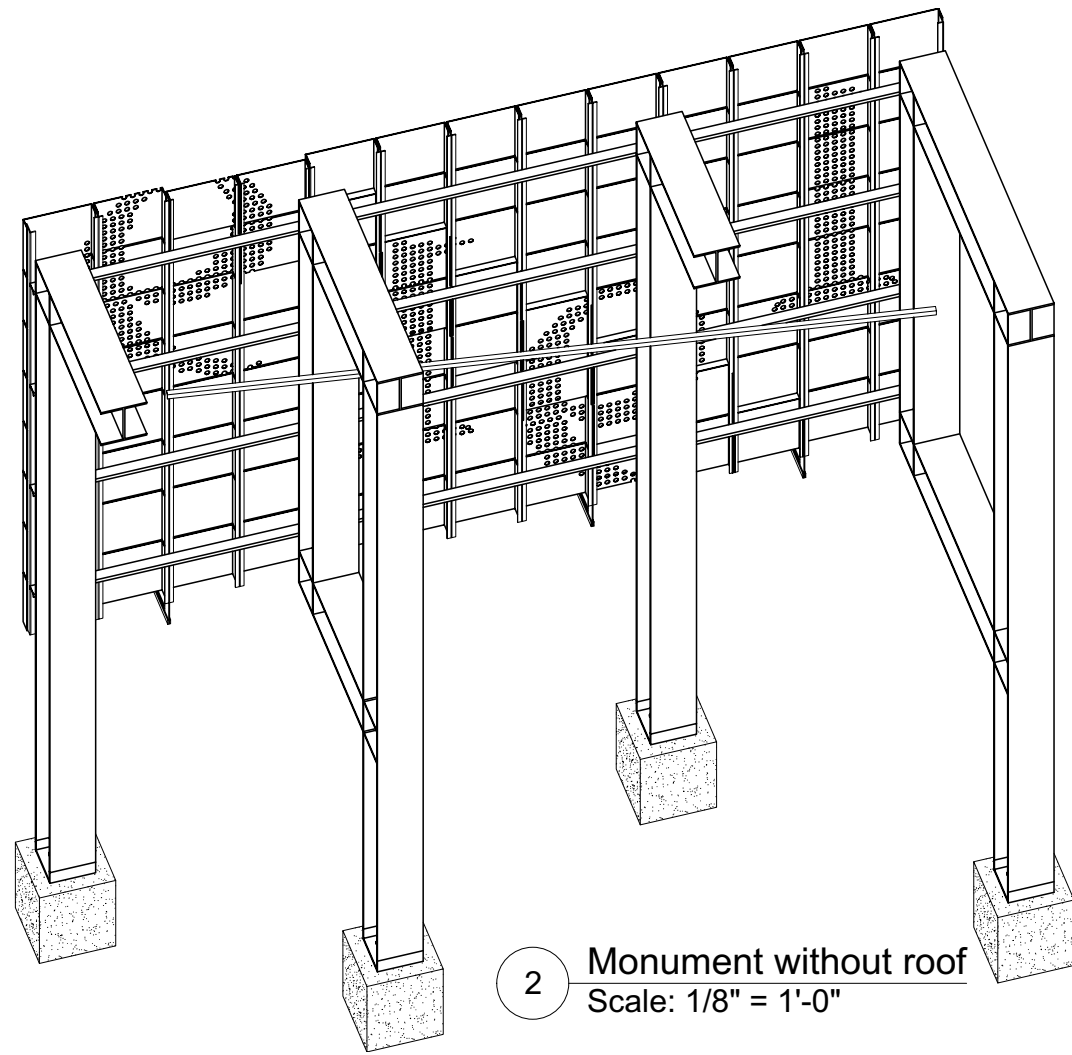
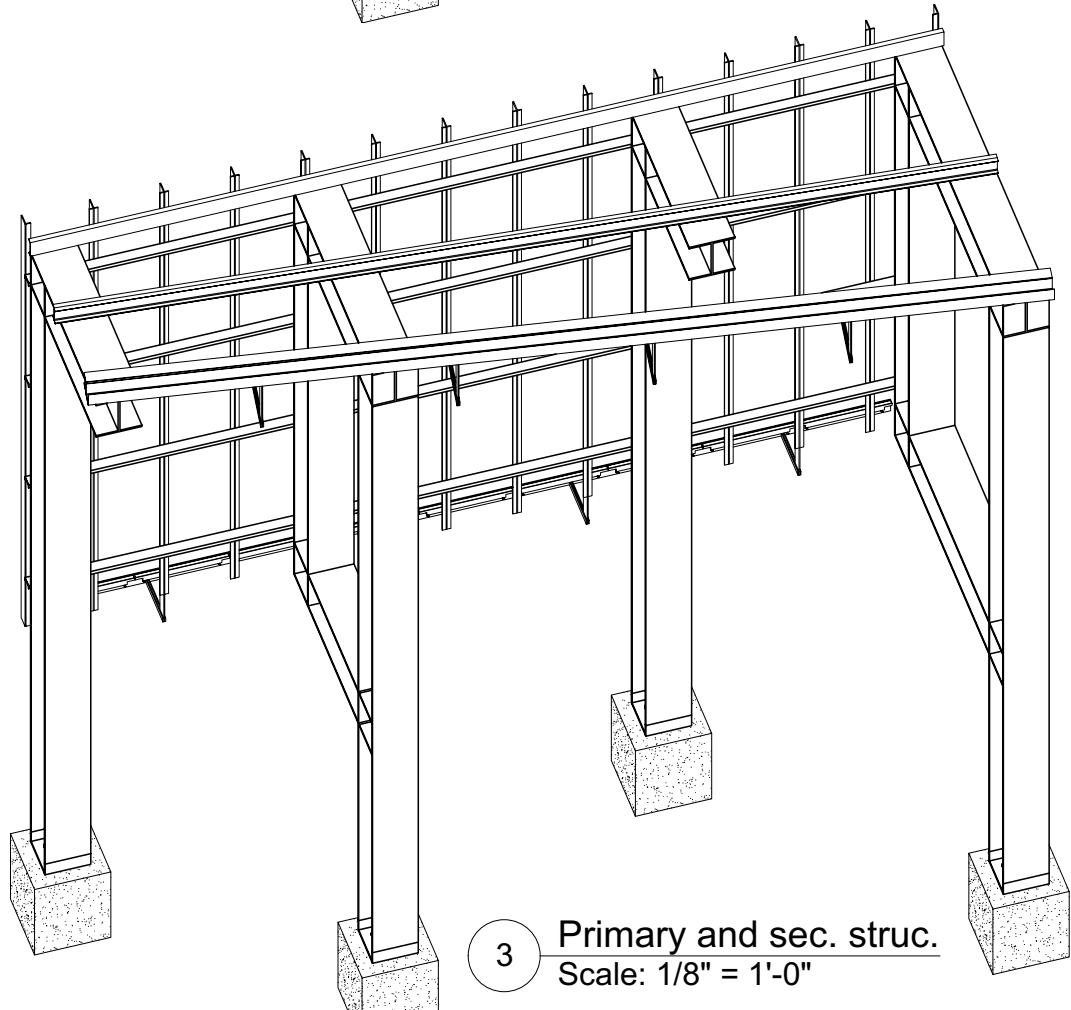


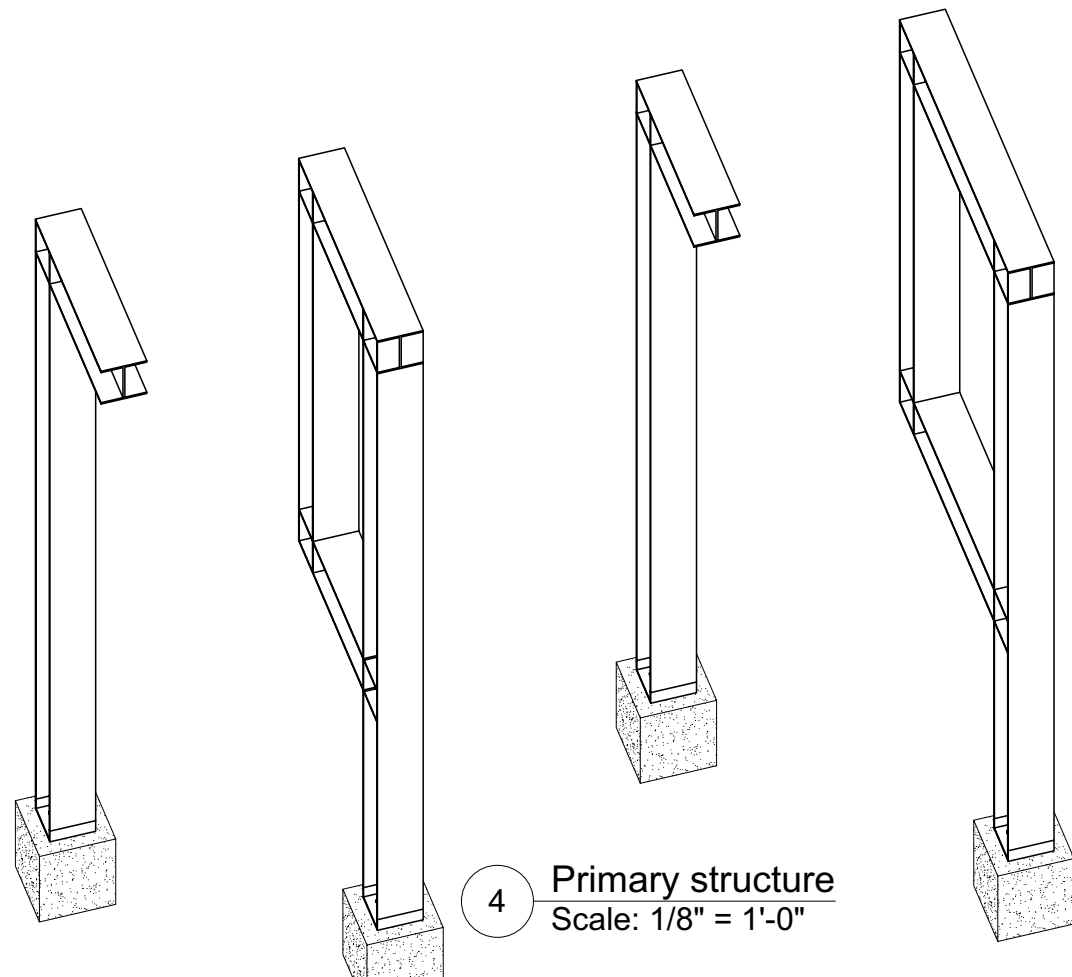
1 Monument
Scale: 1/8" = 1'-0"



2 Monument without roof
Scale: 1/8" = 1'-0"



3 Primary and sec. struc.
Scale: 1/8" = 1'-0"



4 Primary structure
Scale: 1/8" = 1'-0"

ISSUED FOR CONSTRUCTION 2016/11/28
ISSUED FOR PRICING 2016/10/20
1602 2016/11/28
PROVINCE OF MANITOBA
THOMAS MONTEYNE
REGISTERED ARCHITECT
PROVINCE OF MANITOBA
MONTEYNE ARCHITECTURE WORKS INCORPORATED
No. 103
REGISTERED ARCHITECTURAL CORPORATION



1919 MARQUEE
Winnipeg, Manitoba
Intersection Lily St & Market Ave
MONUMENT BACK VIEWS