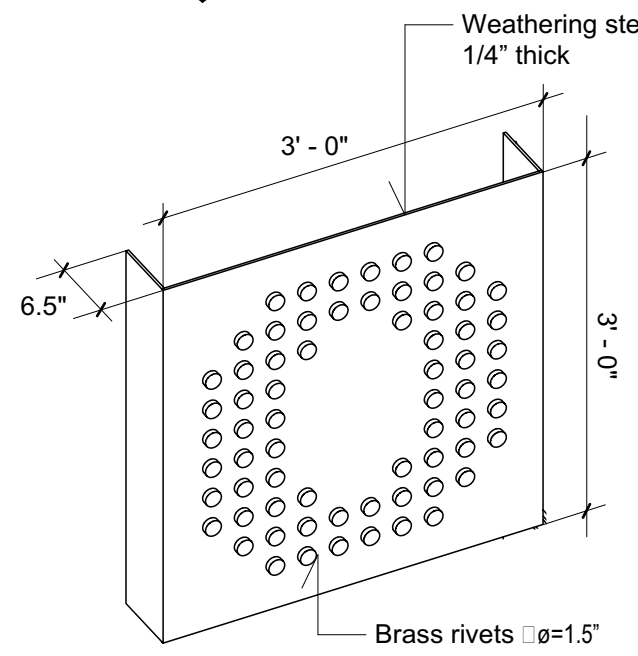
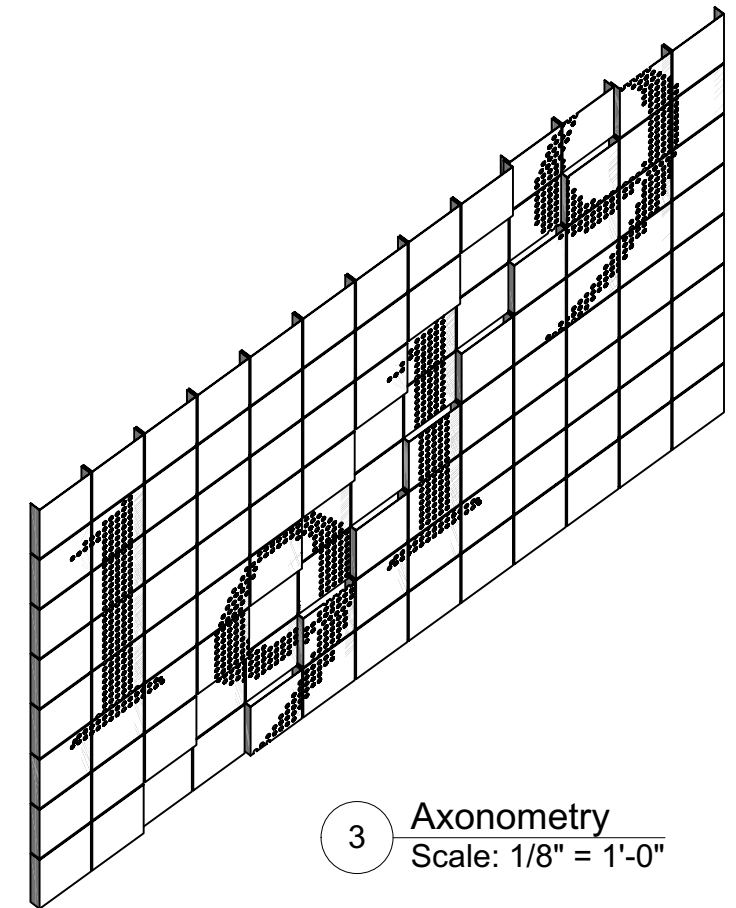


1 Modules - Elevation  
Scale: 1/4" = 1'-0"

1.5" between modules



4 Typical module  
Scale: 3/4" = 1'-0"

ISSUED FOR CONSTRUCTION 2016/11/28  
ISSUED FOR PRICING 2016/10/20

1602 2016/11/28

**MONTEYNE**  
architecture works  
INCORPORATED

1919 MARQUEE  
Winnipeg, Manitoba  
Intersection Lily St & Market Ave

MODULES KEY ELEVATION