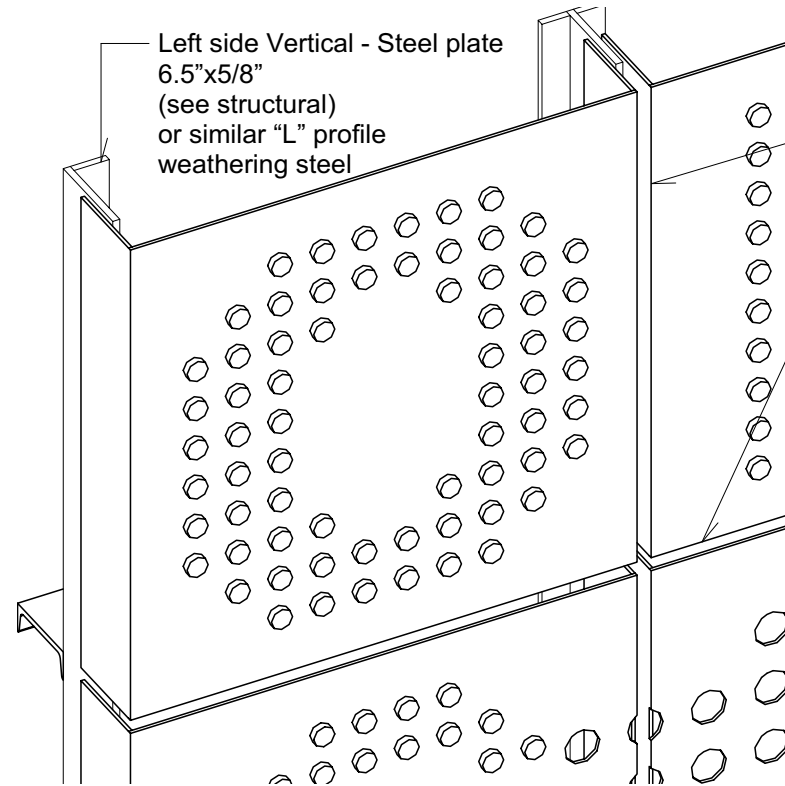
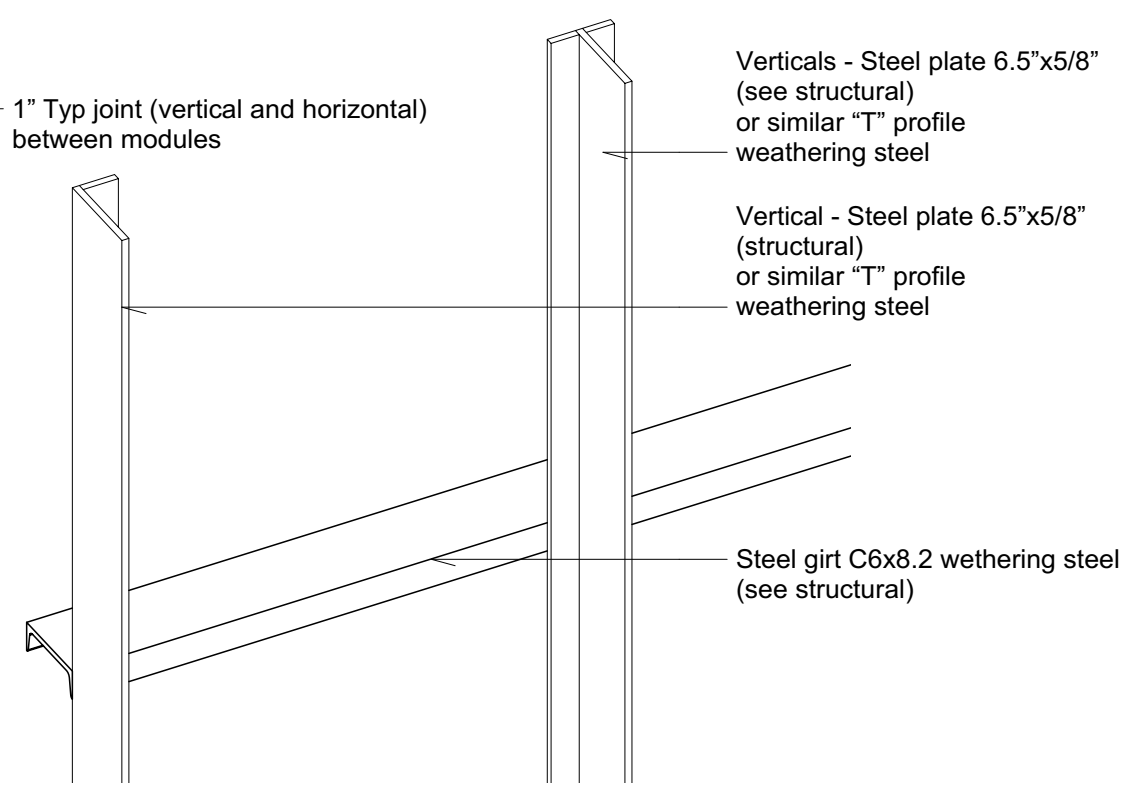


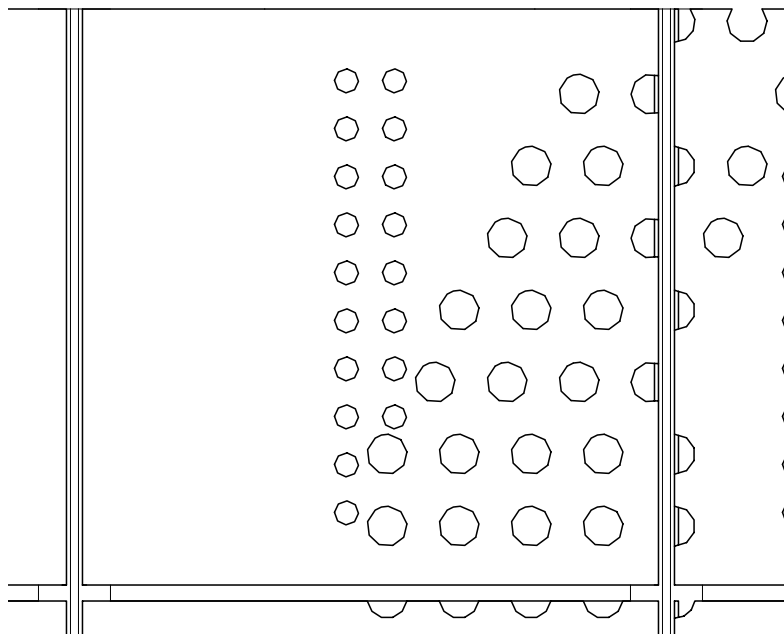
6 Recessed module isometrics
Scale: 1" = 1'-0"



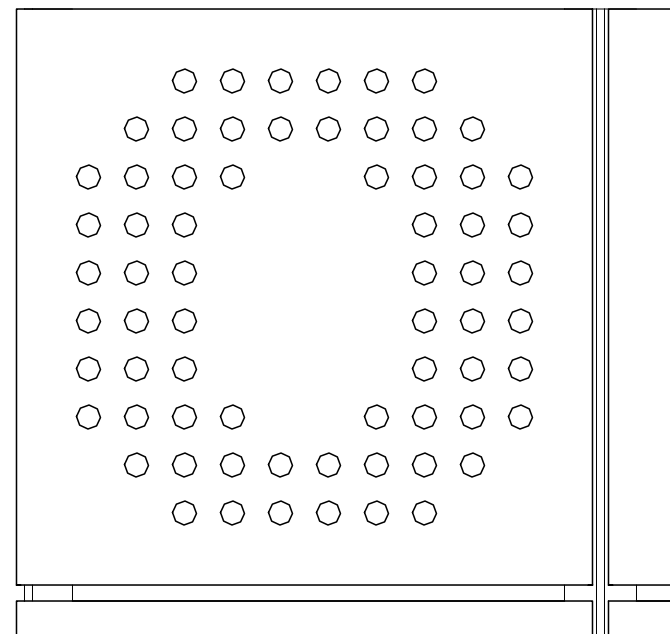
3 Front module isometrics
Scale: 1" = 1'-0"



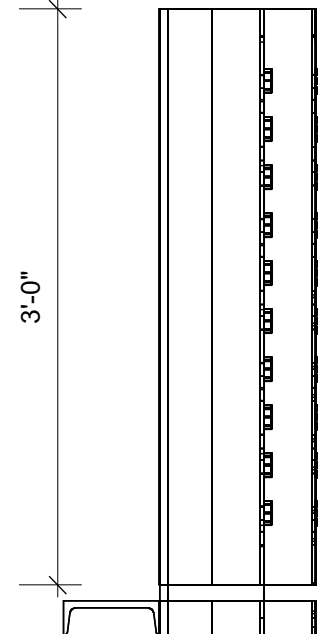
8 Module structure isometrics
Scale: 1" = 1'-0"



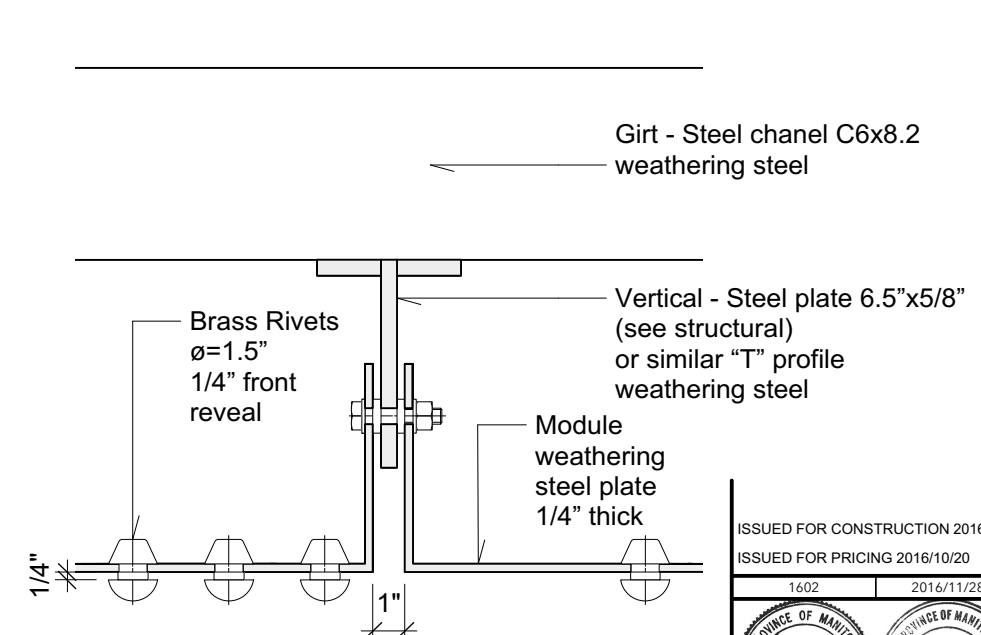
5 Recessed module elevation
Scale: 1" = 1'-0"



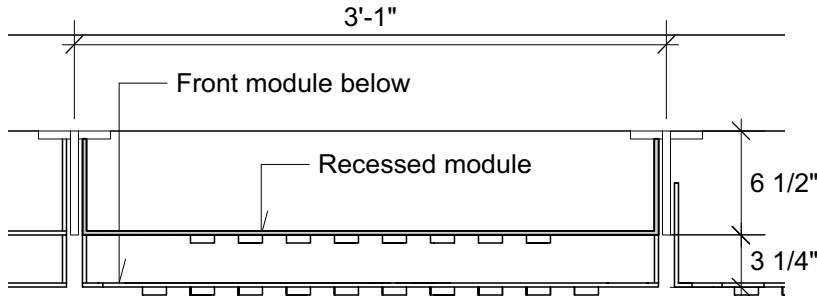
2 Front module elevation
Scale: 1" = 1'-0"



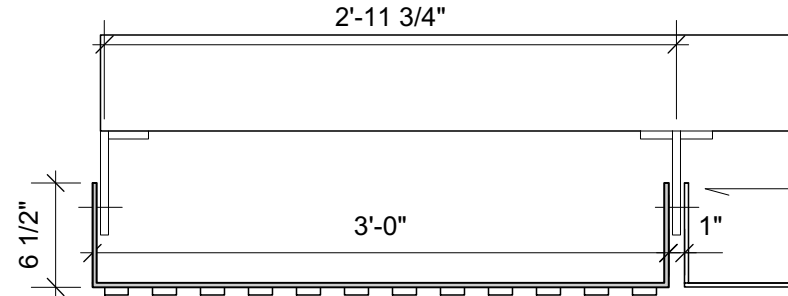
7 Lateral elevation
Scale: 1" = 1'-0"



9 Typical connection - Plan
Scale: 2" = 1'-0"



4 Recessed module plan
Scale: 1" = 1'-0"



1 Front module plan
Scale: 1" = 1'-0"

ISSUED FOR CONSTRUCTION 2016/11/28
ISSUED FOR PRICING 2016/10/20

1602	2016/11/28
------	------------

PROVINCE OF MANITOBA
REGISTERED ARCHITECT

PROVINCE OF MANITOBA
REGISTERED ARCHITECTURAL CONSULTANT

MONTEYNE
architecture works
INCORPORATED

1919 MARQUEE
Winnipeg, Manitoba
Intersection Lily St & Market Ave

DETAILS - MODULES