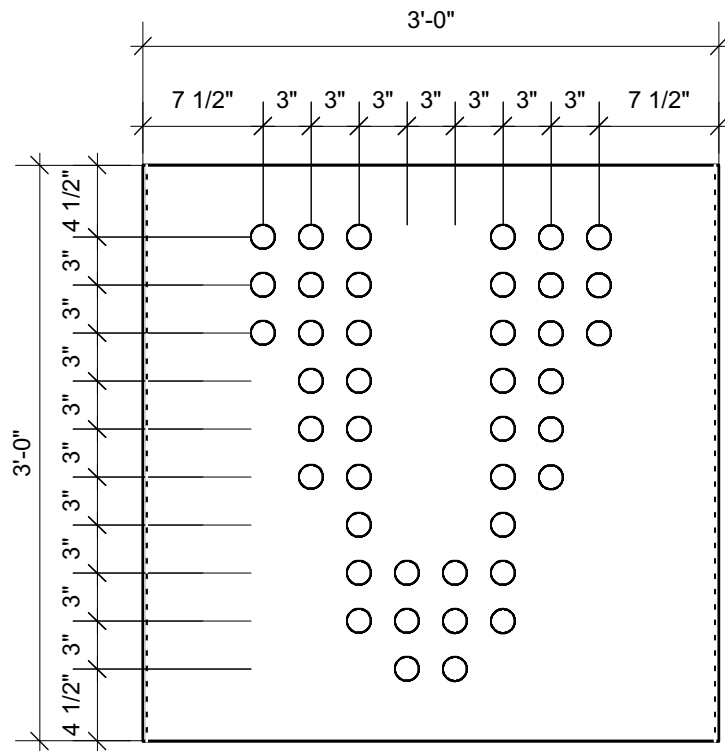
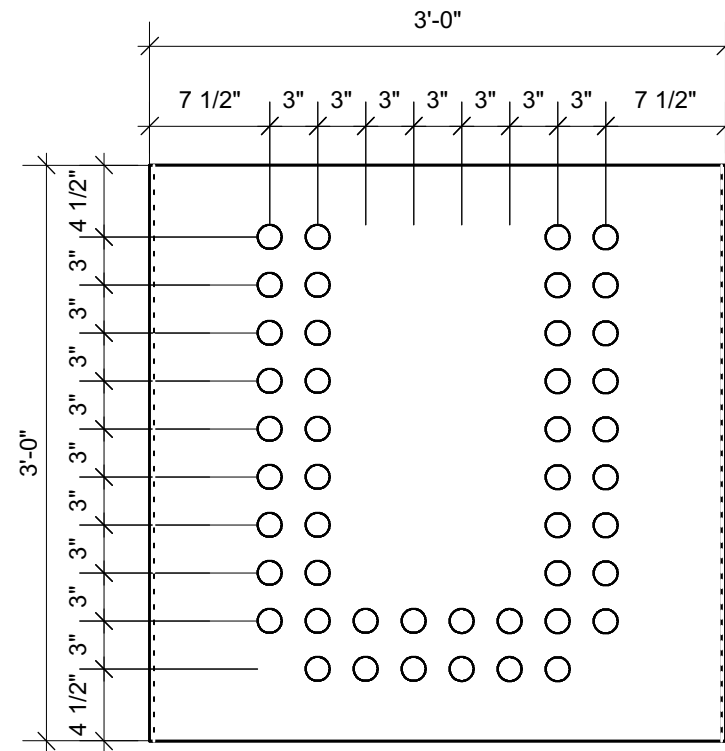


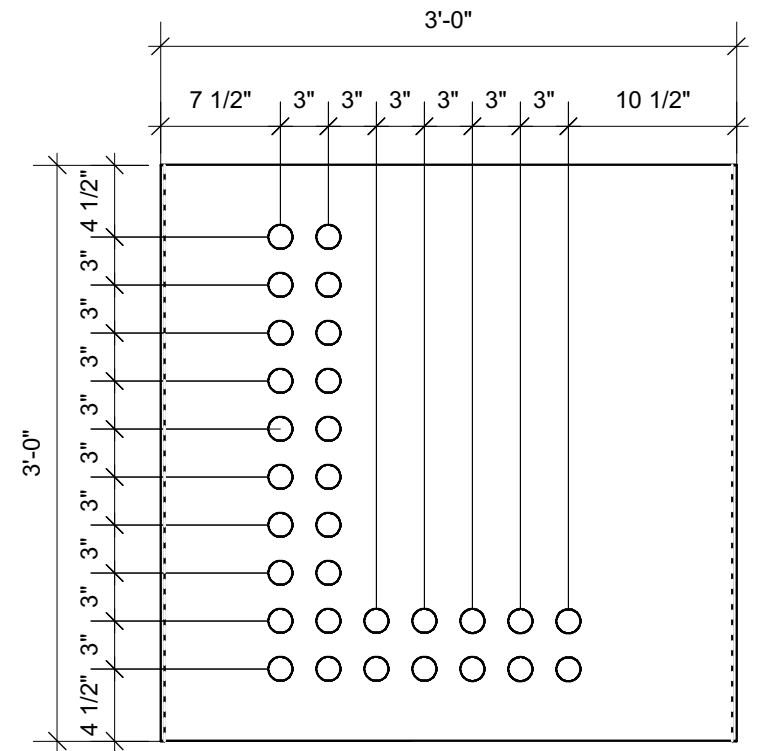
1 **Module F13**
Scale: 1" = 1'-0"



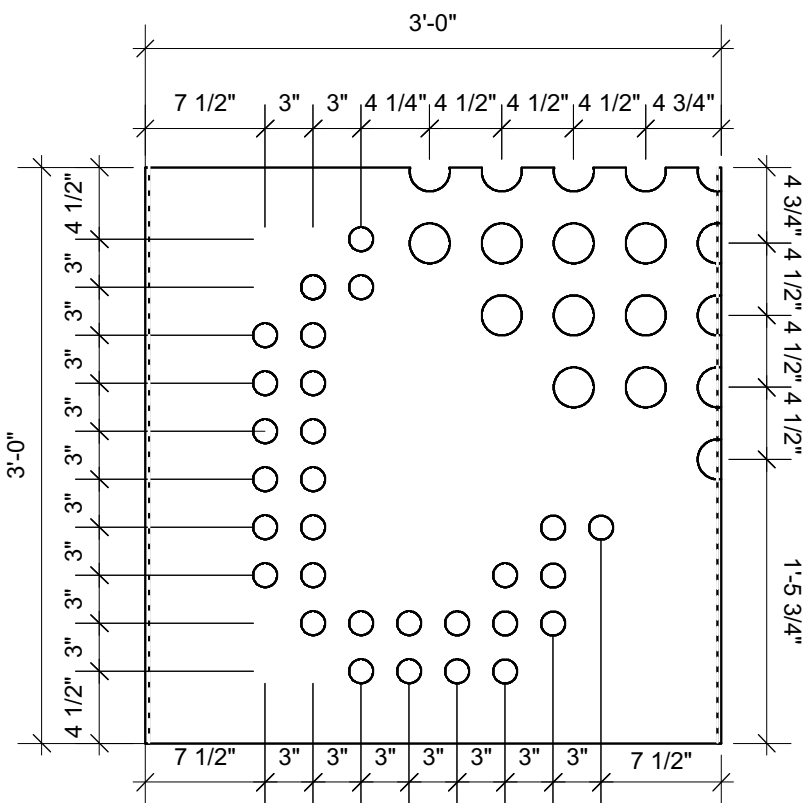
2 **Module G01**
Scale: 1" = 1'-0"



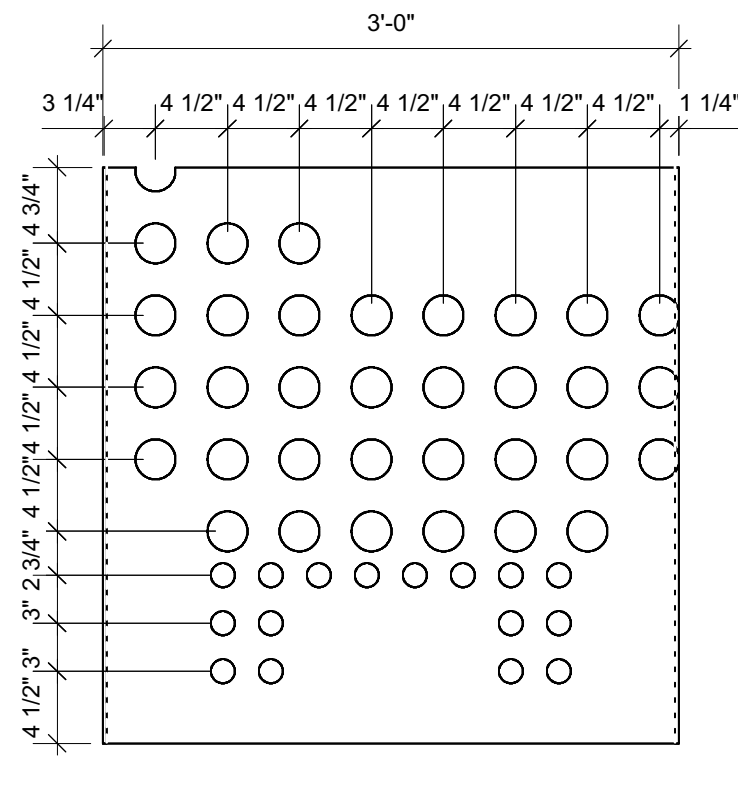
3 **Module G02**
Scale: 1" = 1'-0"



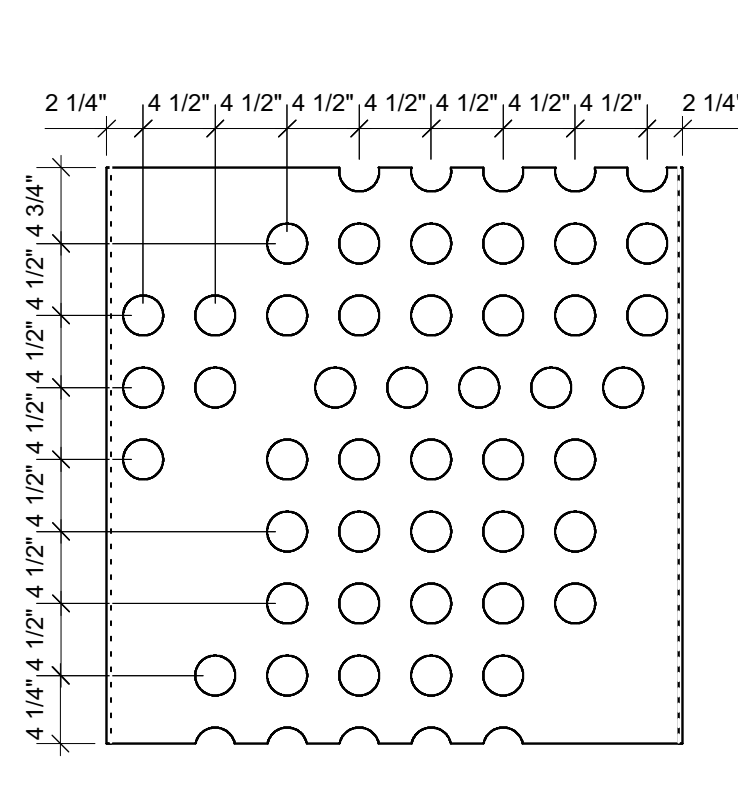
4 **Module G03**
Scale: 1" = 1'-0"



5 **Module G04**
Scale: 1" = 1'-0"



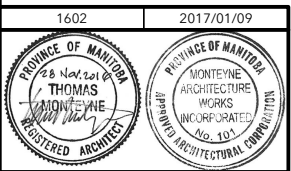
6 **Module G05**
Scale: 1" = 1'-0"



7 **Module G06**
Scale: 1" = 1'-0"

- Brass rivets $\phi=1\ 1/2"$
(see drawing A7.1)
- Holes $\phi=2\ 1/2"$

DRAWING A7.13 ADDED - 2017/01/09
ISSUED FOR CONSTRUCTION 2016/11/28
ISSUED FOR PRICING 2016/10/20



1919 MARQUEE
Winnipeg, Manitoba
Intersection Lily St & Market Ave
MODULES F13 TO G06