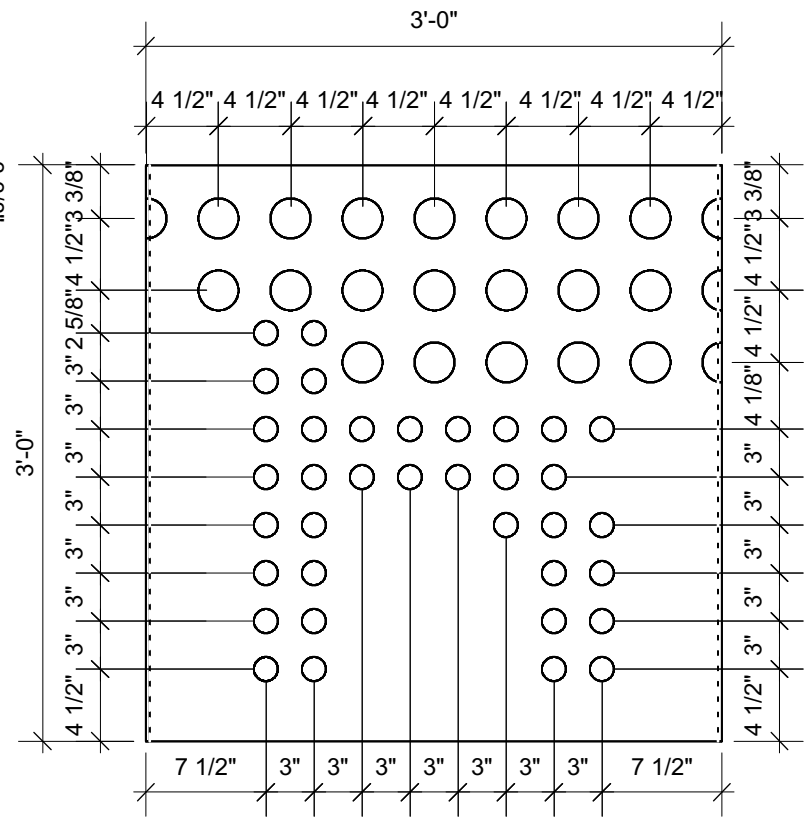
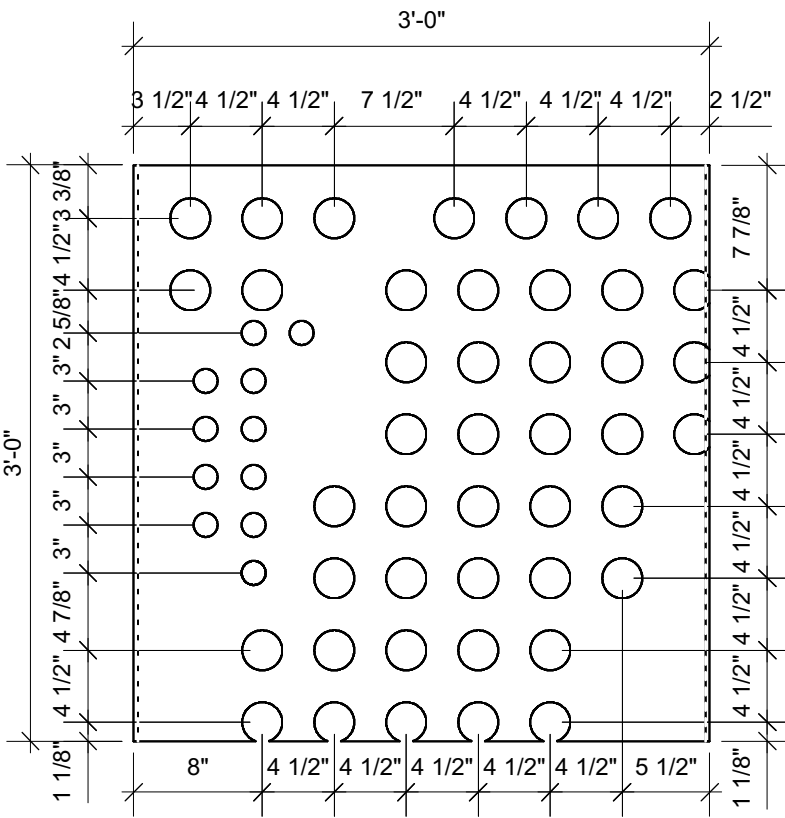


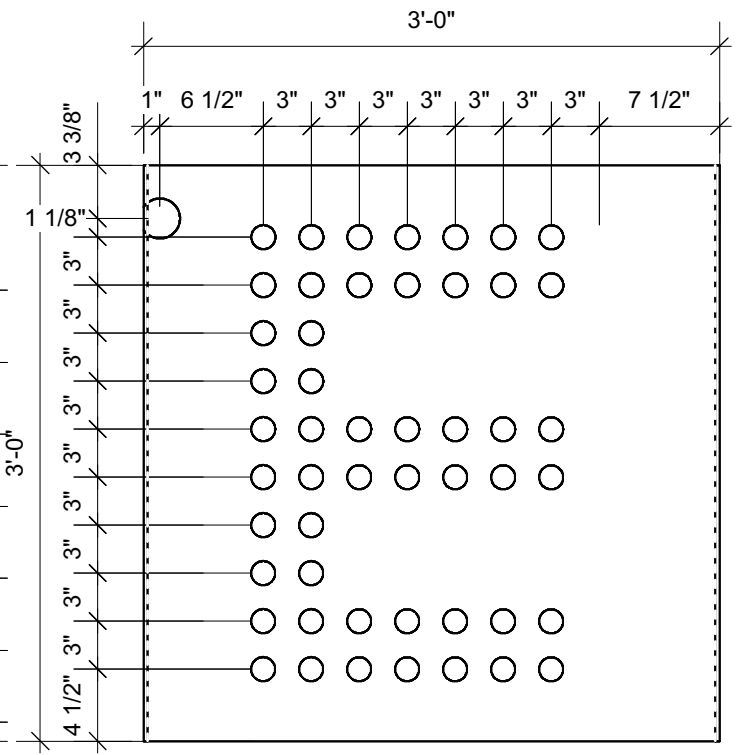
1 **Module C10**
Scale: 1" = 1'-0"



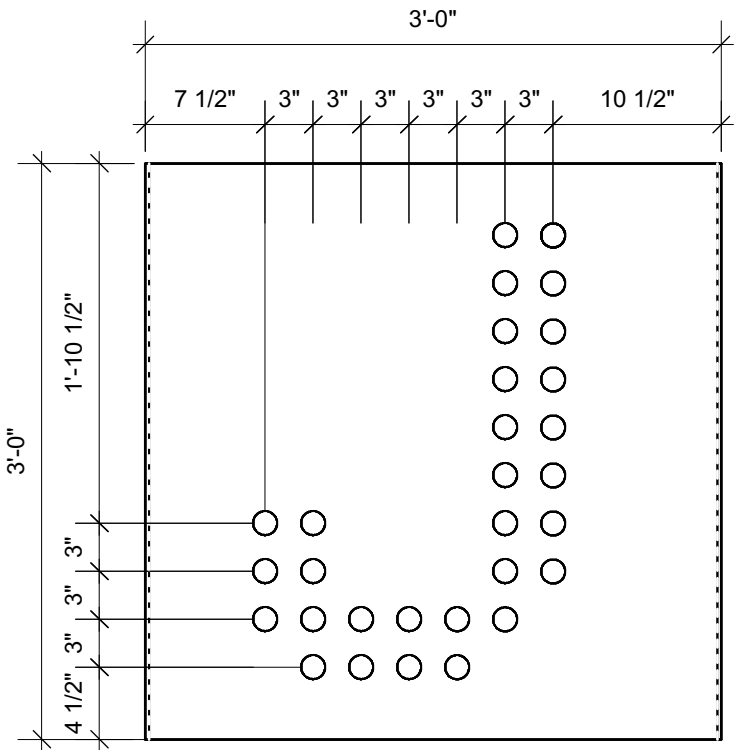
2 **Module C11**
Scale: 1" = 1'-0"



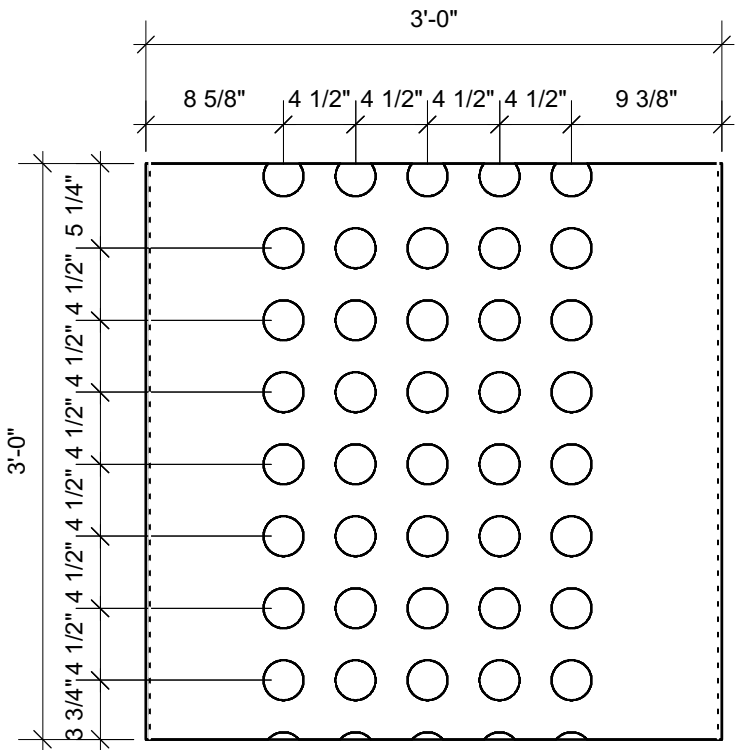
3 **Module C12**
Scale: 1" = 1'-0"



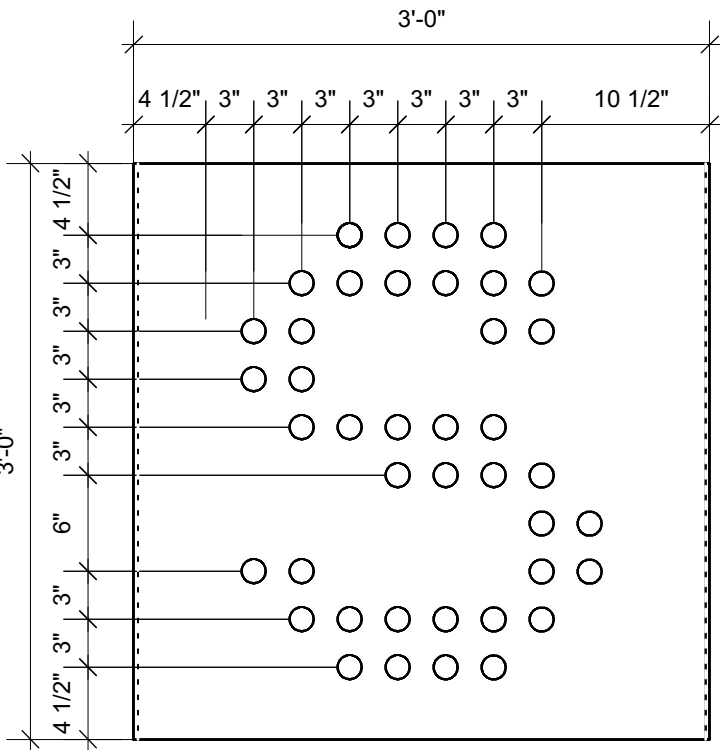
4 **Module C13**
Scale: 1" = 1'-0"



5 **Module D01**
Scale: 1" = 1'-0"



6 **Module D02**
Scale: 1" = 1'-0"



7 **Module D03**
Scale: 1" = 1'-0"

⊕ Brass rivets $\phi=1\ 1/2"$
(see drawing A7.1)

⊕ Holes $\phi=2\ 1/2"$

DRAWING A7.7 ADDED - 2017/01/09
ISSUED FOR CONSTRUCTION 2016/11/28
ISSUED FOR PRICING 2016/10/20

1602	2017/01/09
------	------------



1919 MARQUEE
Winnipeg, Manitoba
Intersection Lily St & Market Ave
MODULES C10 TO D03