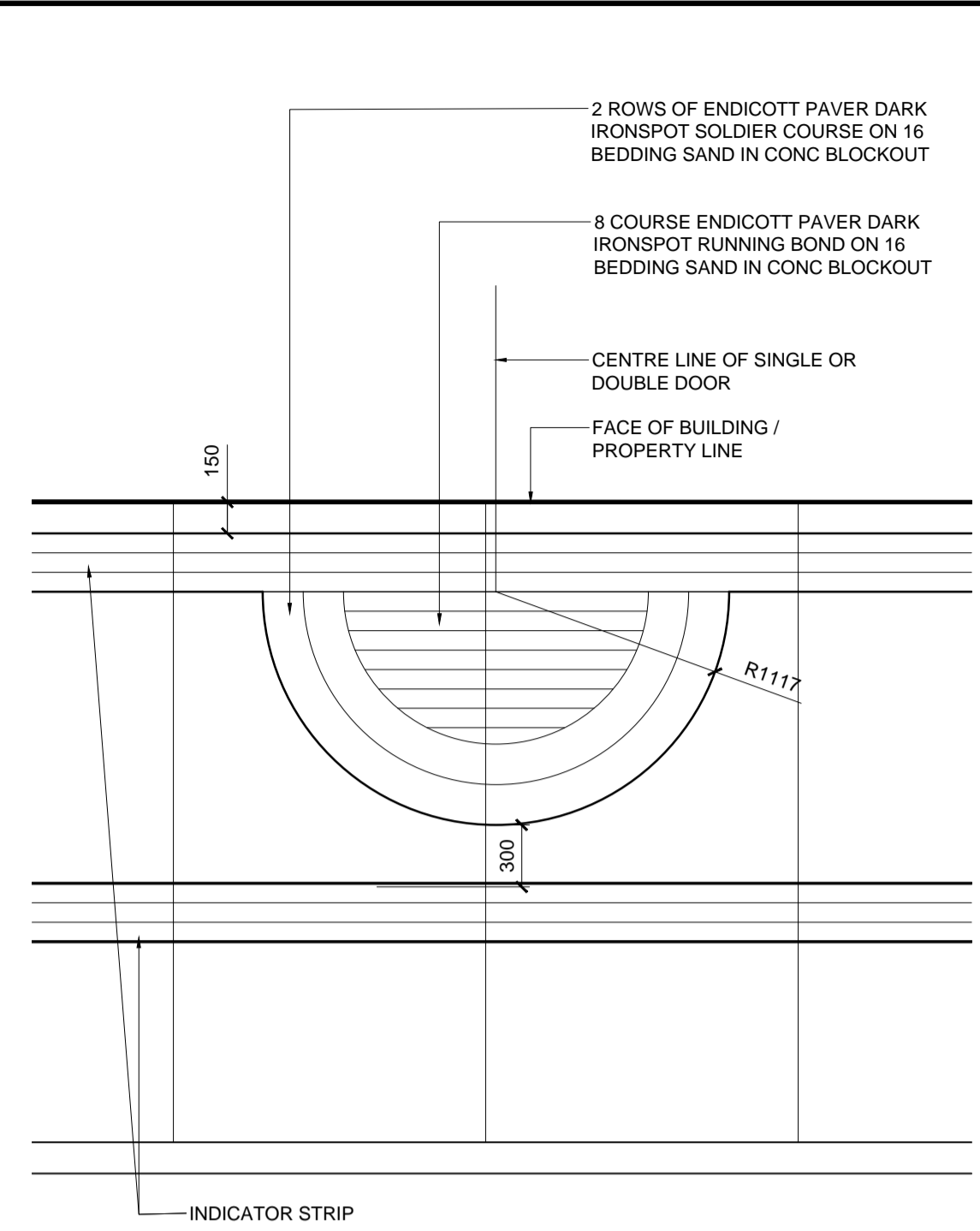
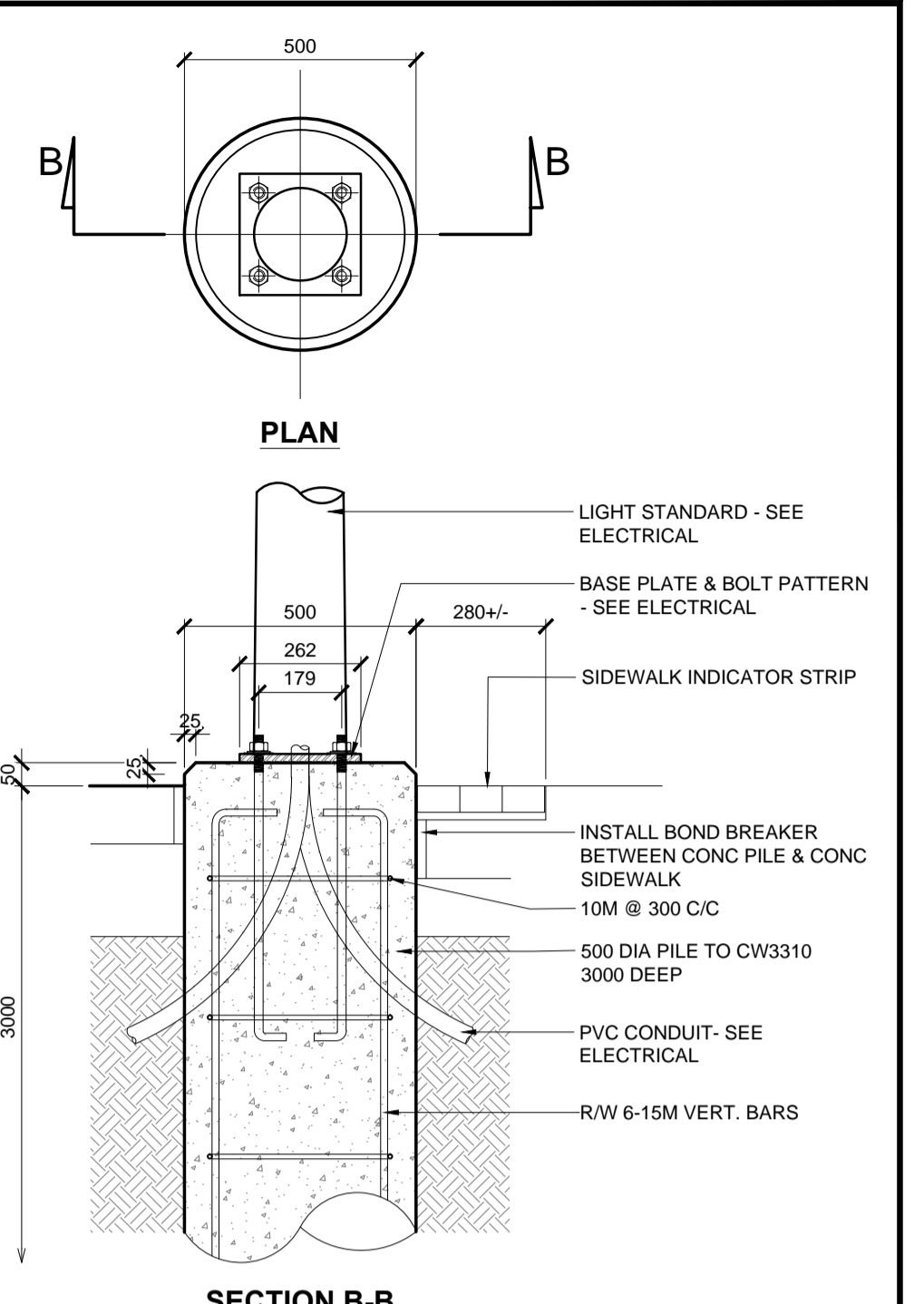


**1** BIKE RACK LAYOUT  
L3.1 SCALE: 1:30

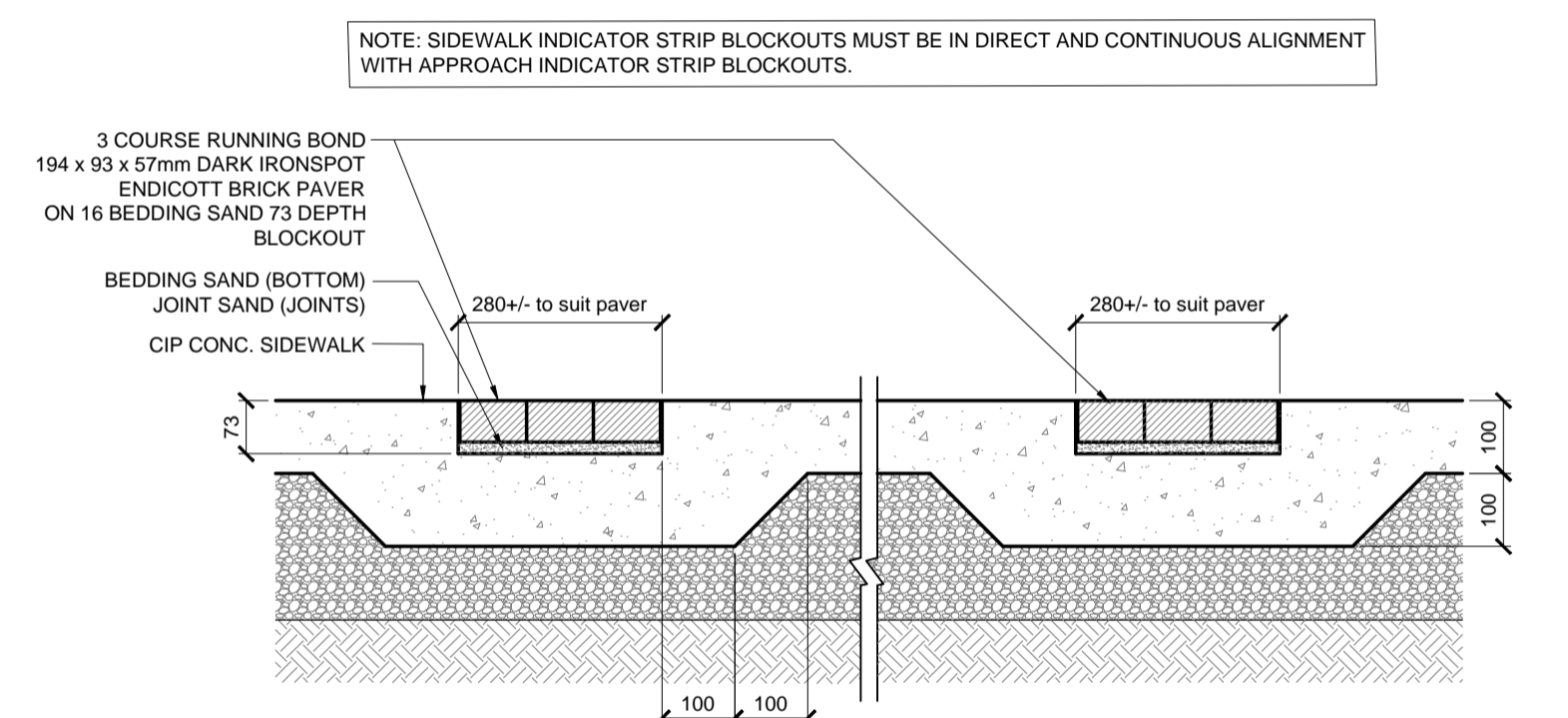


**2** ENTRY PAVING - A  
L3.1 SCALE: 1:30

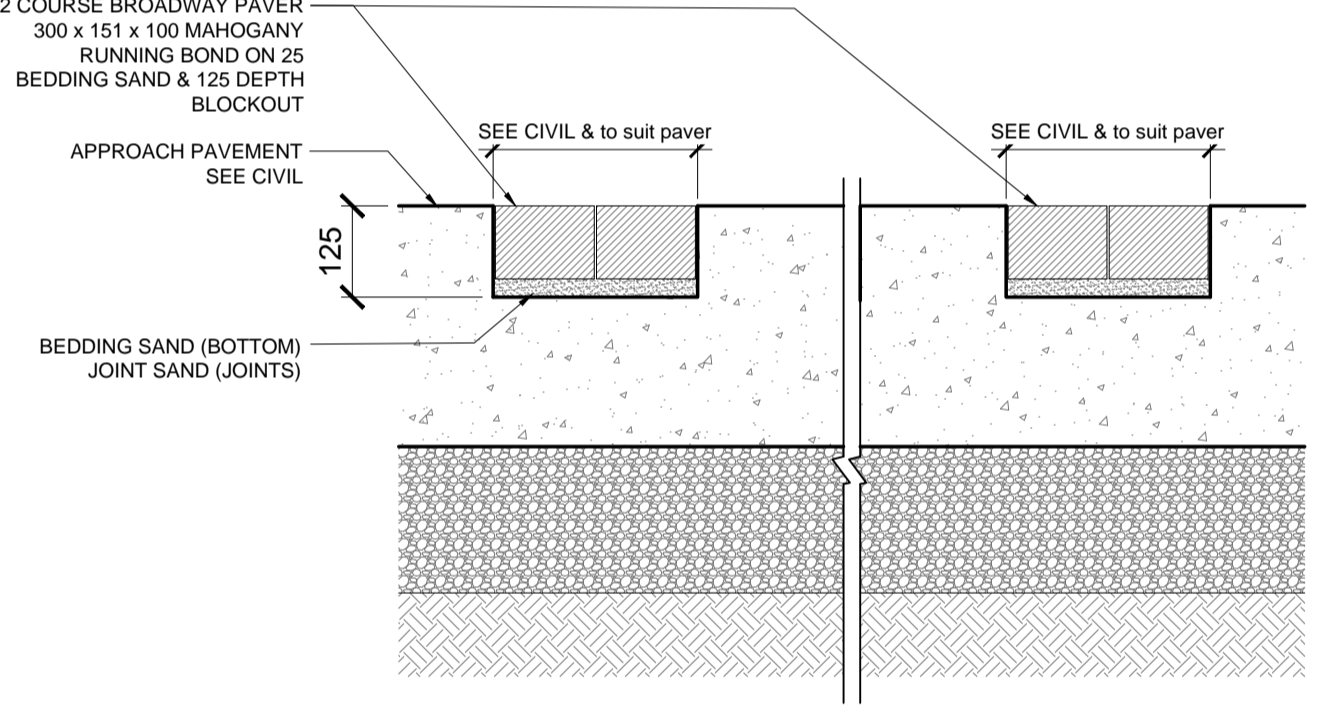
**3** ENTRY PAVING - B  
L3.1 SCALE: 1:30



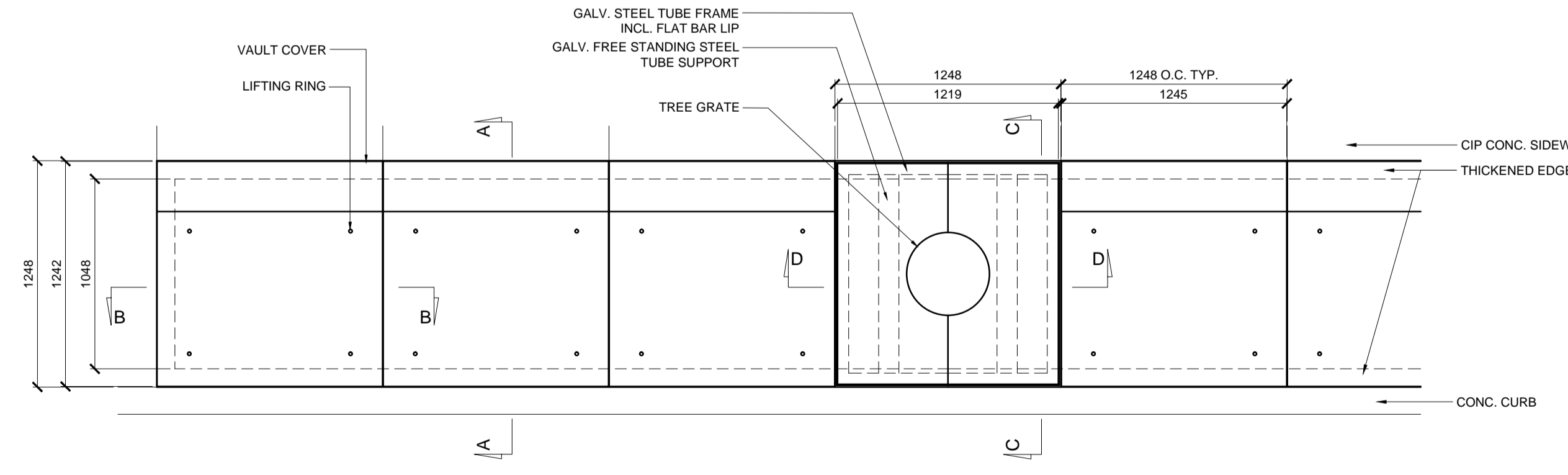
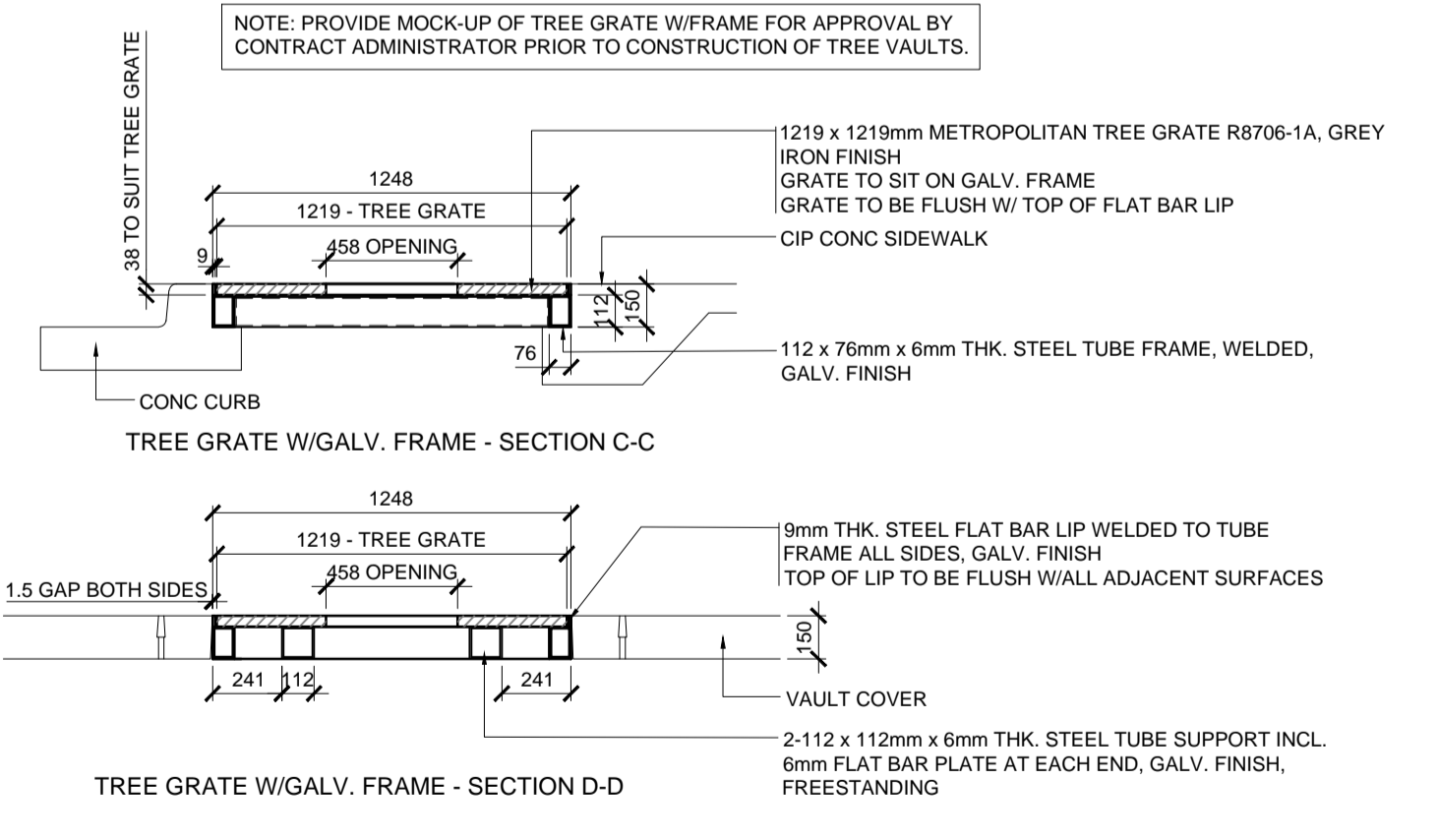
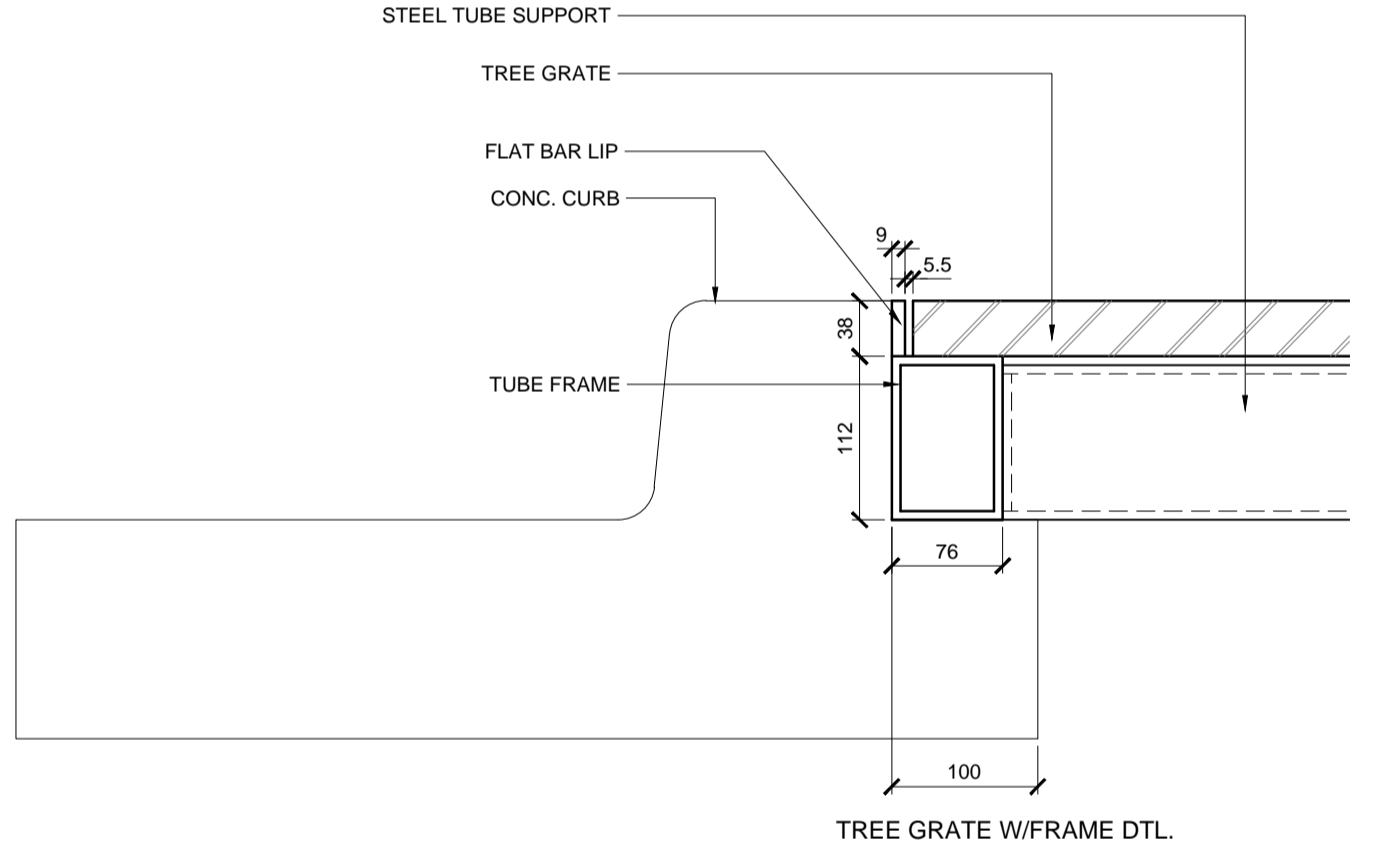
**4** LIGHT STANDARD CONC. PILE  
L3.1 SCALE: 1:15



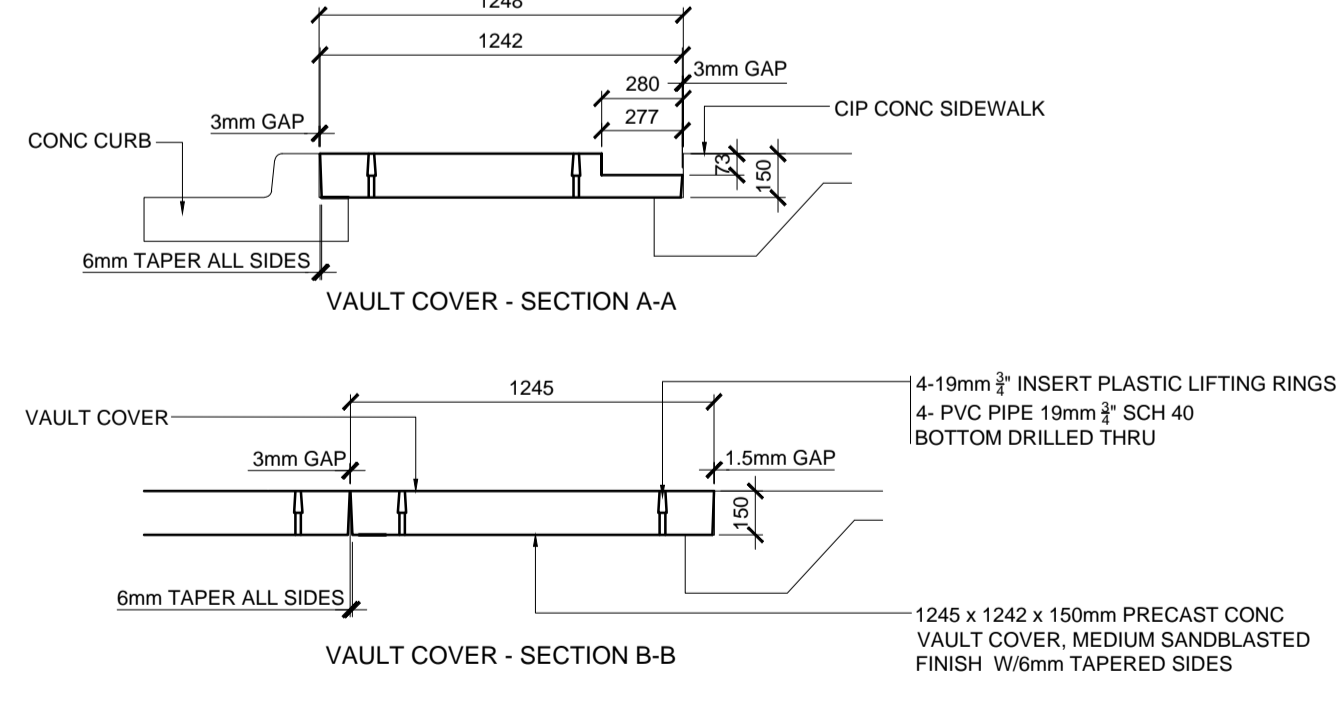
**5** SIDEWALK INDICATOR STRIP: ENDICOTT PAVER  
L3.1 SCALE: 1:10



**6** APPROACH INDICATOR STRIP: BROADWAY PAVER  
L3.1 SCALE: 1:10



**7** CONC VAULT COVER & TREE GRATE W/FRAME  
L3.1 SCALE: 1:25



<b>LOCATIONS APPROVED UNDERGROUND STRUCTURES</b> SIGNED BY: _____ DATE: _____ SUPV UG STRUCTURES		<b>G.B.M. ELEV.</b> <table border="1"> <tr><td> </td><td> </td><td> </td><td> </td></tr> <tr><td> </td><td> </td><td> </td><td> </td></tr> <tr><td> </td><td> </td><td> </td><td> </td></tr> <tr><td> </td><td> </td><td> </td><td> </td></tr> </table>																		 DESIGNED BY: <b>JH</b> CHECKED BY: <b>GM</b> DRAWN BY: <b>JH</b> APPROVED BY: <b>GM</b>		ENGINEER'S SEAL  CONSULTANT ACAD DWG. NO. <b>L3.1</b>		 <b>THE CITY OF WINNIPEG</b> PUBLIC WORKS DEPARTMENT ENGINEERING SERVICES DIVISION CITY OF WINNIPEG		CITY DRAWING NUMBER SHEET <b>3</b> OF <b>3</b>	
LOCATION OF UNDERGROUND STRUCTURES AS SHOWN ARE BASED ON THE BEST INFORMATION AVAILABLE BUT NO GUARANTEE IS GIVEN THAT ALL EXISTING UTILITIES ARE SHOWN OR THAT THE GIVEN LOCATIONS ARE EXACT CONFIRMATION OF EXISTENCE AND EXACT LOCATION OF ALL SERVICES MUST BE OBTAINED FROM THE INDIVIDUAL UTILITIES BEFORE PROCEEDING		NO. REVISIONS <table border="1"> <tr><td>2</td><td>ISSUED FOR TENDER</td><td>02/07/17</td><td>JH</td></tr> <tr><td>1</td><td>ISSUED FOR UG STRUCTURES REVIEW</td><td>01/13/17</td><td>JH</td></tr> </table>		2	ISSUED FOR TENDER	02/07/17	JH	1	ISSUED FOR UG STRUCTURES REVIEW	01/13/17	JH	HORIZ. SCALE: <b>AS NOTED</b> VERTICAL SCALE: <b>AS NOTED</b> DATE: <b>01/13/17</b>		RELEASED FOR CONSTRUCTION DATE: <b>01/13/17</b>		<b>2017 NORTHEAST EXCHANGE DISTRICT STREET RENEWAL: PACIFIC AVENUE AND 1919 GENERAL STRIKE MONUMENT LAYOUT, PAVING &amp; DETAILS</b>		BID NO. <b>27-2017</b>									
2	ISSUED FOR TENDER	02/07/17	JH																								
1	ISSUED FOR UG STRUCTURES REVIEW	01/13/17	JH																								

Feb 07 2017 - 4:36pm  
 \\sra\HTFC\FILE\_SERVER\2015\15-043 East Exchange Phase 2\ACAD\Drawings\15-089 Pacific Paving & Conc Details - tab\3.1 Pacific Paving & Conc Details