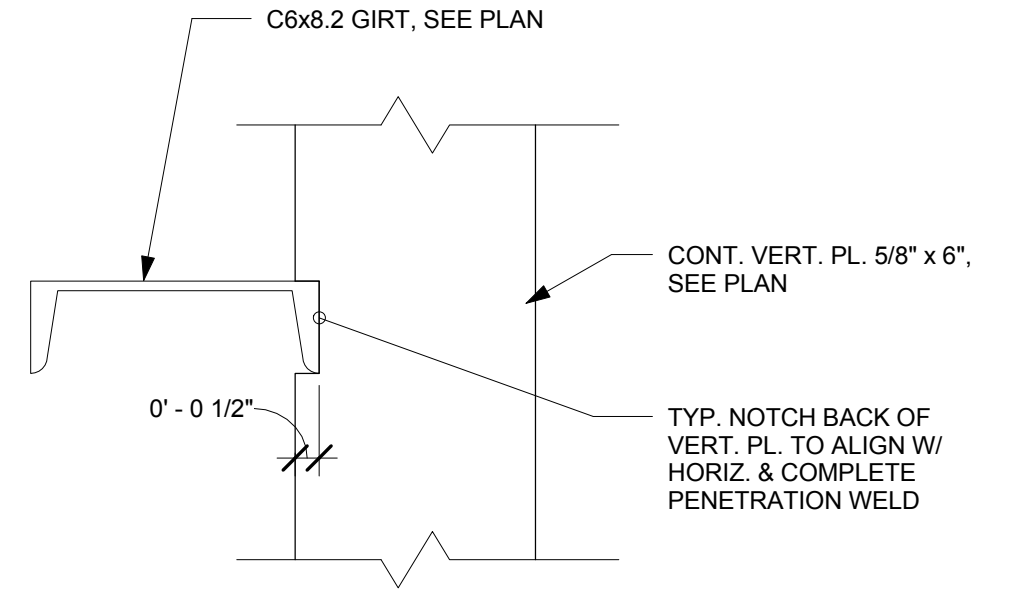
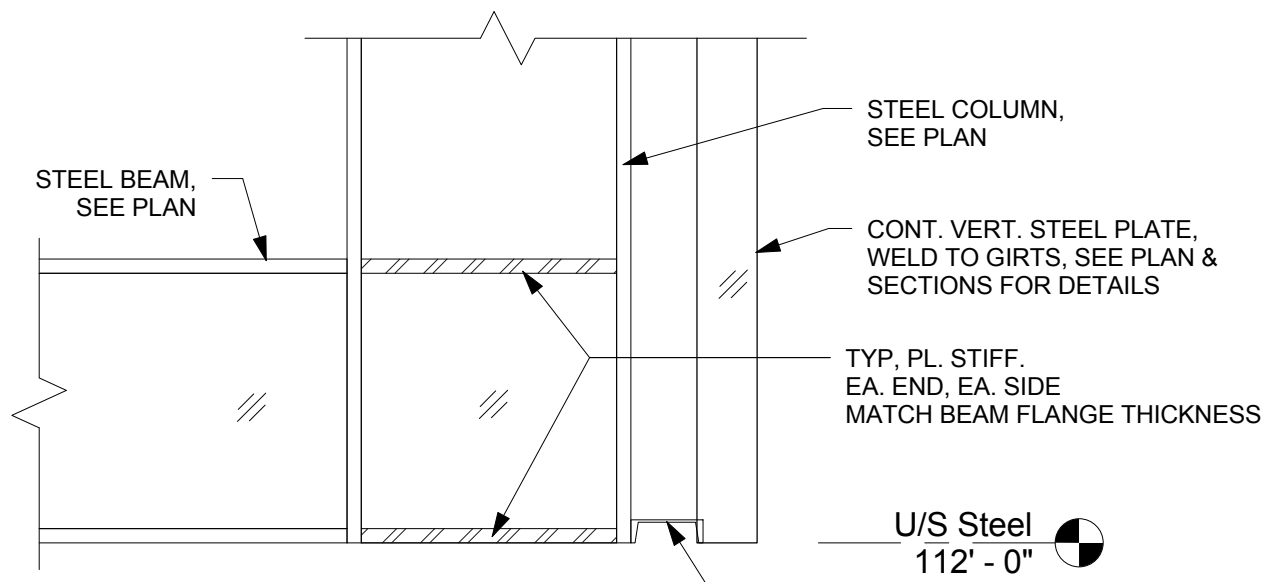


2 SECTION DETAIL
3" = 1'-0"



1 SECTION DETAIL
3/4" = 1'-0"



3 SECTION DETAIL
3/4" = 1'-0"

APEGM
Certificate of Authorization
Wolfrom Engineering Ltd.
No. 1156 Expiry: April 30, 2017

WOLFROM ENGINEERING LTD CONSULTING ENGINEERS 345 WARDLAW AVENUE WINNIPEG, CANADA R3L 0L5 (204)452-0041 FAX: 284-8680 E-Mail: info@wolfromeng.com	DATE	11/28/16	0 ISSUED FOR CONSTRUCTION	2016.11.28	JCR
	SCALE	As indicated	SEAL 		
	JOB TITLE	1919 Monument Winnipeg, Manitoba			
	DRAWING NO.	S-11			