

TYP. COLUMNS SHOWN FOR REFERENCE ONLY, SEE ROOF FRAMING PLAN & SCHEDULE FOR DETAILS

NOTE: SITE CONFIRM EXIST. DIM'S & CONFIRM DIMENSIONS W/ ARCH.

CB-1: 24"x24" CONC. BEAM ON 6" VOIDFORM R/W 4-25M CONT. TOP & BOTT. W/ 10M STIRRUPS @ 12" o/c PROVIDE ADDN'L 2-15M VERT. ALONG FACE OF OUTSIDE STIRRUP EA. END REFER TO ARCH. FOR DIMENSIONS & PROFILE

- 1 CONCRETE PILE SCHEDULE**
- P-1: 24"Ø x 35' DP. C.I.P. CONC. PILE R/W 6-20M x 25' LG. W/ 10M RINGS @ 24" O/C TOP 3 RINGS @ 6" O/C C/W POLY WRAPPED SONO TUBE TOP 8'-0"
 - P-2: 16"Ø x 25' DP. C.I.P. CONC. PILE R/W 6-20M x 25' LG. W/ 10M RINGS @ 24" O/C TOP 3 RINGS @ 6" O/C C/W POLY WRAPPED SONO TUBE TOP 8'-0"

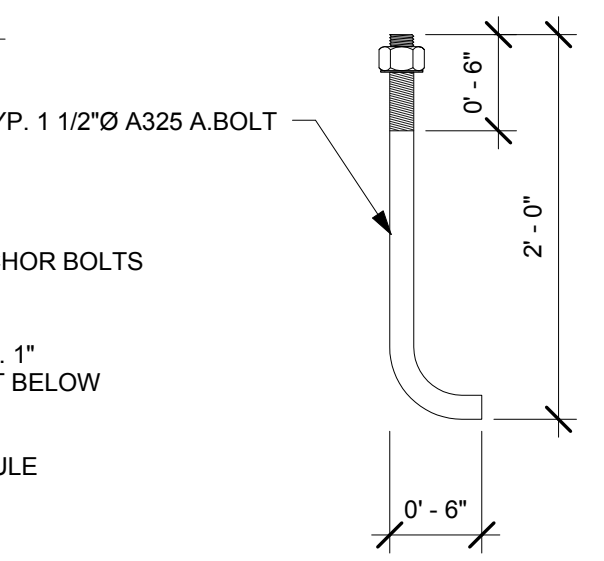
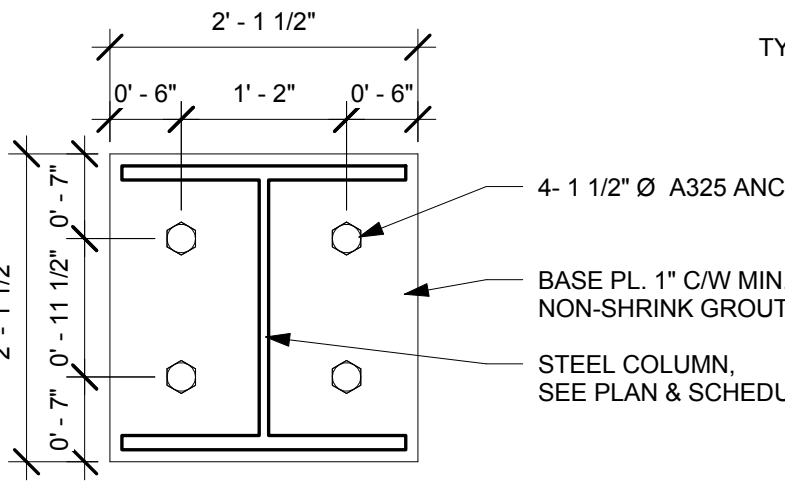
- 1 CONCRETE PILE CAP SCHEDULE**
- PC-1: 4'x4'x4' DP. CONC. PILECAP R/W 7-20M BARS EA. WAY TOP & BOTT. HORIZ. W/ 6-15M VERT. EA. FACE HOOK TOP & BOTT. BARS EA. SIDE 3'-0" ON 6" VOIDFORM
 - PC-2: SIM TO PC-1, SEE PLAN FOR DIM'S



NOTE: EXTEND PILE REINF. INTO PILECAP AS PER DETAIL

1	PILE & PILE CAP CLARIFICATION	2016.12.02	JCR
0	ISSUED FOR CONSTRUCTION	2016.11.28	JCR

1 FOUNDATION FRAMING PLAN
3/16" = 1'-0"



2 TYP. COLUMN BASE PLATE DETAIL
3/4" = 1'-0"

3 TYP. ANCHOR BOLT DETAIL
1" = 1'-0"

WOLFROM ENGINEERING LTD
CONSULTING ENGINEERS
345 WARDLAW AVENUE
WINNIPEG, CANADA R3L 0L5
(204)452-0041 FAX: 284-8680
E-Mail: info@wolfromeng.com

DATE	11/28/16
SCALE	As indicated
FILE NO.	W16124
DRAWING NO.	S-3

SEAL