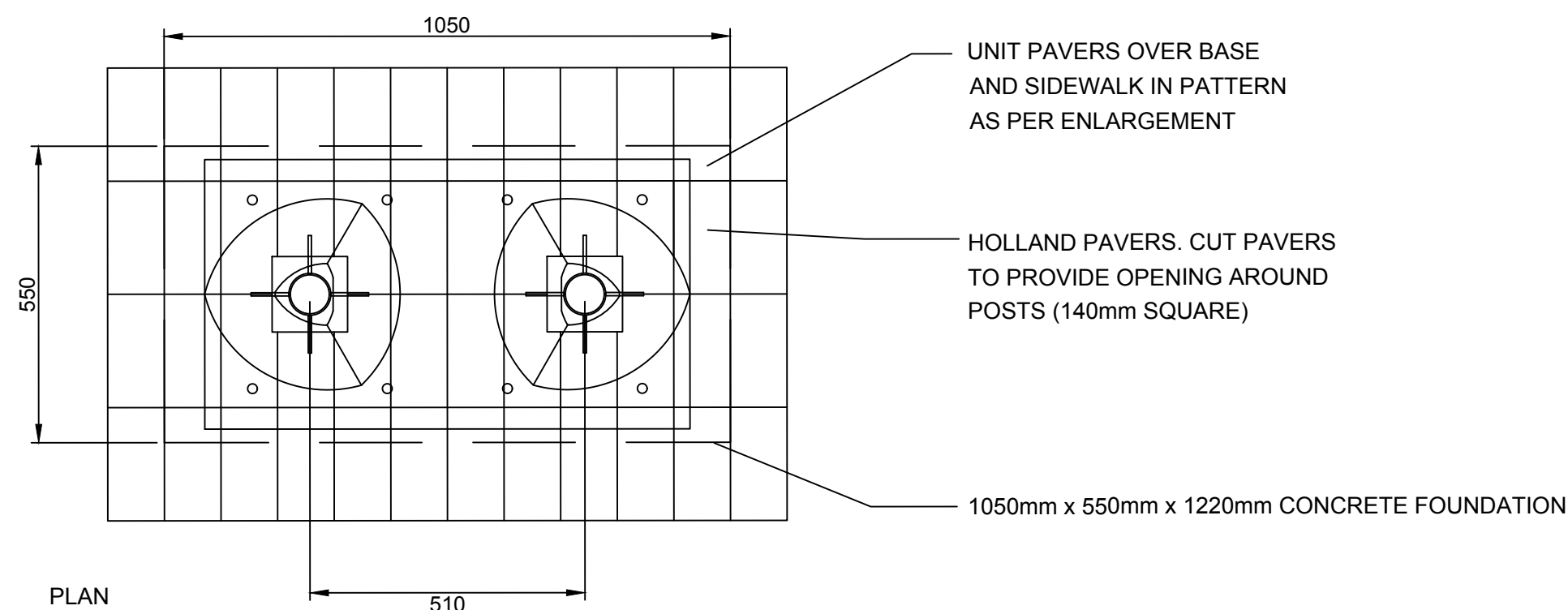


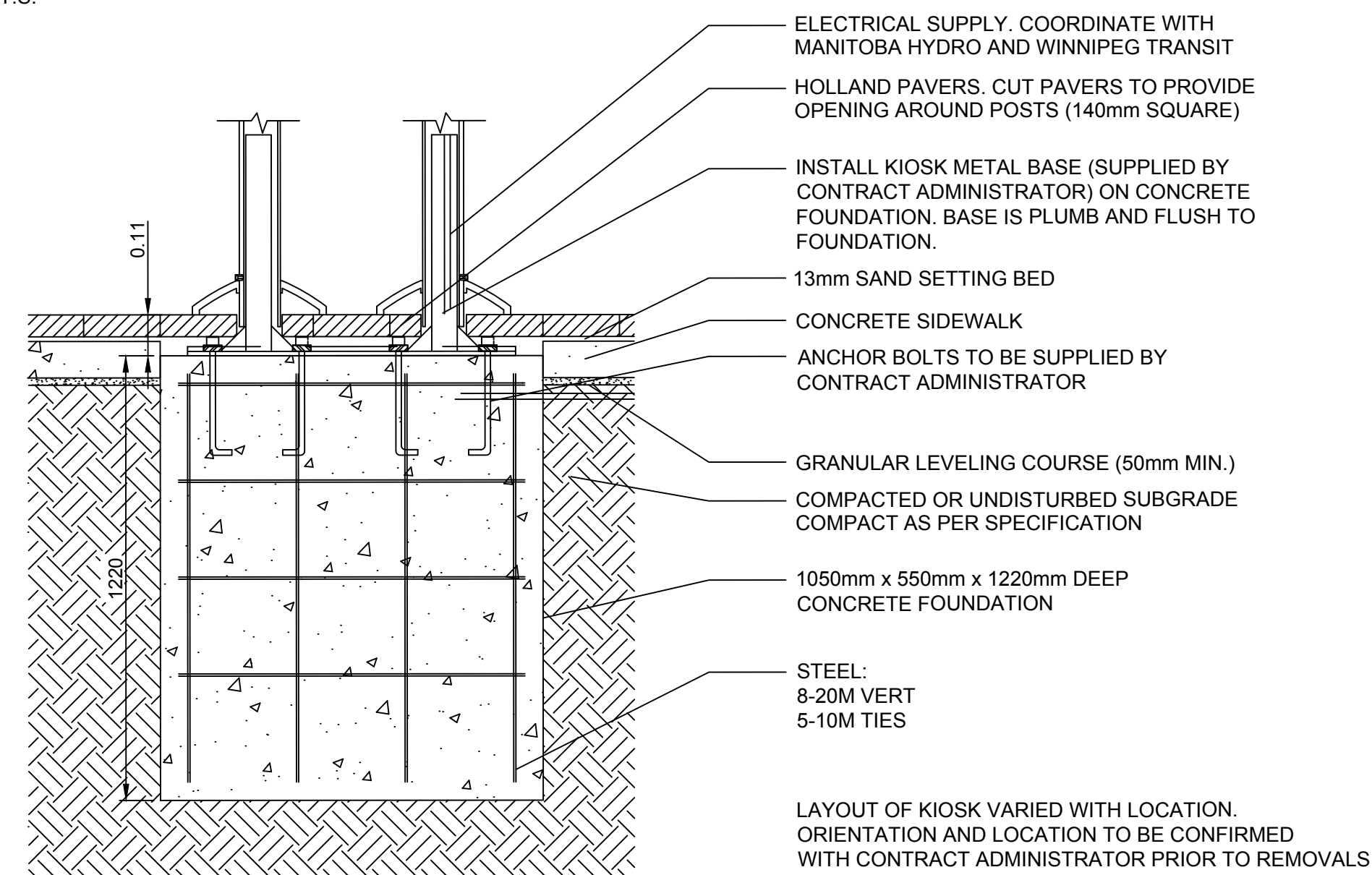
DETAIL D: BUS STOP #60027 BOARDING PLATFORM WITH SHELTER AT DEVOS ROAD

N.T.S.



INFORMATION KIOSK FOUNDATION

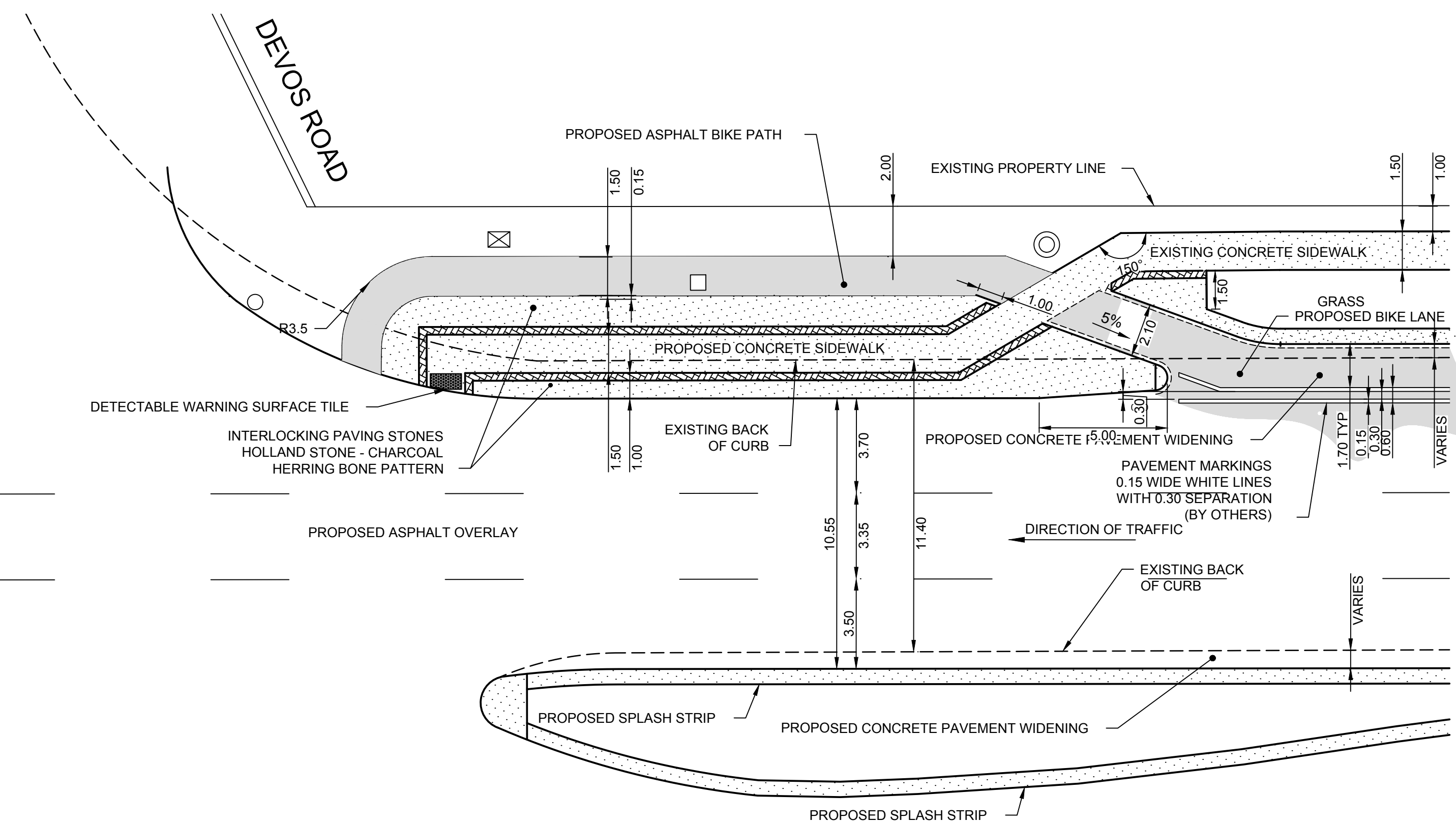
N.T.S.



SECTION

INFORMATION KIOSK FOUNDATION

N.T.S.



DETAIL E: BOARDING PLATFORM AT SOUTHBOUND PEMBINA HIGHWAY AND DEVOS ROAD

N.T.S.

PRELIMINARY
NOT TO BE USED FOR CONSTRUCTION

CONSTRUCTION NOTES

- 1) CURB REPLACEMENT AS DIRECTED BY THE CONTRACT ADMINISTRATOR.
- 2) ALL STREET RADIUS CURB UNDER 15M RADIUS SHALL BE REPLACED AS MODIFIED OR AS DIRECTED BY THE CONTRACT ADMINISTRATOR.
- 3) PAVEMENT REPAIRS SHOWN ARE ONLY A REPRESENTATIVE SAMPLE OF THE TENDERED QUANTITIES.
- 4) ASPHALT TIE-INS ON APPROACHES TO BE DETERMINED IN THE FIELD BY THE CONTRACT ADMINISTRATOR.
- 5) ALL BULLNOSES TO HAVE SLOPED FACE.
- 6) INSTALL DETECTABLE WARNING TILE SURFACES AT INDICATED CURB RAMPS AS PER CW-326.
- 7) REGRADE BOULEVARD TO NEW GRADE AS REQUIRED.

WARNING

IF POWER EQUIPMENT OR EXPLOSIVES ARE TO BE USED FOR EXCAVATION ON THIS PROJECT THE CONTRACTOR MUST:

- 1) OBTAIN CLEARANCE FROM THE GAS UTILITY PRIOR TO EXCAVATION.
- 2) TAKE PRECAUTION TO AVOID DAMAGE TO GAS UTILITY INSTALLATIONS.

SEE PROVINCIAL REGULATION 210/72 FOR DETAILS

METRIC
WHOLE NUMBERS INDICATE MILLIMETRES
DECIMALIZED NUMBERS INDICATE METRES

BID OPPORTUNITY NO. 3-2017

EXISTING	LEGEND - PLAN	PROPOSED	EXISTING	LEGEND - PLAN	PROPOSED	EXISTING	LEGEND - PROFILE	PROPOSED
⊕	HYDRANT	⊕	---	LDS/WWS	---	▒	CONCRETE	▒
⊕	VALVE	⊕	---	WATERMAIN	---	▒	CONCRETE SIDEWALK	▒
⊕	CURB STOP	⊕	---	GAS	---	▒	ASPHALT	▒
⊕	MANHOLE	⊕	---	TRAFFIC SIGNALS	---	---	---	---
⊕	CATCH BASIN	⊕	---	HYDRO/STREET LIGHT	---	---	---	---
⊕	CURB INLET	⊕	---	MTS	---	---	---	---
⊕	UTILITY BOX	⊕	---	CURB RENEWAL	---	---	---	---
⊕	LIGHT STANDARD	⊕	---	PROPERTY LINE	---	---	---	---
⊕	TRAFFIC SIGNAL POLE	⊕	---	RAMP CURB	---	---	---	---
⊕	SURVEY BAR	⊕	---	ELEVATIONS	231.000	---	---	---
⊕	GEODETIC BENCH MARK	⊕	---	TREE	---	---	---	---

LOCATION APPROVED
UNDERGROUND STRUCTURES

DATE

NOTE:
LOCATION OF UNDERGROUND STRUCTURES AS SHOWN ARE BASED ON THE BEST INFORMATION AVAILABLE. BUT NO GUARANTEE IS GIVEN THAT ALL EXISTING UTILITIES ARE SHOWN OR THAT THE GIVEN LOCATIONS ARE EXACT. CONFIRMATION OF EXISTENCE AND EXACT LOCATION OF ALL SERVICES MUST BE OBTAINED FROM THE INDIVIDUAL UTILITIES BEFORE PROCEEDING WITH CONSTRUCTION.

NO.	REVISIONS	DATE	BY
1.	SUBMIT FOR PLAN APPROVAL	17/03/24	R.C.
2.	SUBMIT FOR ENGINEERS REVIEW	17/02/06	R.C.

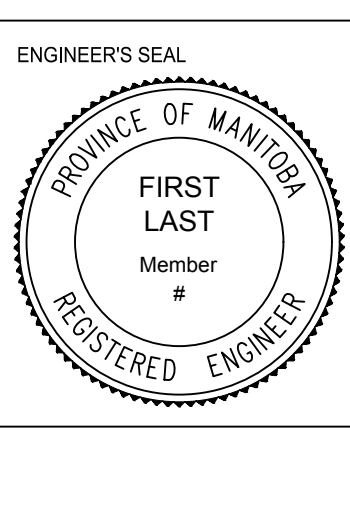
ENGINEERING DIVISION
TECHNOLOGY SERVICES BRANCH
106 - 1155 PACIFIC AVE

DESIGNED BY: R.M./M.S.
CHECKED BY: R.W.

DRAWN BY: R.M./M.S.
APPROVED BY:

HOR. SCALE: 1 : 250
VERTICAL: 1 : 10

DATE: 2017/03/24



THE CITY OF WINNIPEG
PUBLIC WORKS DEPARTMENT

PEMBINA HIGHWAY
FROM DEVOS RD. TO KIRKBRIDGE DR./KILLARNEY AVE.
REHABILITATION/ACTIVE TRANSPORTATION CORRIDOR
AND ASSOCIATED WORKS

CITY DRAWING NUMBER: P-3480-11
SHEET 11 OF 13

11