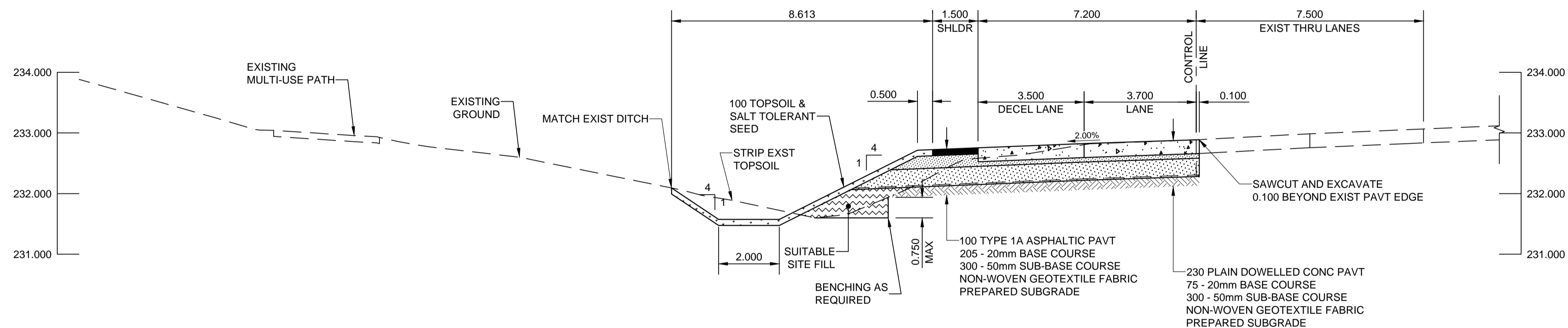


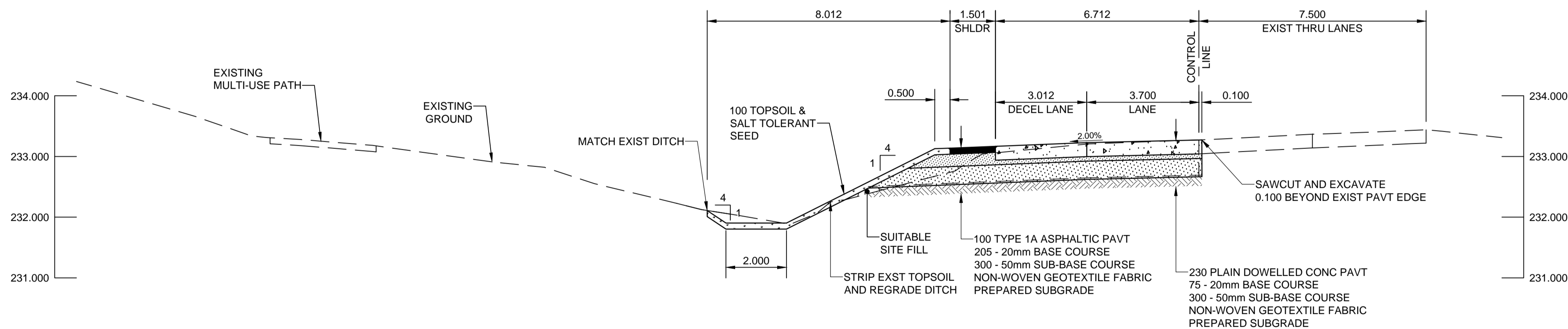
SECTION A
PAVEMENT STRUCTURE
0+900.000

HORIZONTAL SCALE: 1:100
VERTICAL SCALE: 1:50



SECTION B
PAVEMENT STRUCTURE
1+100.000

HORIZONTAL SCALE: 1:100
VERTICAL SCALE: 1:50



SECTION C
PAVEMENT STRUCTURE
1+200.000

HORIZONTAL SCALE: 1:100
VERTICAL SCALE: 1:50

METRIC
WHOLE NUMBERS INDICATE MILLIMETRES
DECIMALIZED NUMBERS INDICATE METRES

---	GAS	○	MANHOLE	●	CONCRETE PAVEMENT
- - -	MTS / PEDESTAL	□	CATCH BASIN / CATCH PIT	■	CONC SIDEWALK / MEDIAN
- - -	HYDRO / CABINET	△	CURB INLET WITH BOX	▲	ASPHALT PAVEMENT
- - -	CATV / FIBRE OPTIC	⊙	TREE	▨	PAVING STONE
- - -	TRAFFIC SIGNALS / PIT	⊕	TEST HOLE	▩	GRAVEL
- - -	LAND DRAINAGE SEWER	TH-12	PROPERTY LINE	▬	RAMP CURB
- - -	SANITARY/COMBINED SEWER	⊕	SURVEY BAR	▬	PLANING / REMOVAL
- - -	CB LEAD / SSP / DCP	⊕	FENCE	▬	
- - -	WATER MAIN	⊕	BOC / EDGE OF PAVEMENT	▬	
- - -	SUBDRAIN	33.000	ELEVATION	(33.333)	
- - -	DITCH	⊕	TRAFFIC SIGN		
---	EXISTING	---	LEGEND - PLAN	---	NEW

LOCATION APPROVED
UNDERGROUND STRUCTURES

DATE: _____

NOTE:
LOCATION OF UNDERGROUND STRUCTURES AS SHOWN ARE BASED ON THE BEST INFORMATION AVAILABLE BUT NO GUARANTEE IS GIVEN THAT ALL EXISTING UTILITIES ARE SHOWN OR THAT THE GIVEN LOCATIONS ARE EXACT. CONFIRMATION OF EXISTENCE AND EXACT LOCATION OF ALL SERVICES MUST BE OBTAINED FROM THE INDIVIDUAL UTILITIES BEFORE PROCEEDING WITH CONSTRUCTION.

BM	65-024				
ELEV	232.001 m				
No.	REVISIONS	DATE	BY		
		17/06/20	JGK		
		17/06/09	JGK		
		YY/MM/DD	BY		

MORRISON HERSHFELD

DESIGNED BY: JGK
CHECKED BY: RPB

DRAWN BY: DID
APPROVED BY: BWB

RELEASED FOR CONSTRUCTION

HOR SCALE: AS SHOWN
VERT SCALE: AS SHOWN

DATE: 17/06/09

PROFESSIONAL'S SEAL

PROVINCE OF MANITOBA

J.G. KENNEDY
Member
22326

REGISTERED PROFESSIONAL ENGINEER

CONSULTANT FILE NAME
W170005 Kenaston-XS-29.dwg

THE CITY OF WINNIPEG
PUBLIC WORKS DEPARTMENT
ENGINEERING DIVISION

2017 REGIONAL STREET RENEWAL PROGRAM
KENASTON BOULEVARD WIDENING
MCGILLIVRAY BOULEVARD TO BISHOP GRANDIN BOULEVARD
CROSS SECTIONS
A, B & C

CITY DRAWING NUMBER: P-3482-29
SHEET 29 OF 30
DRAWING No. 29 REV B

BID OPPORTUNITY No. 300-2017