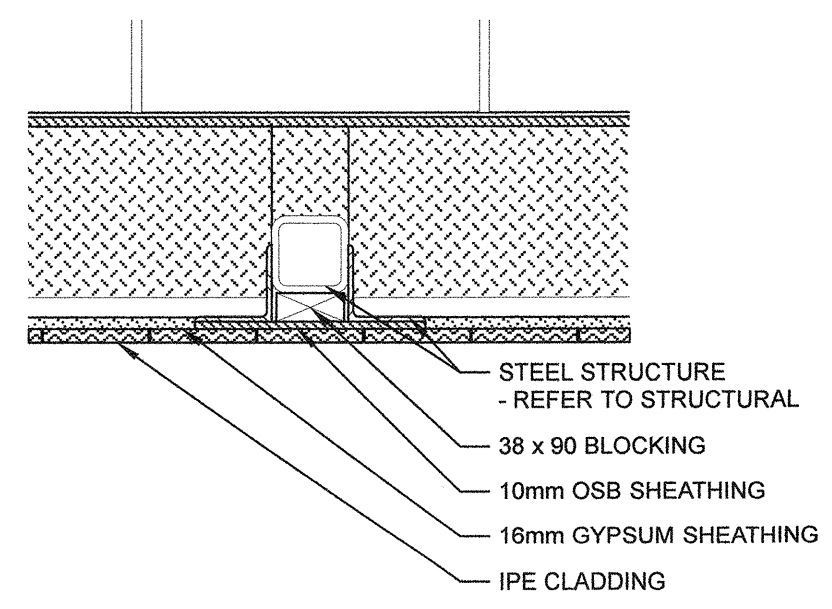
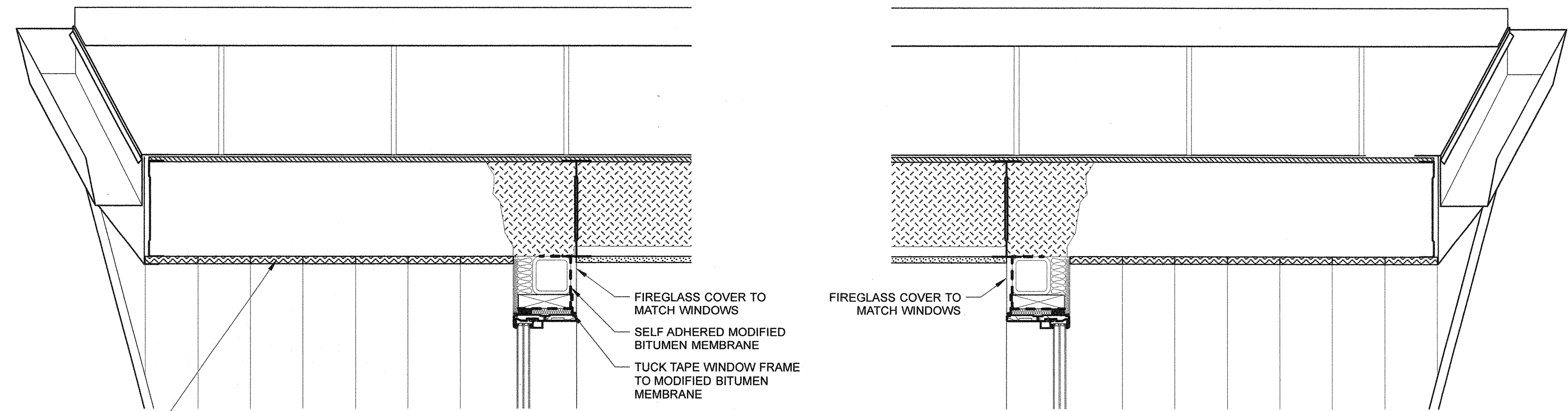
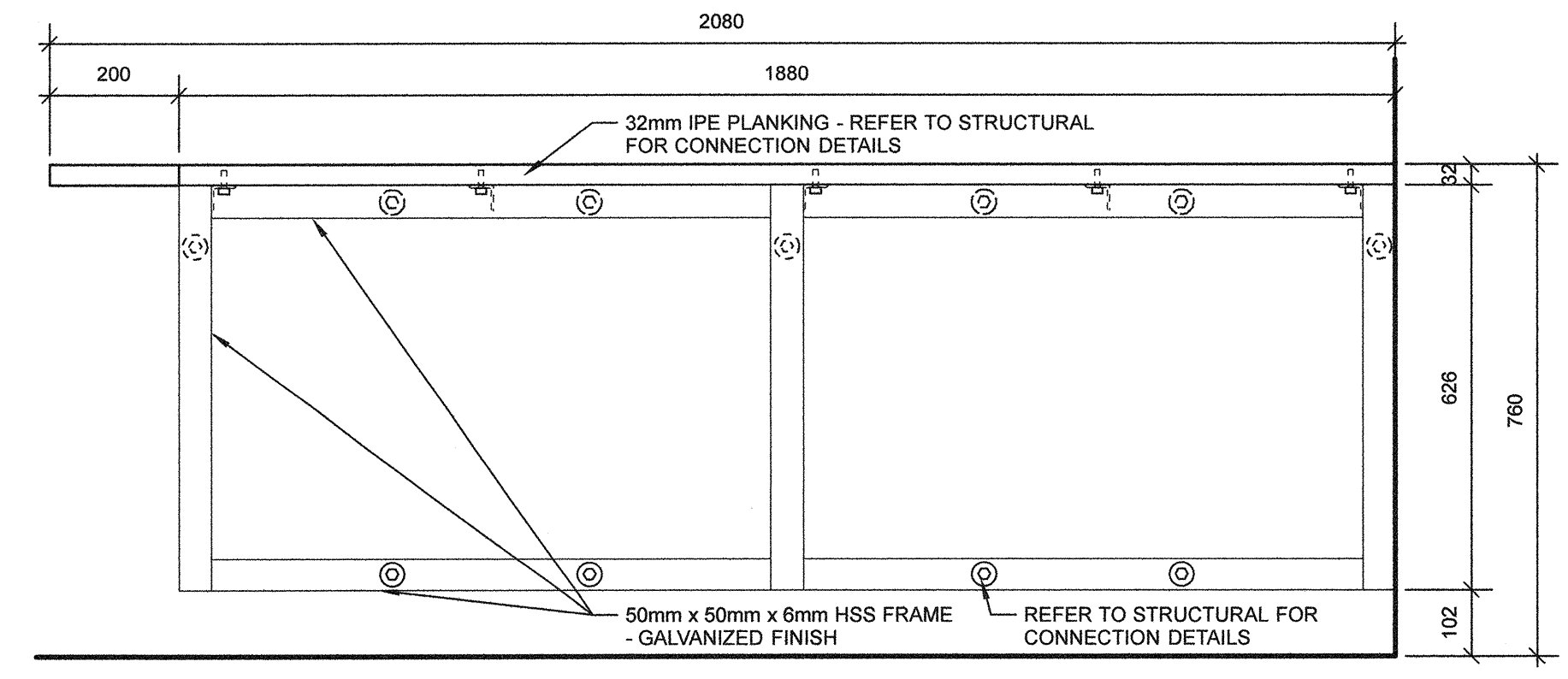
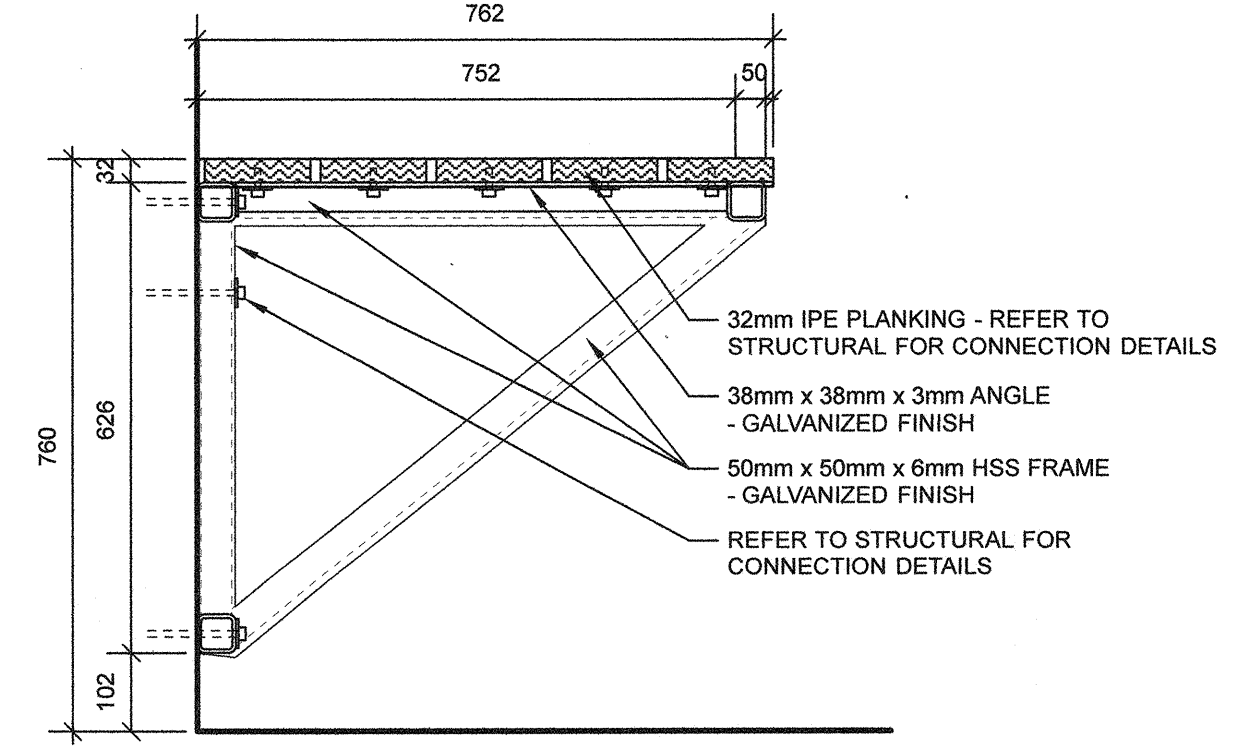


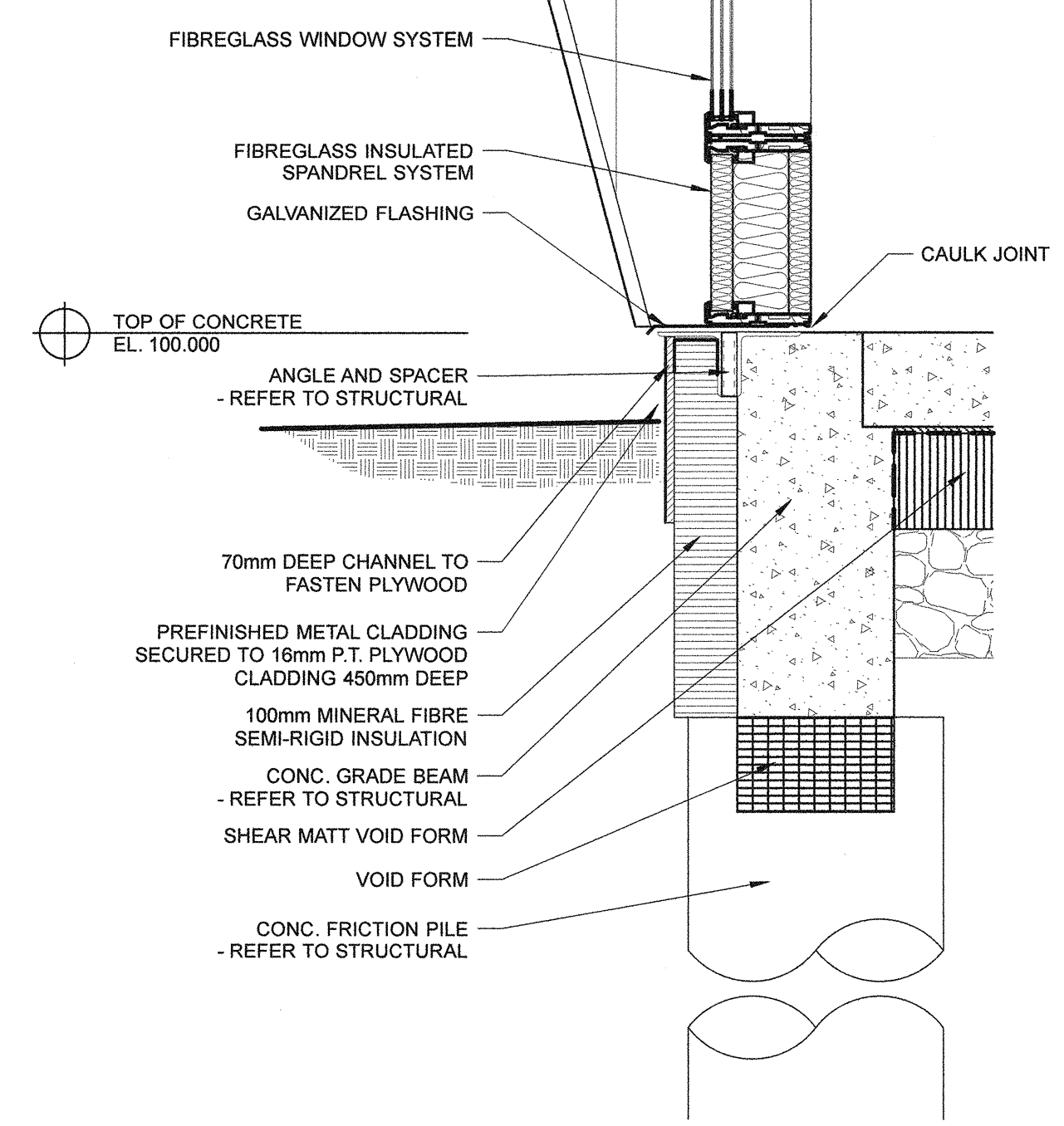
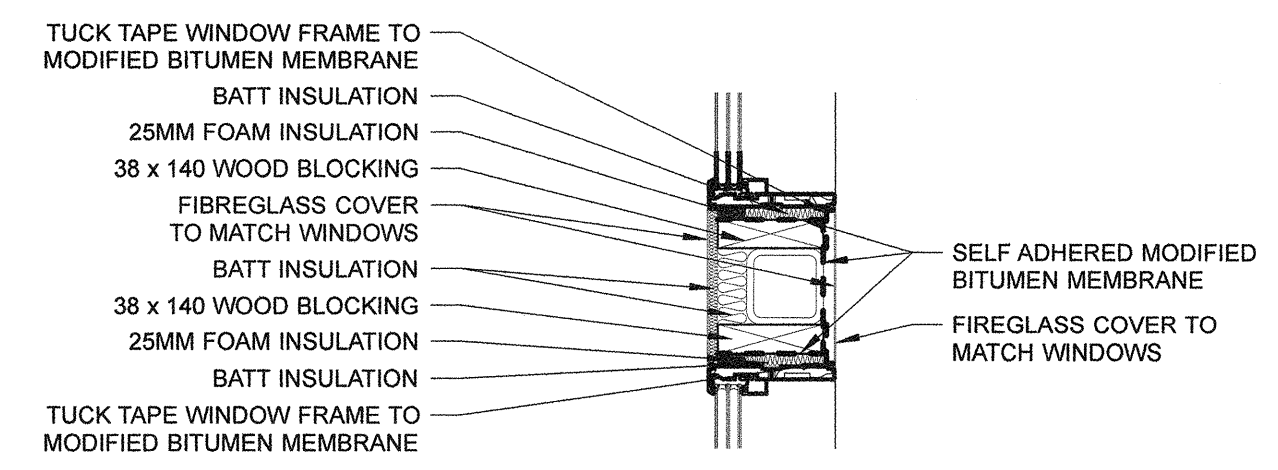
ALL DRAWINGS AND SPECIFICATIONS ARE THE PROPERTY OF THE CONSULTANT AND REPRODUCTIONS MAY BE MADE WITHOUT THE CONSENT OF THE CONSULTANT AND ALL REPRODUCTIONS MUST BEAR THE NAME OF THE CONSULTANT. THE CONTRACTOR SHALL VERIFY ALL DIMENSIONS, DATUMS AND LEVELS NOTED ON THE DRAWINGS WITH THE CONDITIONS ON SITE AND SHALL BE RESPONSIBLE FOR REPORTING ANY ERRORS OR OMISSIONS TO THE ENGINEER FOR ADJUSTMENTS. THIS DRAWING SHALL NOT BE SCALED.



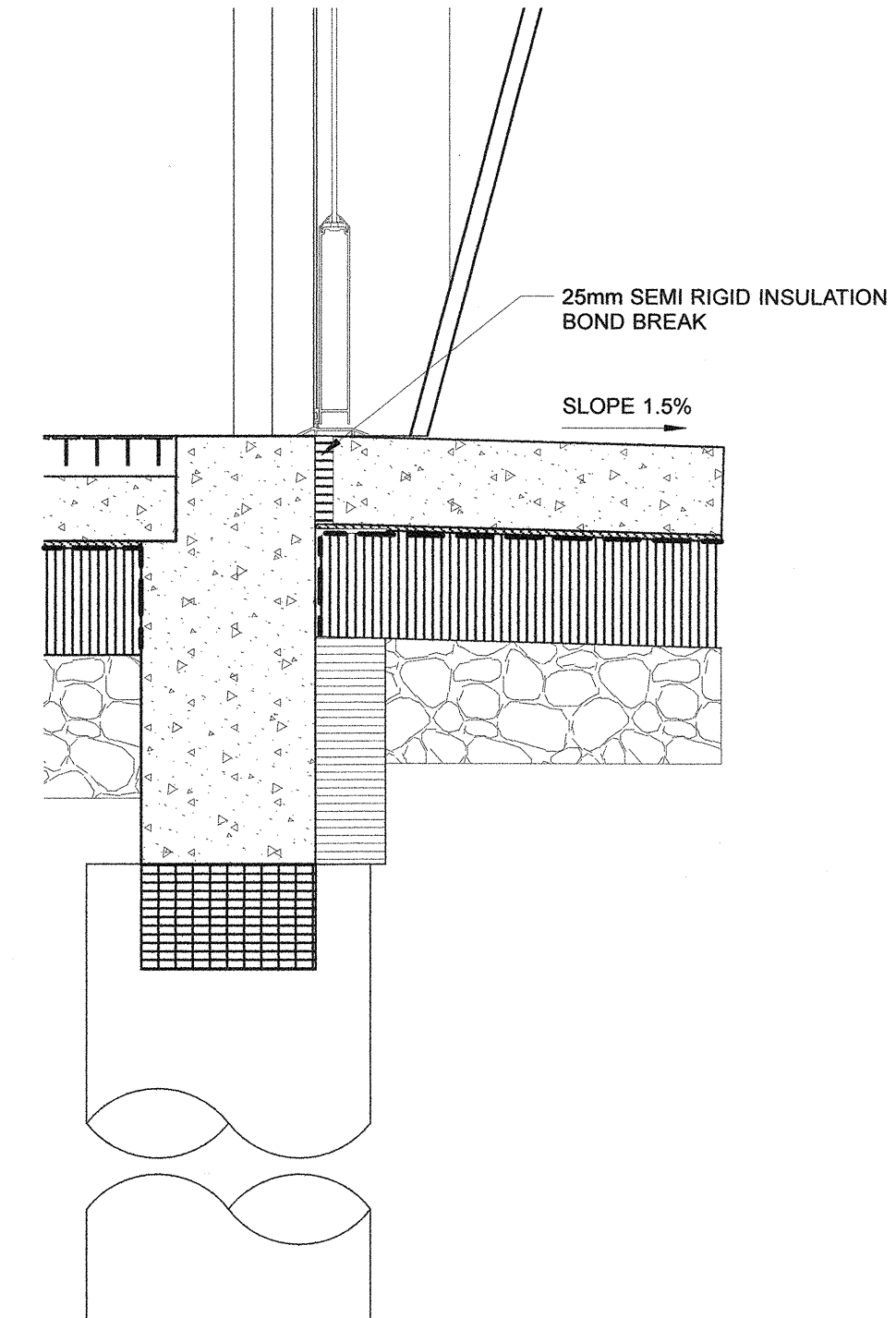
6 BEAM DETAIL
A4.1 A4.3 1/10



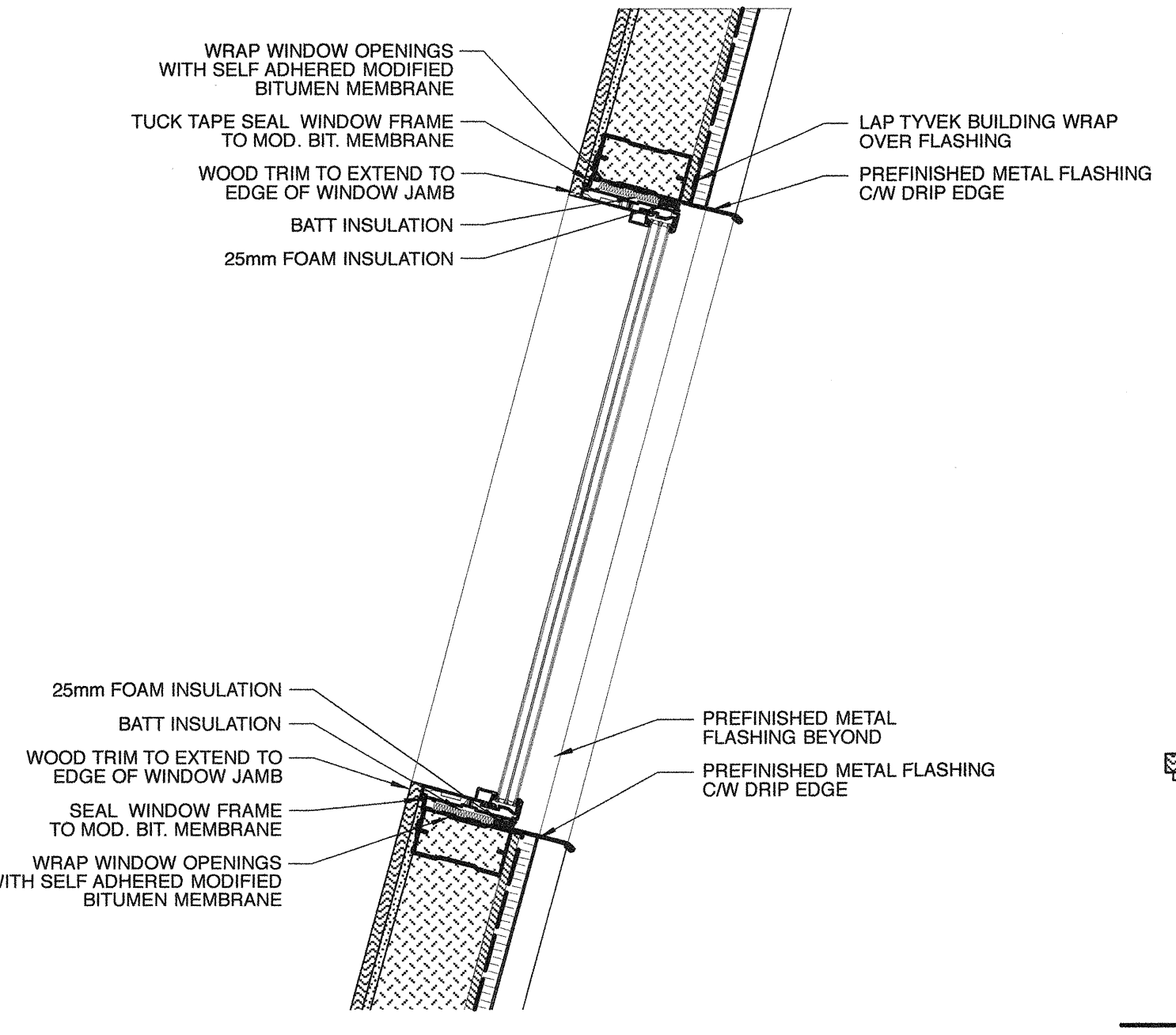
8 CHANGE BENCH DETAIL
A2.1 A4.3 1/10



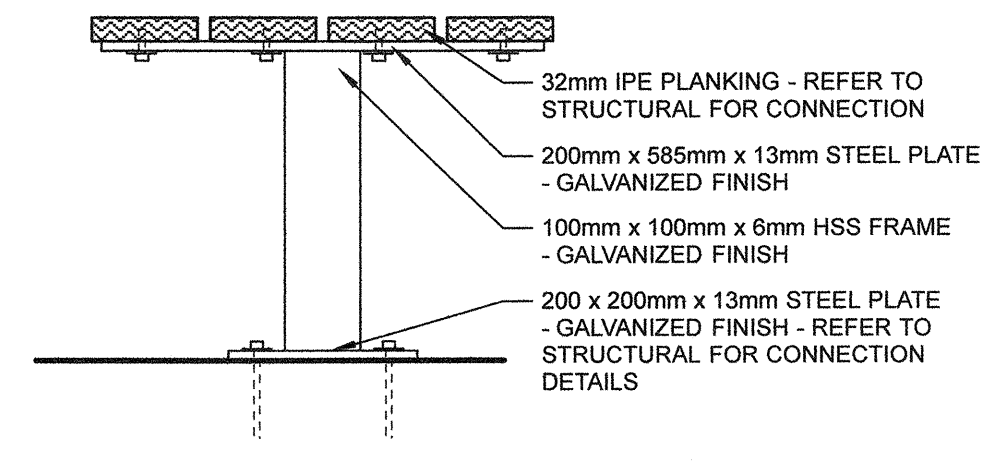
4 WALL SECTION
A4.1 A4.3 1/10



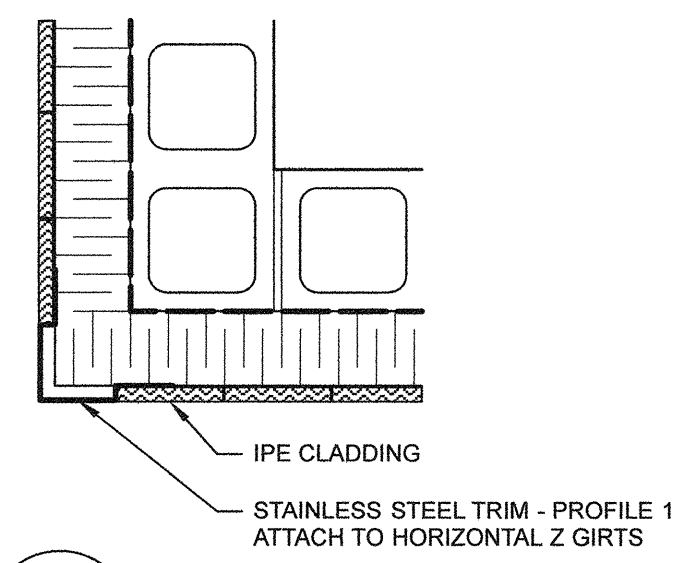
5 WALL SECTION
A4.1 A4.3 1/10



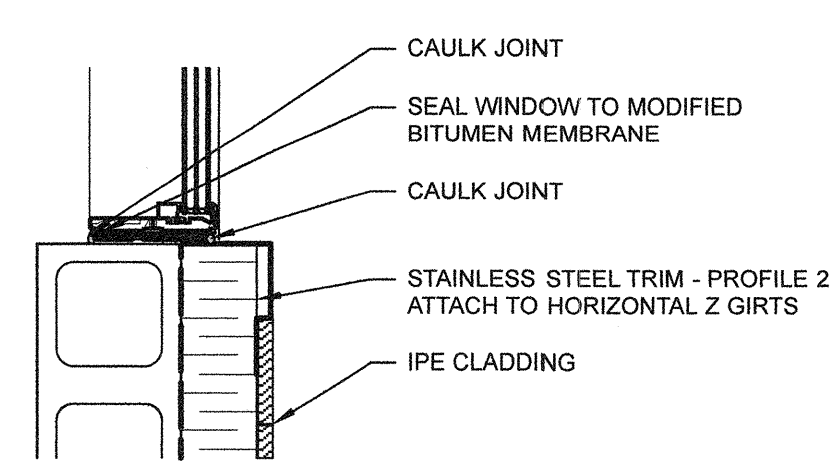
7 WINDOW SECTION
A4.1 A4.3 1/10



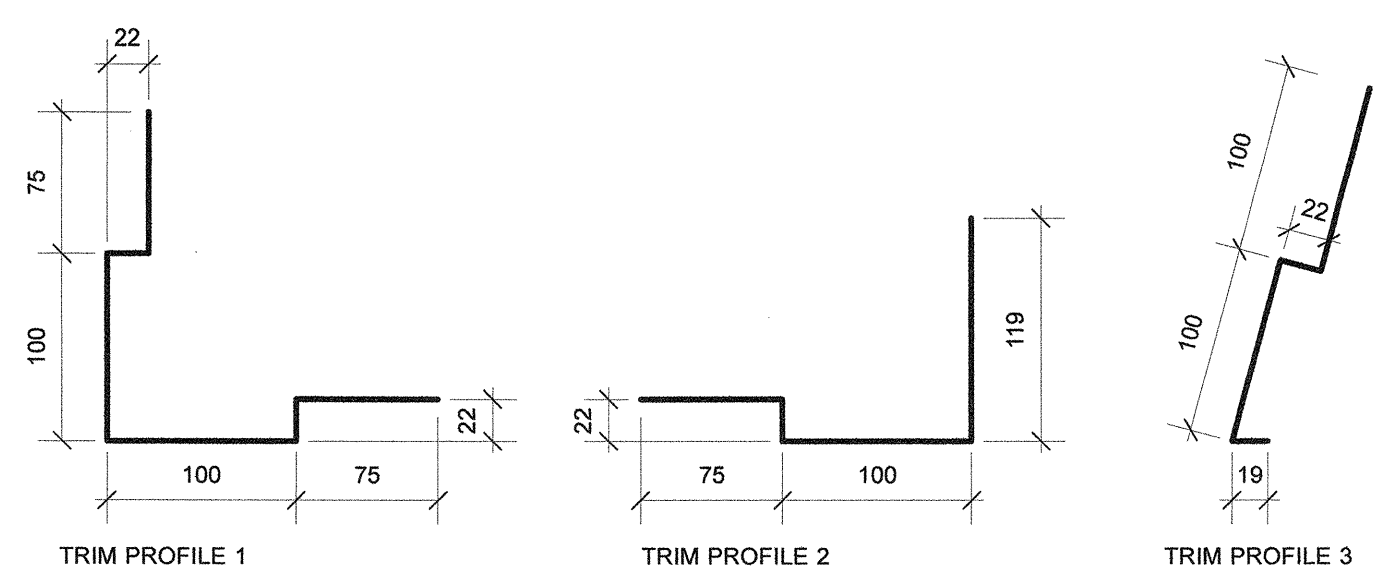
9 BENCH DETAIL
A2.1 A4.3 1/10



10 CORNER DETAIL
A2.1 A4.3 1/4



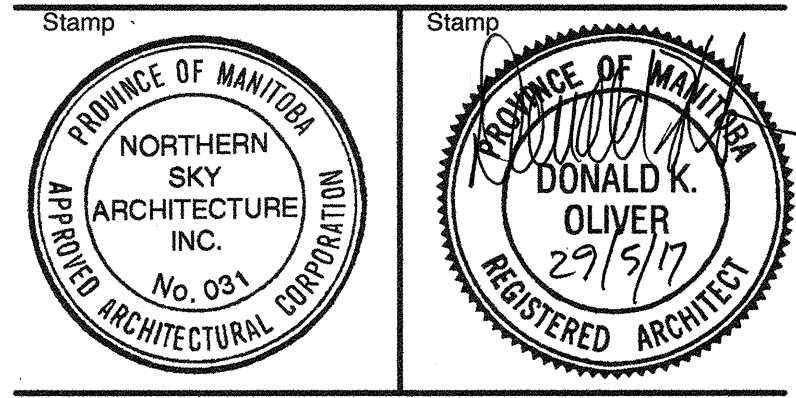
11 CORNER DETAIL
A2.1 A4.3 1/4



12 TRIM PROFILE
A2.1 A4.3 1/4



Revisions
 May 30, 2017 Issued for Construction
 Northern Sky Architecture Inc.
 100-128 James Avenue
 Winnipeg, Manitoba, Canada
 R2S 0R1
 contact@nsa.ca
 Fax: 204.943.7976
 204.943.6767



Project
La Barriere Park Washroom Replacement
 LaBarriere Park, Manitoba

drawing title			
WALL SECTIONS			
scale	as noted	designed by	kbb
date	May, 2017	drawn by	kdw
project no.	337-2017	reviewed by	dko
reference no.	16.235	sheet	A4.3 REV.