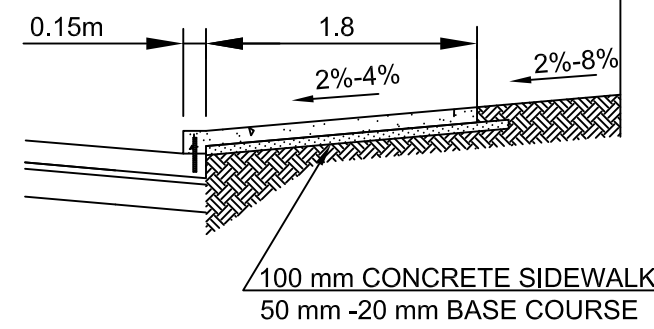
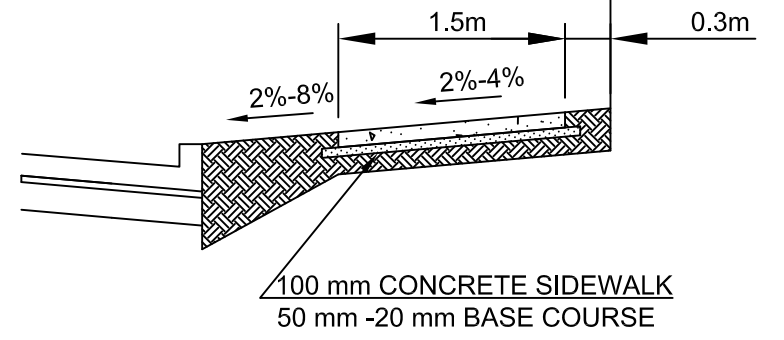


PRELIMINARY

NOT TO BE USED FOR
CONSTRUCTION



TYPICAL CROSS SECTION A-A
N.T.S



TYPICAL CROSS SECTION B-B
N.T.S

WEATHERSTONE PLACE (N.LEG)

FROM WEATHERSTONE PL TO LAKEWOOD BLVD
NEW SIDEWALK AND ASSOCIATED WORKS

THE CITY OF WINNIPEG
PUBLIC WORKS DEPARTMENT
ENGINEERING DIVISION
TECHNOLOGY SERVICES BRANCH
106 - 1155 PACIFIC AVE

DATE: JAN 30, 2017	DRAWING # SE-17-04
DRAWN BY: A.T.	SHEET 2 OF 2
SCALE: 1:500	4