

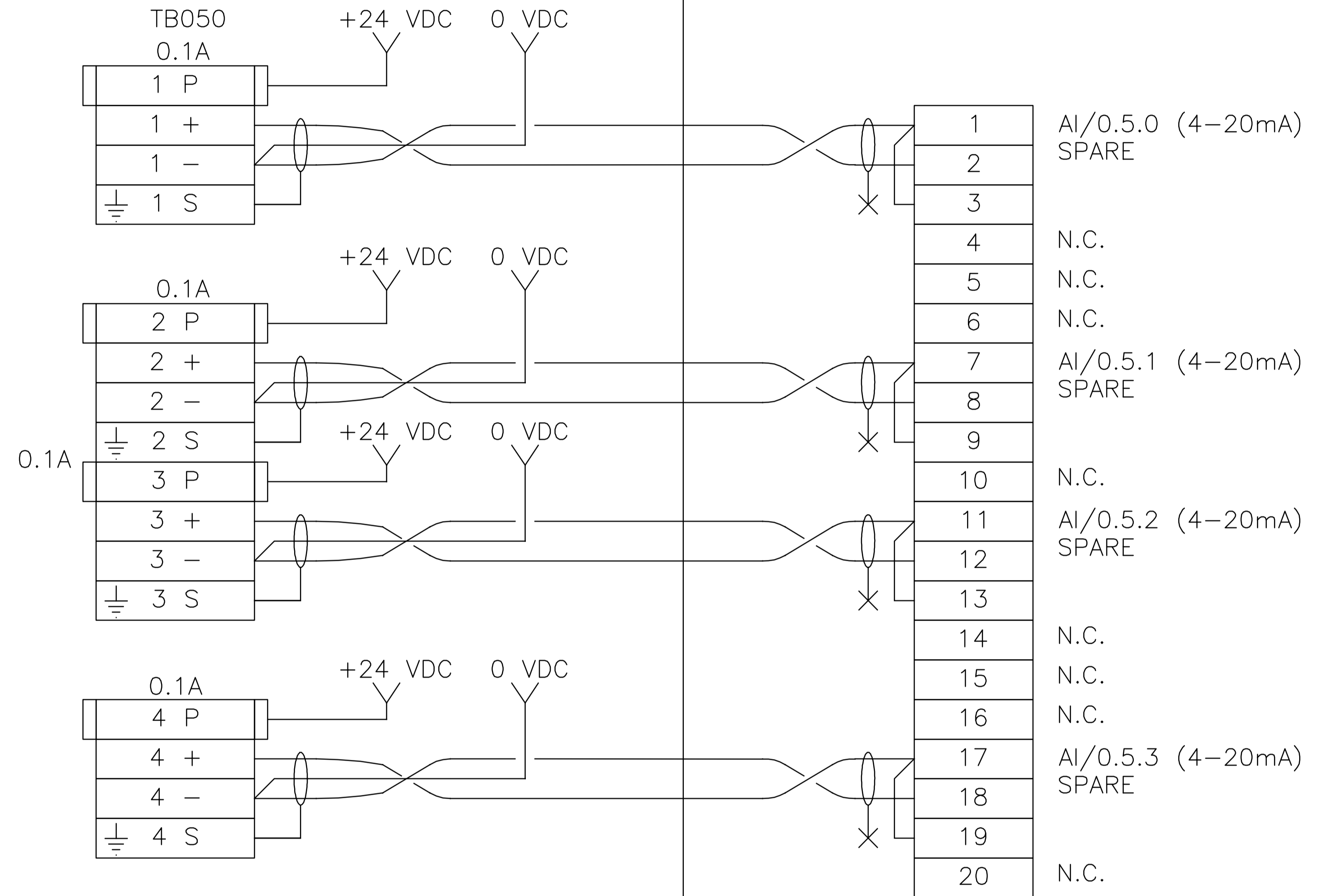
FIELD

CONTROL PANEL CP-M801

FIELD TERMINALS

PLC SECTION

BMX AMI 0410
RACK 0, SLOT 5



B.M. ELEV.		DESIGNED BY BLM			ENGINEER'S SEAL		NORTH END SEWAGE TREATMENT PLANT NEWPCC MAIN BUILDING - HVAC REPLACEMENT CONTROL PANEL CP-M801 RACK 0, SLOT 5, WIRING DIAGRAM	CITY DRAWING NUMBER 1-0101M-A0047-001	
		DRAWN BY MS						SHEET 17 OF 21	
		CHECKED BY -							
		APPROVED BY -							
		HDR. SCALE		RELEASED FOR CONSTRUCTION					
		VERTICAL		DATE		CONSULTANT PROJECT NO. 163526			
0 Issued for Tender		17/04/13	BLM					IL-06	
NO. REVISIONS		DATE	BY	DATE					