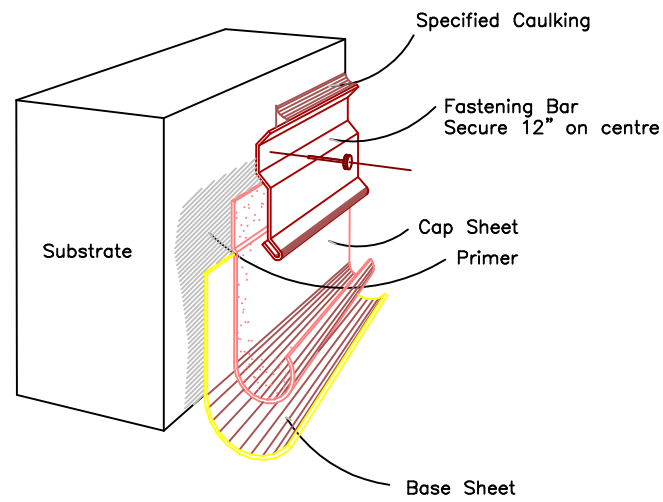
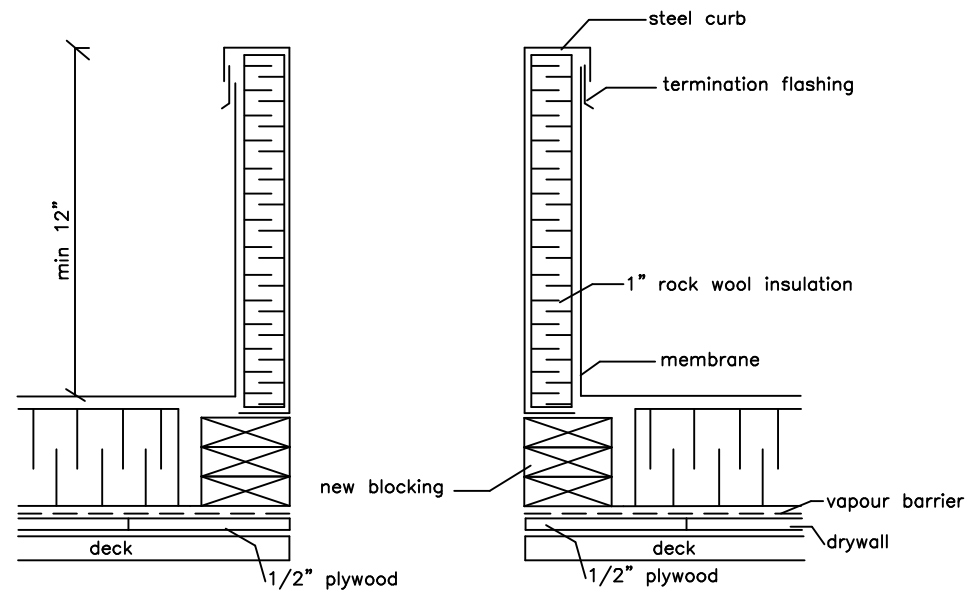


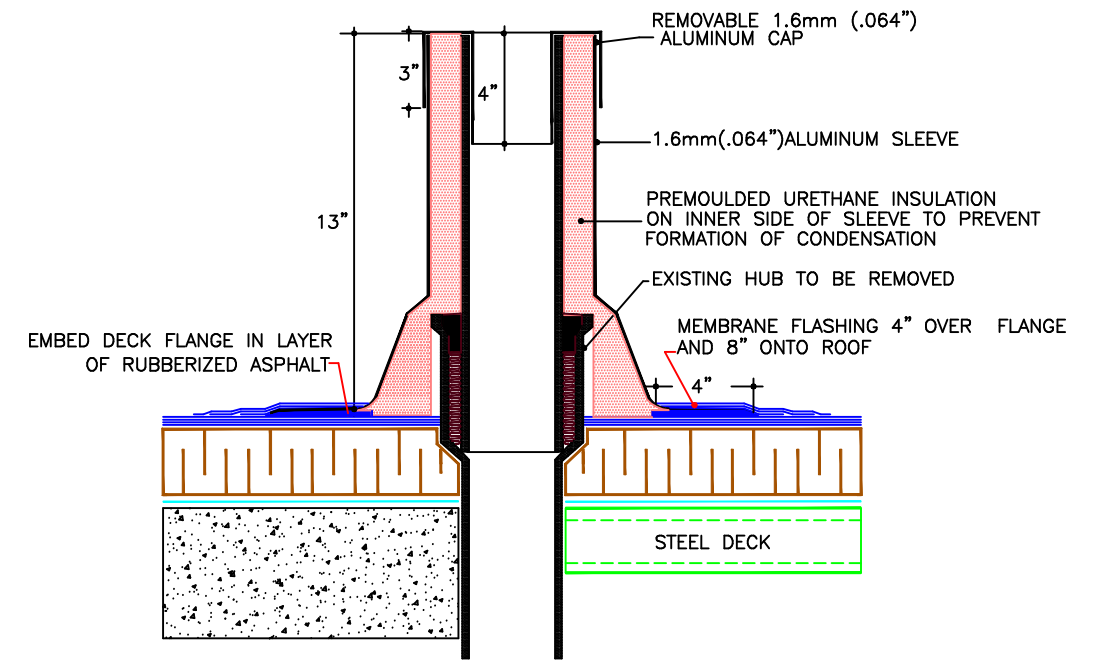
# Typical Fastening Bar



# Steel Curb Construction

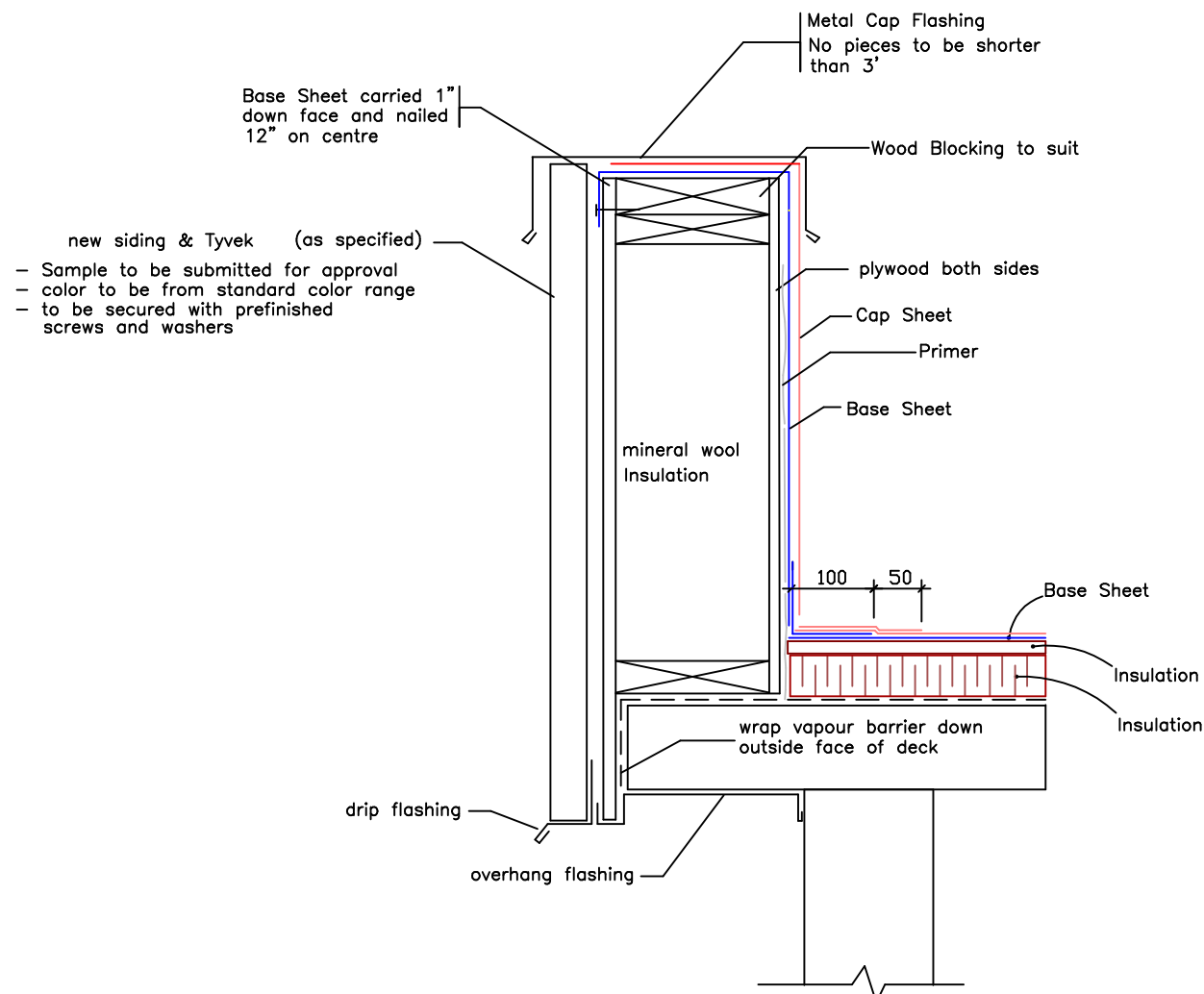


# Plumbing Vent Flashing

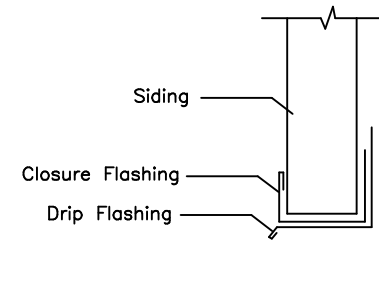



**SJ-20 ALUMINUM STACK JACK (13") HIGH**

# Typical Parapet Construction



# Siding Bottom Flashing





**Agassiz Consulting Group Ltd.**  
 Box 41, Warren, Manitoba R0C 3E0  
 Office Phone: (204) 383-5538

|  |                     |
|--|---------------------|
| Project: <b>Forum Art Gallery</b><br>120 Eugenie<br>Winnipeg, MB |                     |
| Date: <b>February 22, 2017</b>                                   |                     |
| Drawing No.  | <b>D-1</b>          |
| File no: <b>4831-17</b>  | Scale: <b>1:100</b> |