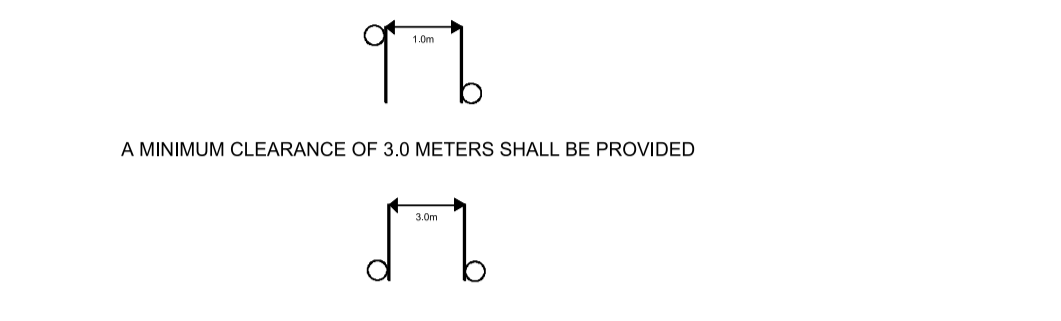


NOTES :
 CONSTRUCTION STANDARDS
 TO BE CONSTRUCTED IN ACCORDANCE WITH MANITOBA HYDRO DISTRIBUTION AND SUBTRANSMISSION STANDARDS. LATEST REVISION. NO MAJOR CHANGE SHALL BE MADE WITHOUT APPROVAL OF THE DESIGN ENGINEER OR DELEGATE.

CITY OF WINNIPEG REQUIREMENTS:
 WATER AND WASTE DEPARTMENT APPROVAL SUBJECT TO THE FOLLOWING NOTES:
 A MINIMUM CLEARANCE OF 1000 MILLIMETERS SHALL BE PROVIDED BETWEEN THE UNDERSIDE OF ANY EXISTING WATERMAIN OR SEWERMAIN PIPE AND THE TOP OF THE PROPOSED WORKS.
 OR
 A MINIMUM CLEARANCE OF 600 MILLIMETERS SHALL BE PROVIDED BETWEEN THE UNDERSIDE OF THE PROPOSED WORKS AND THE TOP OF ANY EXISTING WATERMAIN OR SEWERMAIN PIPE.
 A MINIMUM LATERAL CLEARANCE OF 1.0 METER SHALL BE PROVIDED BETWEEN THE NEAREST EDGE OF THE PROPOSED WORKS AND THE NEAREST EDGE OF ANY EXISTING WATERMAIN, WATERMAIN VALVE, HYDRANT, SEWERMAIN OR SEWER MANHOLE.



CONTACT "CLICK BEFORE YOU DIG MANITOBA" AT
ClickBeforeYouDigMB.com
THREE FULL WORKING DAYS
 PRIOR TO CONSTRUCTION FOR LOCATION OF EXISTING WATER, WASTEWATER, LAND DRAINAGE UTILITIES AND MANITOBA HYDRO UTILITIES

PROPOSED SEQUENCE OF CONSTRUCTION:
 -M1 STAFF SHALL DISCONNECT AND ISOLATE THE EXISTING STREET LIGHT POLE OR POLES TO BE REPLACED.
 -CONTRACTOR TO INSTALL TEMPORARY OH FEEDS BETWEEN EXISTING POLES.
 -M1 STAFF TO INSTALL FINAL DROP FROM EXISTING POLE TO SOURCE AND ENERGIZE.
 -CONTRACTOR TO INSTALL NEW POLES, UNDERGROUND STREET LIGHT CABLE BETWEEN POLES, GROUND RODS, RELAYS, AND BOTTOM SECTION OF CABLE GUARD AT TOP IF APPLICABLE AND TERMINATE IN HAND HOLE.
 -M1 STAFF TO DISCONNECT AND ISOLATE TEMPORARY OH FEED TO EXISTING POLES, AS WELL AS COMMISSION AND ENERGIZE NEW POLES FROM NEW UNDERGROUND SOURCE.
 -CONTRACTOR TO REMOVE OH FEEDS AND REMOVE EXISTING POLES.

CONTACT	NAME	PHONE
DESIGN	SLAVA REVZIN	284-8100 ext. 1239
DISTRICT ENG TECH	MARK SCHRAM	360-7495
ENERGY SERVICES ADVISOR	TERRY MCCARTHY	360-4127
LIG CONSTRUCTION	BILL AMMETER	360-7019
OH CONSTRUCTION	WAYNE IRELAND	360-5786
CUSTOMER CONTRACT	RICK PHILLIPS	360-7018
CONNECTIONS	ALVARO SILVA	360-6214
TEMP. STRINGING	TERRY TABAK	360-7521

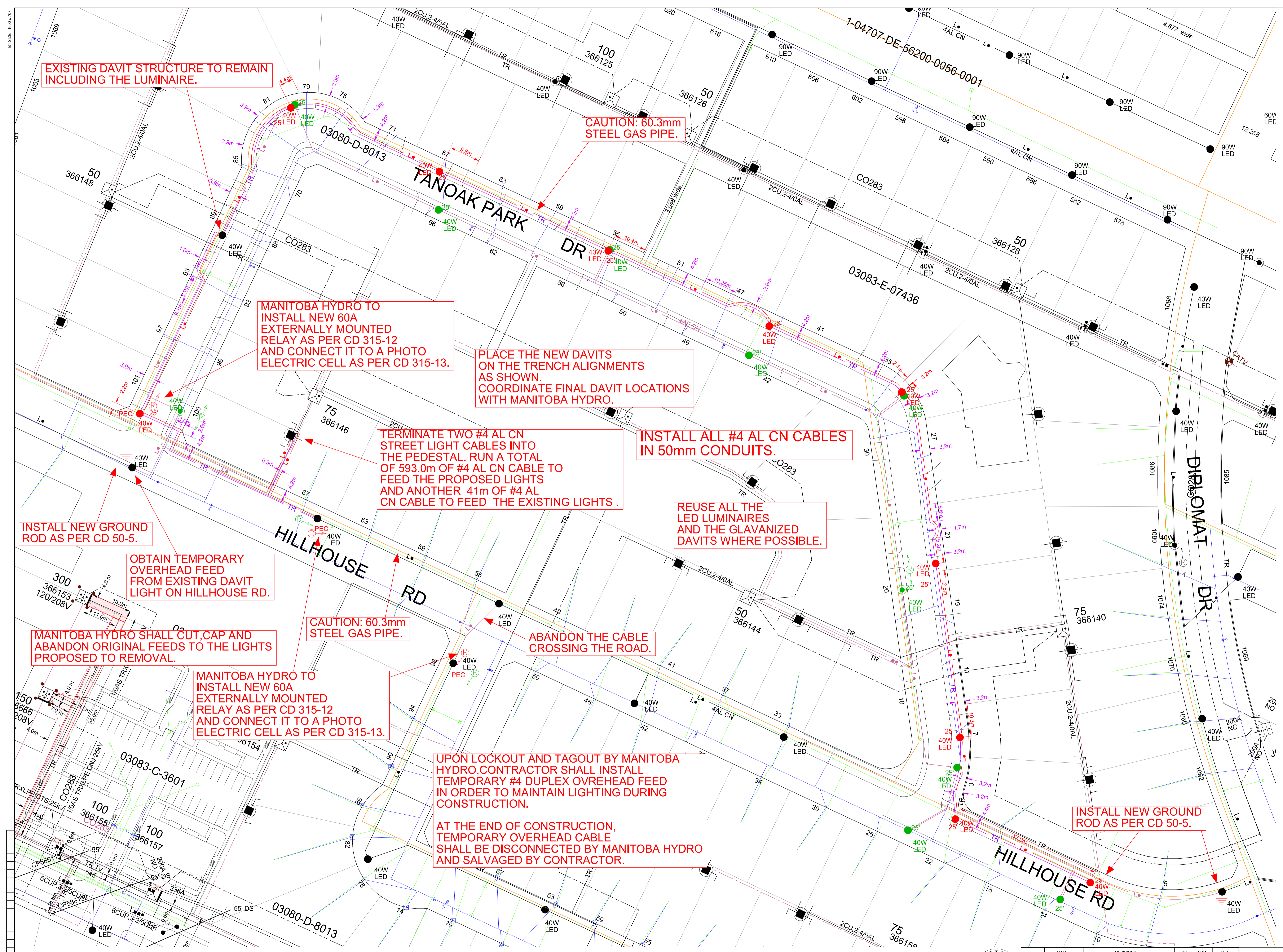
MAGENTA	PROPOSED TRENCH
RED	PROPOSED OBJECT
PINK	OBJECT TO BE ABANDONED
GREEN	OBJECT TO BE SALVAGED
BLACK	EXISTING OBJECT
L* ANNOTATION <th>3 - #4 AL CN STREET LIGHTING CABLE</th>	3 - #4 AL CN STREET LIGHTING CABLE
L* ANNOTATION <th>1 - 1/2 TRIPLEX STREET LIGHTING CABLE</th>	1 - 1/2 TRIPLEX STREET LIGHTING CABLE

INSTALLED				
Quantity	Fixture Type	Wattage	Pole Type	
0	LED	40	EXCLUSIVE	

REMOVED				
Quantity	Fixture Type	Wattage	Pole Type	
0	HPS	70	EXCLUSIVE	

- BEFORE EXCAVATION FOR INSTALLATION OF HYDRO UNDERGROUND PLANT, DEPTH AND LOCATION OF OBSTRUCTIONS MUST BE DETERMINED.
- BEFORE COMMENCING WORK, ALL UTILITIES ARE TO BE CONTACTED FOR CLEARANCES.
- CONCRETE SAW TO BE USED TO CUT PAVEMENT (FULL DEPTH)
- THE CONTRACTOR SHALL BE RESPONSIBLE FOR ALL REPAIRS TO STREETS, CURBS, BOULEVARDS, SIDEWALKS, FENCES, AND ANY OTHER PROPERTY DAMAGE DURING THE COURSE OF CONSTRUCTION.
- ALL EXISTING STREET EXCAVATIONS TO BE BACKFILLED WITH STABILIZED SOIL OR EQUIVALENT AND BENCH MARKED WITH STABLED FILL. ALL OTHER EXCAVATIONS SHALL BE BACKFILLED WITH EARTH FILL.
- ALL WORK SHALL CONFORM TO MANITOBA HYDRO SPECIFICATIONS.
- MINIMUM 1.2 METERS COVERING CABLES AT DITCH BOTTOM. RESTORE AND REGRADE DITCH.

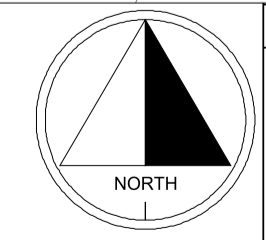
COW TENDER 2017-R-06



NOTE: INDICATION OF ALL UNDERGROUND UTILITIES IS FOR ILLUSTRATIVE PURPOSES ONLY. CONTACT THE APPLICABLE UTILITIES FOR SPECIFIC PLANT LOCATIONS AND CLEARANCES.

PRELIMINARY NOT TO BE USED FOR CONSTRUCTION

INFORMATION PERTAINING TO THE SIZE AND LOCATION OF MANITOBA HYDRO FACILITIES AND INSTALLATIONS IS ILLUSTRATIVE AND SHOULD NOT BE RELIED ON FOR THE PURPOSES OF ANY ACTIVITY BEING CONDUCTED AT OR NEAR THE IDENTIFIED HYDRO INSTALLATIONS. ALL LOCATIONS AND EQUIPMENT MUST BE VERIFIED BY APPROPRIATE HYDRO DISTRICT OFFICES PRIOR TO ANY PHYSICAL ACTIVITY UNDERTAKEN AT OR NEAR HYDRO INSTALLATIONS. A CURRENT WORK CLEARANCE REQUEST FORM CAN BE OBTAINED FROM THE DISTRICT OFFICE AND MUST BE ON SITE PRIOR TO THE COMMENCEMENT OF ANY EXCAVATIONS.



DATE	REVISIONS	BY	CHKD.	APP.
XXXX				

DRAWING NUMBER	REFERENCE DRAWINGS	DRAWN	SR
XXXX	CITY OF WINNIPEG APPROVED PLAN		

CHECK	SCALE	DATE
	1:500	2017/05/12

AREA NUMBER	MANITOBA HYDRO DISTRIBUTION PLANNING & DESIGN
5101	WBS # P-27868 NETWORK # 4304358
STATION NUMBER	
1086	DISTRICT: KEEWATIN
FEEDER NUMBER	STREET LIGHTING PROJECT - TANOAK PARK DR
CO283	CONTRACTOR TO REPLACE EXISTING UNDERGROUND STREET LIGHTING PLANT.
SYSTEM VOLTAGE	
7.2/12.47kV	
DATE	1-04707-DE-50000-0354
2017/05/12	SHT. 0003 REV. 00