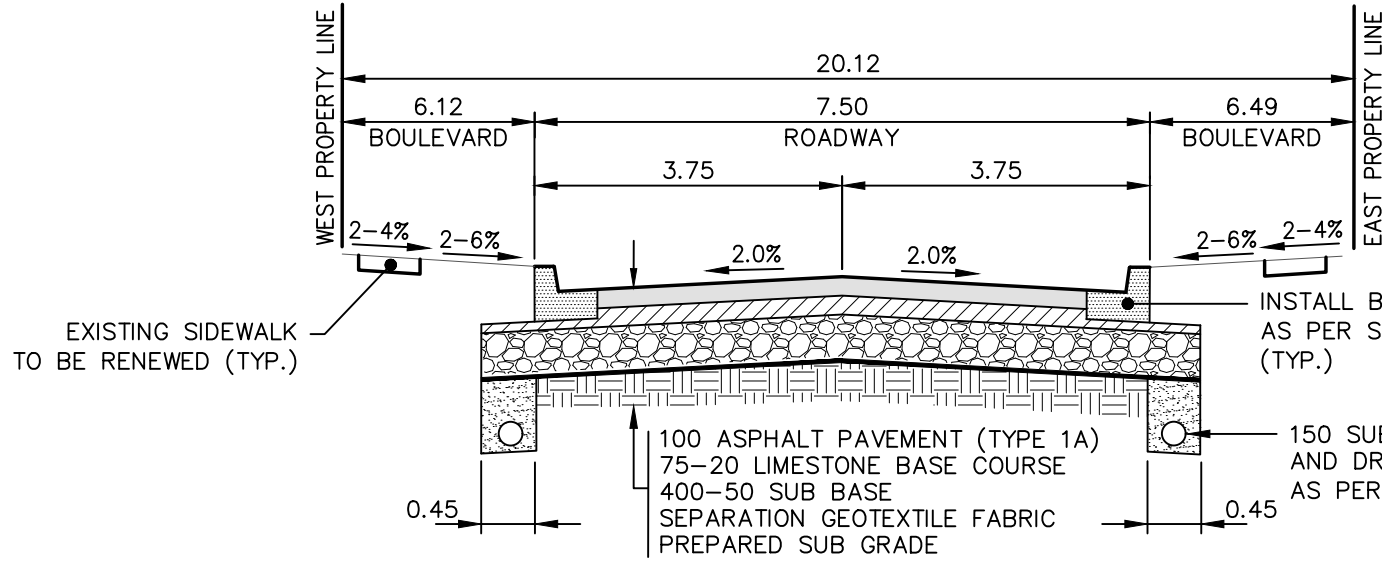


NOTE: These design documents are prepared solely for the use by the party with whom the design professional has entered into a contract and there are no representations of any kind made by the design professional to any party with whom the design professional has not entered into a contract.

EXISTING	LEGEND-PLAN	PROPOSED	EXISTING	LEGEND-PLAN	PROPOSED	EXISTING	LEGEND-PROFILE	PROPOSED
---	WATER MAIN	---	---	HYDRO POLE & LIGHT STANDARD	---	---	NORTH OR WEST SIDEWALK	---
---	LAND DRAINAGE SEWER	---	---	LIGHT STANDARD OR TRAFFIC SIGNAL	---	---	SOUTH OR EAST SIDEWALK	---
---	WASTE WATER SEWER	---	---	HYDRO POLE	---	---	ROADWAY CENTRELINE	---
---	HYDRO	---	---	CURB RAMP	---	---	NORTH OR WEST GUTTER	---
---	M.T.S.	---	---	DETECTABLE WARNING SURFACE TILE	---	---	SOUTH OR EAST GUTTER	---
---	GAS	---	---	EDGE OF SIDEWALK	---	---		
---	SIGNALS	---	---	FENCE	---	---		
---	MANHOLE	---	---	PROPERTY LINE	---	---		
---	CATCH BASIN	---	---	EDGE OF ASPHALT	---	---		
---	CURB INLET	---	---	EDGE OF CONCRETE	---	---		
---	UTILITIES ADJUSTED	---	---	MODIFIED BARRIER CURB	---	---		
---	PLUG	---	---	BARRIER CURB	---	---		
---	HYDRANT	---	---	BARRIER CURB AND GUTTER	---	---		
---	VALVE	---	---	MODIFIED BARRIER CURB AND GUTTER	---	---		
---	CURB STOP	---	---	CONCRETE SIDEWALK	---	---		
---	GROUND GRADE	---	---	CONCRETE REPAIR	---	---		
---	PAVEMENT GRADE	---	---	ASPHALT OVERLAY	---	---		
---	ANCHOR	---	---	ASPHALT PARTIAL DEPTH REPAIR	---	---		
---	CIVIC ADDRESS	---	---	GLASS GRID	---	---		
---	IRON BAR	---	---	ASPHALT MILLING	---	---		



TYPICAL CROSS-SECTION
NTS

- NOTES:
- ALL WORK AND MATERIALS TO BE IN ACCORDANCE WITH THE LATEST REVISION OF THE CITY OF WINNIPEG STANDARD CONSTRUCTION SPECIFICATIONS.
 - CONTRACTOR TO CONFIRM THE LOCATION OF ALL UTILITIES/SERVICES IN THE FIELD PRIOR TO CONSTRUCTION.
 - ALL ROADWAY DIMENSIONS SHOWN ARE TO BACK OF CURB.
 - ADD 200.00 TO ABBREVIATED ELEVATIONS TO OBTAIN GEODETIC ELEVATION.
 - RENEW CURB AND SIDEWALK AS IDENTIFIED BY CONTRACT ADMINISTRATOR.
 - ALL PRIVATE WALKWAYS TO BE ADJUSTED TO NEW SIDEWALK OR TOP OF CURB ELEVATION, AS REQUIRED.
 - ADJUST MH FRAMES, GB RIMS, AND VALVES TO NEW GRADES, AS REQUIRED.
 - MODIFIED BARRIER CURBS TO BE CONSTRUCTED AT ALL INTERSECTION RADII AND BACK LANE RADII.
 - INSTALL 40mm LIP CURB THROUGH ALL RESIDENTIAL APPROACHES.
 - LAMP STANDARDS, HYDRO POLES, AND ANCHORS THAT REQUIRE TEMPORARY SUPPORT, REMOVAL OR REPLACEMENT, TO BE DONE SO AT THE EXPENSE OF THE CONTRACTOR AS NECESSARY.
 - CONTRACTORS TO TAKE PRECAUTIONARY STEPS TO PROTECT EXISTING TREES WITHIN THE LIMITS OF CONSTRUCTION FROM DAMAGE FROM CONSTRUCTION ACTIVITIES AS OUTLINED IN THE SPECIFICATIONS.
 - ALL BOULEVARDS TO BE SODDED UNLESS OTHERWISE NOTED.
 - CURB 180mm REVEAL, UNLESS OTHERWISE NOTED.
 - SIDEWALKS TO BE RENEWED WITH CONCRETE AS NOTED BY CONTRACT ADMINISTRATOR.

LOCATIONS APPROVED UNDERGROUND STRUCTURES

SIGNED BY: _____ DATE: _____

SYUP UIC STRUCTURES

LOCATION OF UNDERGROUND STRUCTURES AS SHOWN ARE BASED ON THE BEST INFORMATION AVAILABLE BUT NO GUARANTEE IS GIVEN THAT ALL EXISTING UTILITIES ARE SHOWN OR THAT THE GIVEN LOCATIONS ARE EXACT CONFIRMATION OF EXISTENCE AND EXACT LOCATION OF ALL SERVICES MUST BE OBTAINED FROM THE INDIVIDUAL UTILITIES BEFORE PROCEEDING

WSP

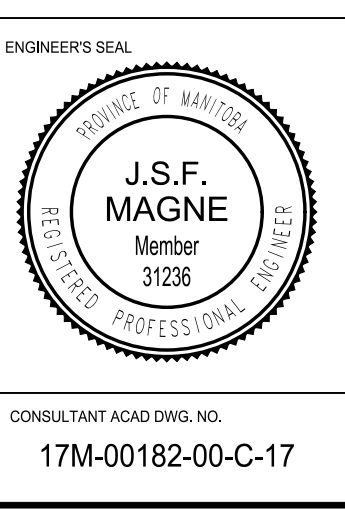
WSP Canada Group Limited
Suite 111 - 93 Lombard Ave
Winnipeg, MB R3B 3B1
T. 204.943.3178
F. 204.943.4948
www.wsp.com

DESIGNED BY: JM
CHECKED BY: JP/TR
DRAWN BY: VA/SB
APPROVED BY: VM

ISSUED FOR TENDER: 24-MAY-17 JP
ISSUED FOR UNDERGROUND STRUCTURES REVIEW: 04-MAY-17 JP
ISSUED FOR CLIENT REVIEW: 21-APR-17 JP

NO. REVISIONS DATE BY

DATE: 22-Feb-17



THE CITY OF WINNIPEG
PUBLIC WORKS DEPARTMENT
ENGINEERING DIVISION

2017 LOCAL STREET RENEWAL PROGRAM

KERNAGHAN AVENUE
ROBSON STREET TO PLESSIS ROAD
PAVEMENT RECONSTRUCTION
STA. 1+00 TO STA. 2+40

CITY DRAWING NUMBER: 17 OF 21
SHEET 17 OF 21
BID NO. 366-2017

PRELIMINARY

METRIC

WHOLE NUMBERS INDICATE MILLIMETRES
DECIMALIZED NUMBERS INDICATE METRES

APEGM
Certificate of Authorization
MMM Group Limited
No. 4531

May 15, 2017 - 12:32pm
 P:\2017\17M-00182-00-C-17_C-18_Kernaghan Avenue Plan and Profile 2017.05.15.dwg - tab-C-17