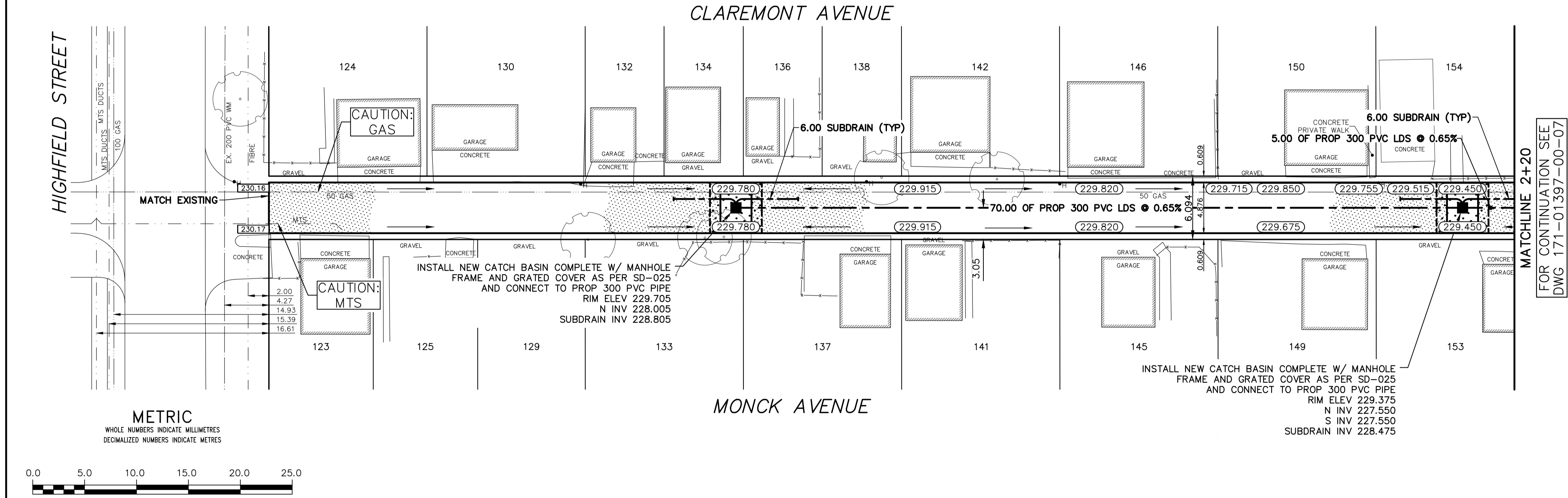
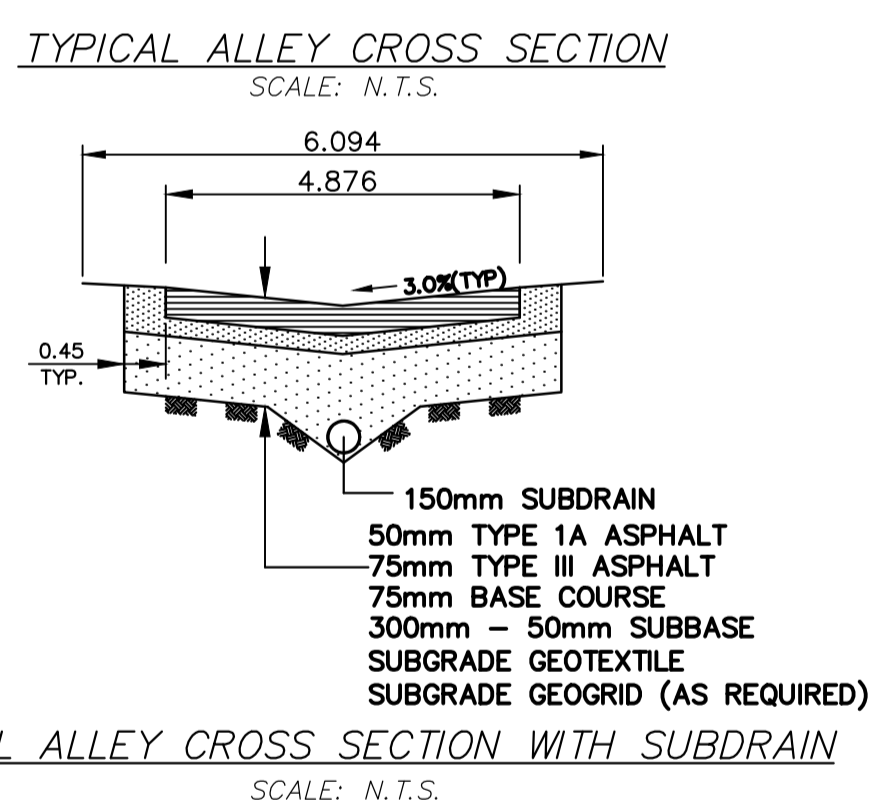
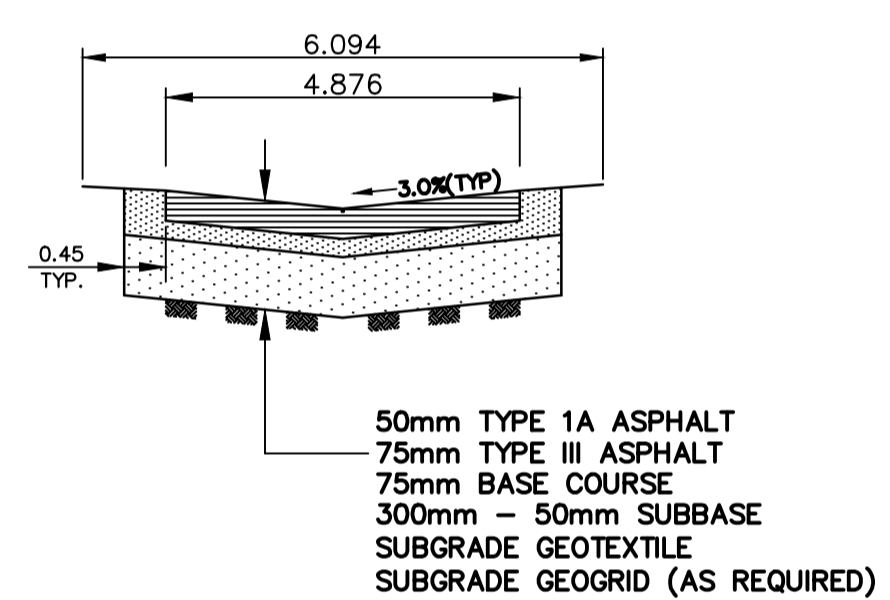
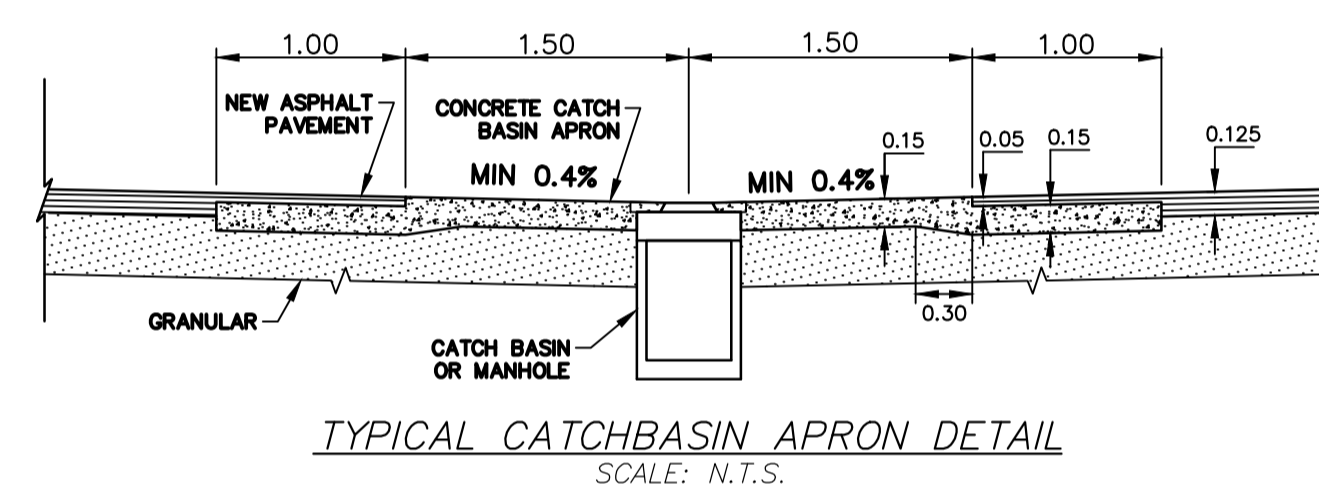


- NOTES:**
- ISOLATE EXISTING HYDRO POLES AS DIRECTED BY CONTRACT ADMINISTRATOR
 - RENEW EXISTING APPROACHES AND SIDEWALK AS DIRECTED BY CONTRACT ADMINISTRATOR
 - ADDITIONAL EXCAVATION AND INSTALLATION OF SUBGRADE GEOGRID TO BE DETERMINED BY CONTRACT ADMINISTRATOR
 - ADJUSTMENTS TO PROPOSED CROSSFALL, WHERE REQUIRED, ARE TO BE DETERMINED BY CONTRACT ADMINISTRATOR TO SUIT EXISTING DRIVEWAYS, APPROACHES, ETC.
 - ALL LAND DRAINAGE SEWER EXCAVATIONS TO BE JETTED, FLOODED AND TAMPED AS PER CW2030-R7
 - LIGHT STANDARDS, HYDROPOLES, AND ANCHORS MAY REQUIRE SUPPORT AND/OR REMOVAL AND REPLACEMENT AT CONTRACTORS EXPENSE

NOTE: CHAINAGES SHOWN ARE ALONG \mathcal{C} OF PUBLIC RIGHT-OF-WAY



FOR CONTINUATION SEE DWG 171-01397-00-07

METRIC
WHOLE NUMBERS INDICATE MILLIMETRES
DECIMALIZED NUMBERS INDICATE METRES

WATERMAIN	HYDRANT	VALVE	CURB STOP	LAND DRAINAGE SEWER	WASTE WATER SEWER	CB LEAD	MANHOLE	CATCH BASIN	CURB INLET	HYDRO
EXISTING	LEGEND - PLAN	PROPOSED	EXISTING	LEGEND - PLAN	PROPOSED	EXISTING	LEGEND - PROFILE	PROPOSED	EXISTING	LEGEND - PROFILE

GAS	M.T.S.	TRAFFIC SIGNALS	CONCRETE	ASPHALT	SIDEWALK	CURB RAMP	ELEVATIONS	PROPERTY LINE	SURVEY BAR
150 MM	300 LDS	250 WWS	ASPHALT	CONCRETE	ASPHALT	CONCRETE	(32.00)	(32.000)	

LOCATION APPROVED UNDERGROUND STRUCTURES

SUPV. U/G STRUCTURES DATE COMMITTEE

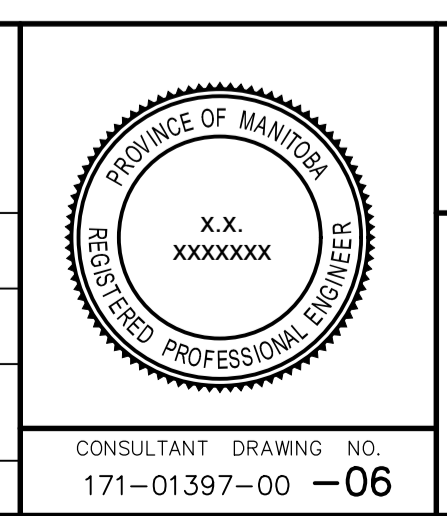
NOTE:
LOCATION OF UNDERGROUND STRUCTURES AS SHOWN ARE BASED ON THE BEST INFORMATION AVAILABLE BUT NO GUARANTEE IS GIVEN THAT ALL EXISTING UTILITIES ARE SHOWN OR THAT THE GIVEN LOCATIONS ARE EXACT. CONFIRMATION OF EXISTENCE AND EXACT LOCATION OF ALL SERVICES MUST BE OBTAINED FROM THE INDIVIDUAL UTILITIES BEFORE PROCEEDING WITH CONSTRUCTION.

B.M. ELEV.	NO.	REVISION	DATE	BY
	2	ISSUED FOR TENDER	7/05/16	K.G.
	1	DESIGN REVIEW	7/05/16	K.G.

wsp

111-93 Lombard Avenue
Winnipeg, Manitoba
R3B 3B1 Canada
Phone: 204-943-3178
Fax: 204-943-4948
wsp.com

DESIGNED BY: KG
CHECKED BY: RH/SM
DRAWN BY: KG
APPROVED BY: IMcK
HOR. SCALE: 1:250
VERT. SCALE: 1:25
RELEASED FOR CONSTRUCTION



THE CITY OF WINNIPEG
PUBLIC WORKS DEPARTMENT
FINANCE NO.

2017 LOCAL IMPROVEMENTS
CLAREMONT AVE/MONCK AVE ALLEY
FROM HIGHFIELD ST TO MATCHLINE AT 2+20
ASPHALT RECONSTRUCTION

CITY DRAWING NO. SHEET 1 OF 2
BID OPPORTUNITY 378-2017

