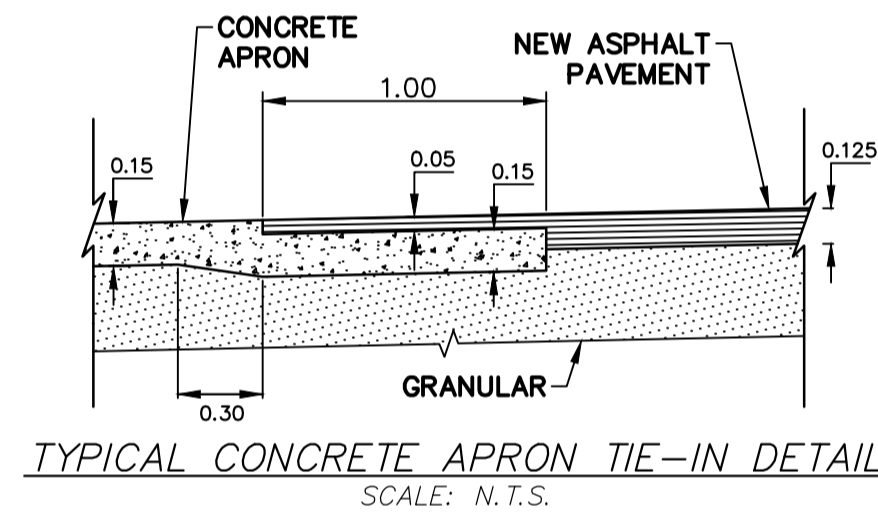
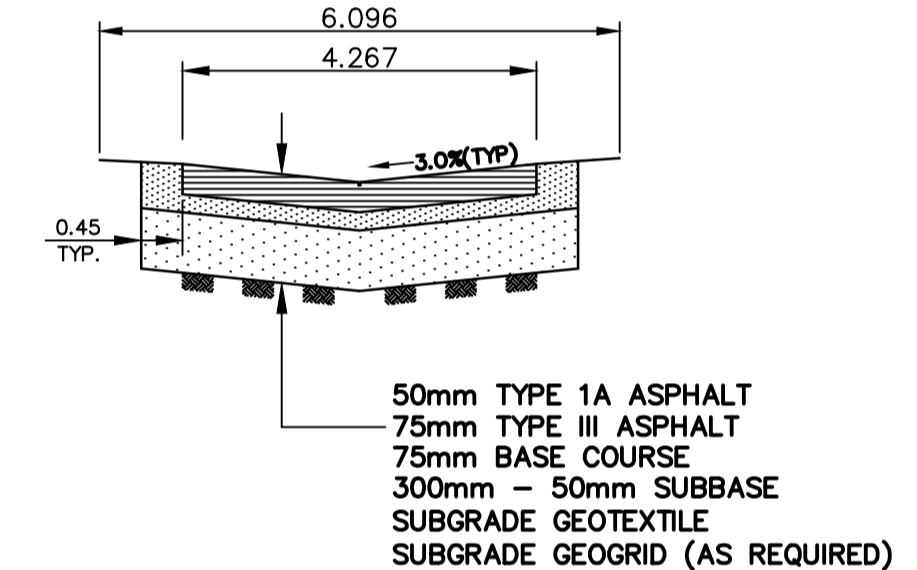
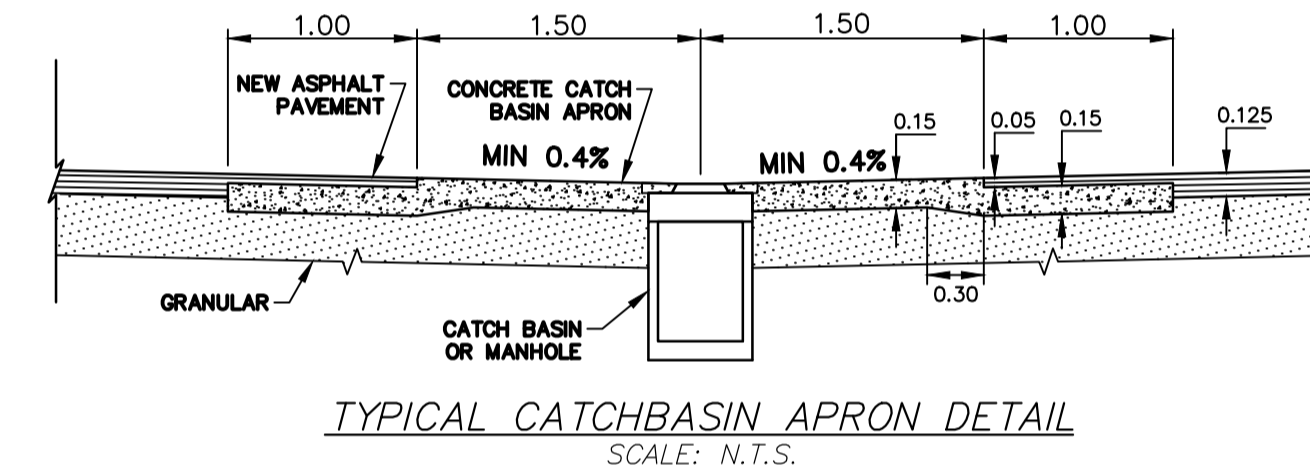


NOTES:

- ISOLATE EXISTING HYDRO POLES AS DIRECTED BY CONTRACT ADMINISTRATOR
- RENEW EXISTING APPROACHES AND SIDEWALK AS DIRECTED BY CONTRACT ADMINISTRATOR
- ADDITIONAL EXCAVATION AND INSTALLATION OF SUBGRADE GEOTRID TO BE DETERMINED BY CONTRACT ADMINISTRATOR
- ADJUSTMENTS TO PROPOSED CROSSFALL, WHERE REQUIRED, ARE TO BE DETERMINED BY CONTRACT ADMINISTRATOR TO SUIT EXISTING DRIVEWAYS, APPROACHES, ETC.
- ALL LAND DRAINAGE SEWER EXCAVATIONS TO BE JETTED, FLOODED AND TAMPED AS PER CW2030-R7
- LIGHT STANDARDS, HYDROPOLES, AND ANCHORS MAY REQUIRE SUPPORT AND/OR REMOVAL AND REPLACEMENT AT CONTRACTORS EXPENSE



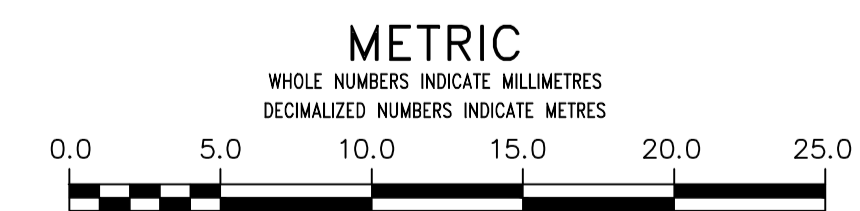
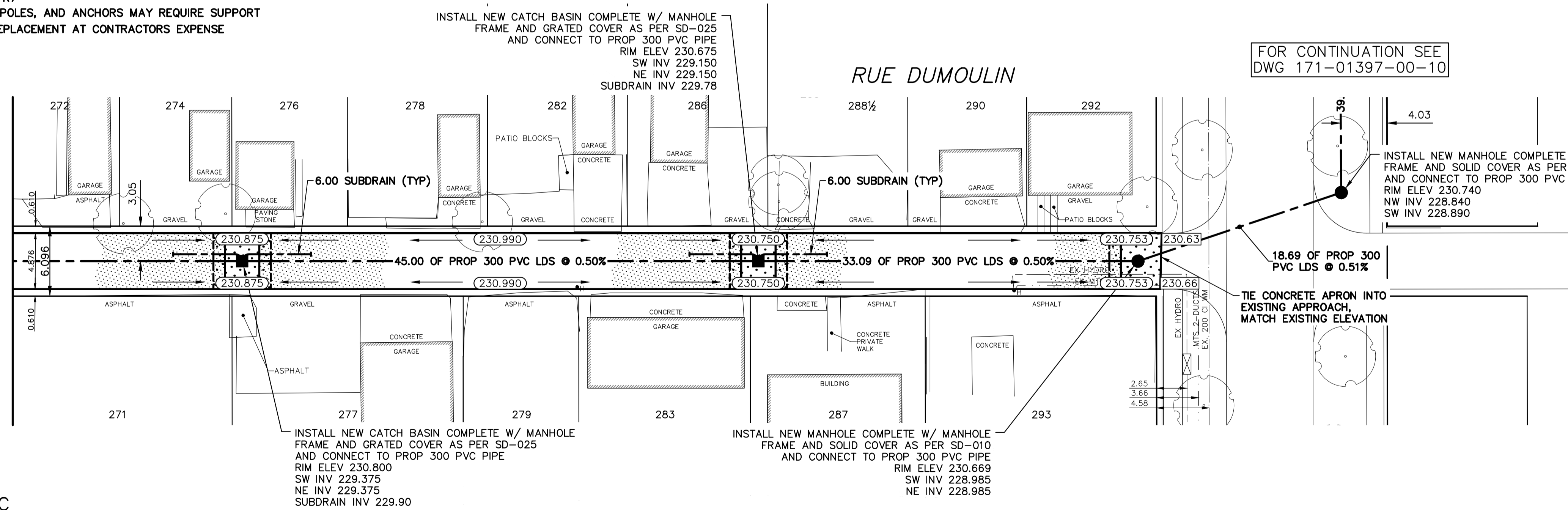
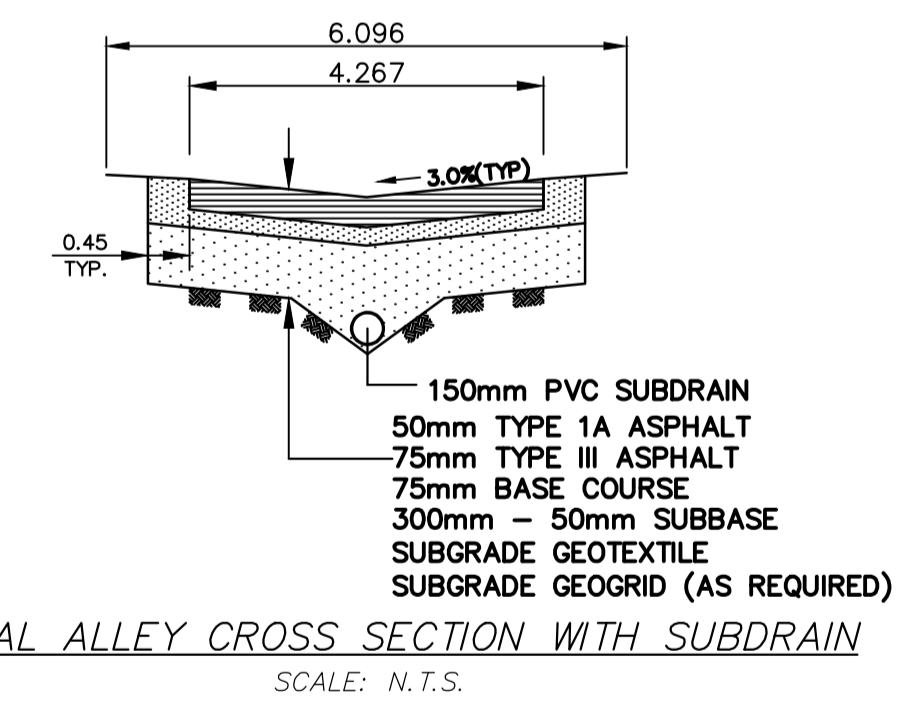
NOTE: CHAINAGES SHOWN ARE ALONG ϕ OF PUBLIC RIGHT-OF-WAY



FOR CONTINUATION SEE DWG 171-01397-00-10



TYPICAL ALLEY CROSS SECTION
SCALE: N.T.S.



EXISTING	LEGEND - PLAN	PROPOSED	EXISTING	LEGEND - PLAN	PROPOSED	EXISTING	LEGEND - PROFILE	PROPOSED
	WATERMAIN			GAS M.T.S.			150 MM VALVE	
	HYDRANT VALVE			TRAFFIC SIGNALS			300 LDS LAND DRAINAGE SEWER 250 WWS WASTE WATER SEWER	
	CURB STOP			CONCRETE SIDEWALK			CURB RAMP	
	LAND DRAINAGE SEWER			ELEVATIONS (32.00)			PROPERTY LINE SURVEY BAR	
	WASTE WATER SEWER			MANHOLE			CATCH BASIN CURB INLET	
	CB LEAD			MANHOLE			MANHOLE CATCH BASIN	
	HYDRO			CATCH BASIN			CATCH BASIN CURB INLET	

PROVENCHER BOULEVARD

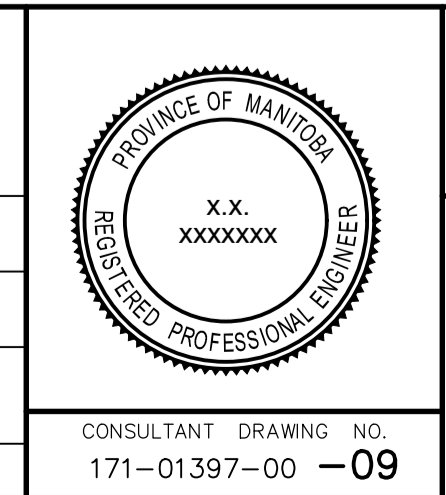
LOCATION APPROVED UNDERGROUND STRUCTURES

SUPV.	U/G	STRUCTURES	DATE

NOTE:
LOCATION OF UNDERGROUND STRUCTURES AS SHOWN ARE BASED ON THE BEST INFORMATION AVAILABLE BUT NO GUARANTEE IS GIVEN THAT ALL EXISTING UTILITIES ARE SHOWN OR THAT THE GIVEN LOCATIONS ARE EXACT. CONFIRMATION OF EXISTENCE AND EXACT LOCATION OF ALL SERVICES MUST BE OBTAINED FROM THE INDIVIDUAL UTILITIES BEFORE PROCEEDING WITH CONSTRUCTION.

B.M. ELEV.			

		111-83 Lombard Avenue Winnipeg, Manitoba R3B 3B1 Canada Phone: 204-943-3178 Fax: 204-943-4948 wsp.com	
DESIGNED BY	RH	CHECKED BY	RH/SM
DRAWN BY	RH	APPROVED BY	IMcK
HOR. SCALE:	1:250	RELEASED FOR CONSTRUCTION	
VERT. SCALE:	1:25		



THE CITY OF WINNIPEG
PUBLIC WORKS DEPARTMENT
FINANCE NO.

2017 LOCAL IMPROVEMENTS
RUE DUMOULIN/PROVENCHER BLVD ALLEY
FROM MATCHLINE AT 2+05 TO RUE ST JEAN BAPTIST
ASPHALT RECONSTRUCTION

CITY DRAWING NO.
SHEET 2 OF 3
BID OPPORTUNITY
378-2017

