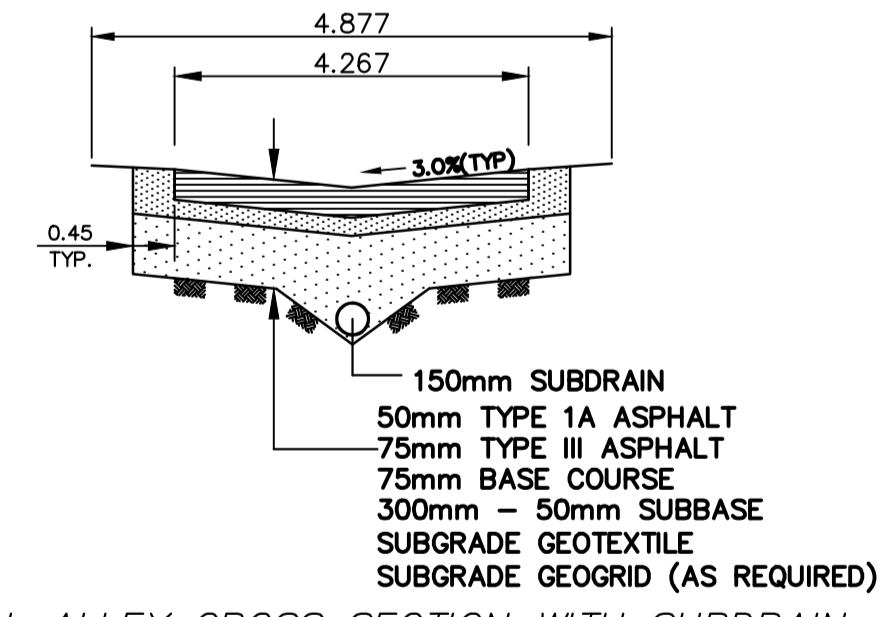
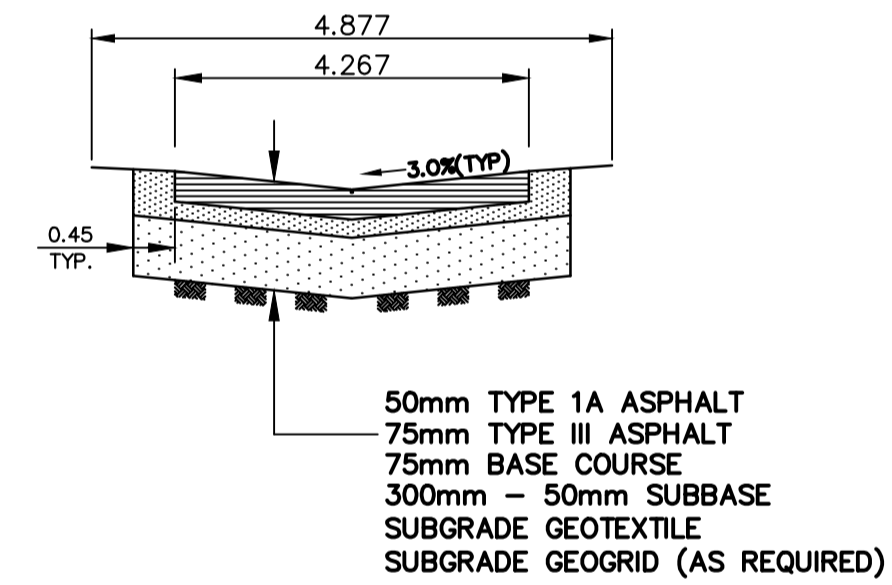
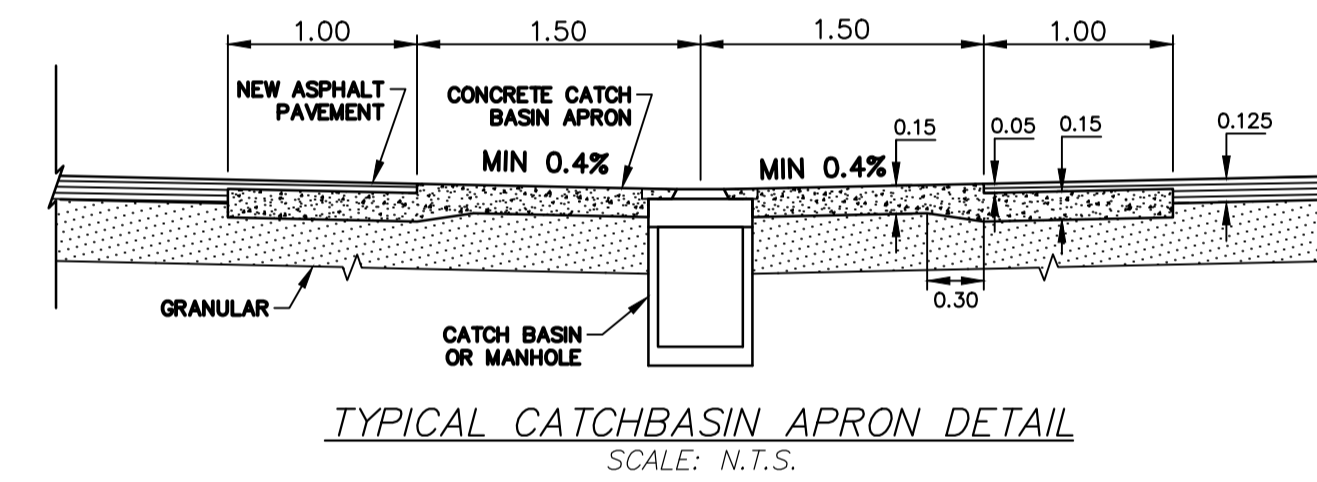


**NOTES:**

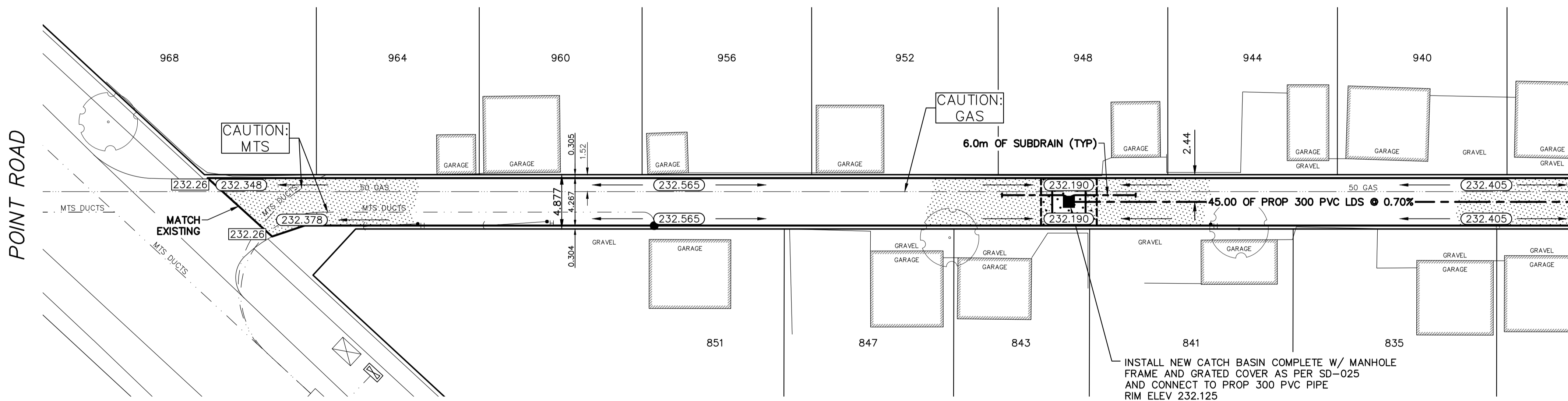
- ISOLATE EXISTING HYDRO POLES AS DIRECTED BY CONTRACT ADMINISTRATOR
- RENEW EXISTING APPROACHES AND SIDEWALK AS DIRECTED BY CONTRACT ADMINISTRATOR
- ADDITIONAL EXCAVATION AND INSTALLATION OF SUBGRADE GEOGRID TO BE DETERMINED BY CONTRACT ADMINISTRATOR
- ADJUSTMENTS TO PROPOSED CROSSFALL, WHERE REQUIRED, ARE TO BE DETERMINED BY CONTRACT ADMINISTRATOR TO SUIT EXISTING DRIVEWAYS, APPROACHES, ETC.
- ALL LAND DRAINAGE SEWER EXCAVATIONS TO BE JETTED, FLOODED AND TAMPED AS PER CW2030-R7
- LIGHT STANDARDS, HYDROPOLES, AND ANCHORS MAY REQUIRE SUPPORT AND/OR REMOVAL AND REPLACEMENT AT CONTRACTORS EXPENSE

NOTE: CHAINAGES SHOWN ARE ALONG CL OF PUBLIC RIGHT-OF-WAY

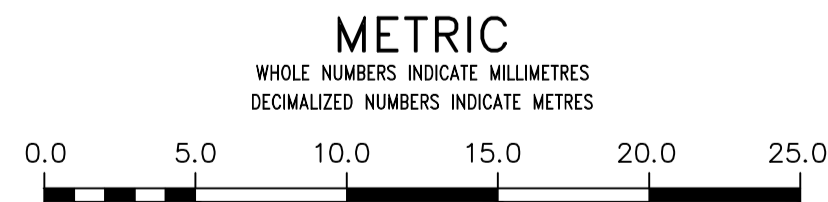


**SOMERVILLE AVENUE**

**SOMERSET AVENUE**



FOR CONTINUATION SEE DWG 171-01397-00-17



WATERMAIN	---	GAS	---	150 WM	---	WATERMAIN	---	150 WM	---
HYDRANT	◆	M.T.S.	---	M.T.S.	---	VALVE	---	VALVE	---
VALVE	⊙	TRAFFIC SIGNALS	---	300 LDS	---	LAND DRAINAGE SEWER	---	300 LDS	---
CURB STOP	●	CONCRETE	---	250 WWS	---	WASTE WATER SEWER	---	250 WWS	---
LAND DRAINAGE SEWER	---	ASPHALT	---	---	---	CENTERLINE	---	---	---
WASTE WATER SEWER	---	SIDEWALK	---	---	---	SOUTH & EAST GUTTER	---	---	---
CB LEAD	---	CURB RAMP	---	---	---	NORTH & WEST GUTTER	---	---	---
MANHOLE	○	ELEVATIONS	(32.00)	---	---	S/E PRIVATE PAVE.	---	---	---
CATCH BASIN	□	PROPERTY LINE	---	---	---	N/W PRIVATE PAVE.	---	---	---
CURB INLET	▽	SURVEY BAR	---	---	---	---	---	---	---
HYDRO	---	---	---	---	---	---	---	---	---
EXISTING	LEGEND - PLAN	PROPOSED	EXISTING	LEGEND - PLAN	PROPOSED	EXISTING	LEGEND - PROFILE	PROPOSED	EXISTING

LOCATION APPROVED UNDERGROUND STRUCTURES

SUPV.	U/G	STRUCTURES	DATE
---	---	---	---

NOTE:  
LOCATION OF UNDERGROUND STRUCTURES AS SHOWN ARE BASED ON THE BEST INFORMATION AVAILABLE BUT NO GUARANTEE IS GIVEN THAT ALL EXISTING UTILITIES ARE SHOWN OR THAT THE GIVEN LOCATIONS ARE EXACT. CONFIRMATION OF EXISTENCE AND EXACT LOCATION OF ALL SERVICES MUST BE OBTAINED FROM THE INDIVIDUAL UTILITIES BEFORE PROCEEDING WITH CONSTRUCTION.

B.M. ELEV.	---		
DESIGNED BY	DR		
CHECKED BY	RH/SM		
DRAWN BY	MS		
APPROVED BY	IMcK		
HOR. SCALE:	1:250		
VERT. SCALE:	1:25		
RELEASED FOR CONSTRUCTION	---		
NO.	REVISION	DATE	BY
2	ISSUED FOR TENDER	7/05/16	K.G.
1	DESIGN REVIEW	7/05/16	K.G.

111-83 Lombard Avenue  
Winnipeg, Manitoba  
R2B 3B1 Canada  
Phone: 204-943-3178  
Fax: 204-943-4948  
wsp.com

**THE CITY OF WINNIPEG**  
PUBLIC WORKS DEPARTMENT  
FINANCE NO. \_\_\_\_\_

2017 LOCAL IMPROVEMENTS  
SOMERVILLE AVE/SOMERSET AVE ALLEY  
FROM POINT RD TO MATCHLINE AT 2+20

ASPHALT RECONSTRUCTION

CITY DRAWING NO. \_\_\_\_\_  
SHEET 1 OF 2  
BID OPPORTUNITY  
378-2017

Certificate of Authorization  
WSP Canada Inc.  
No. 5750 Date: \_\_\_\_\_