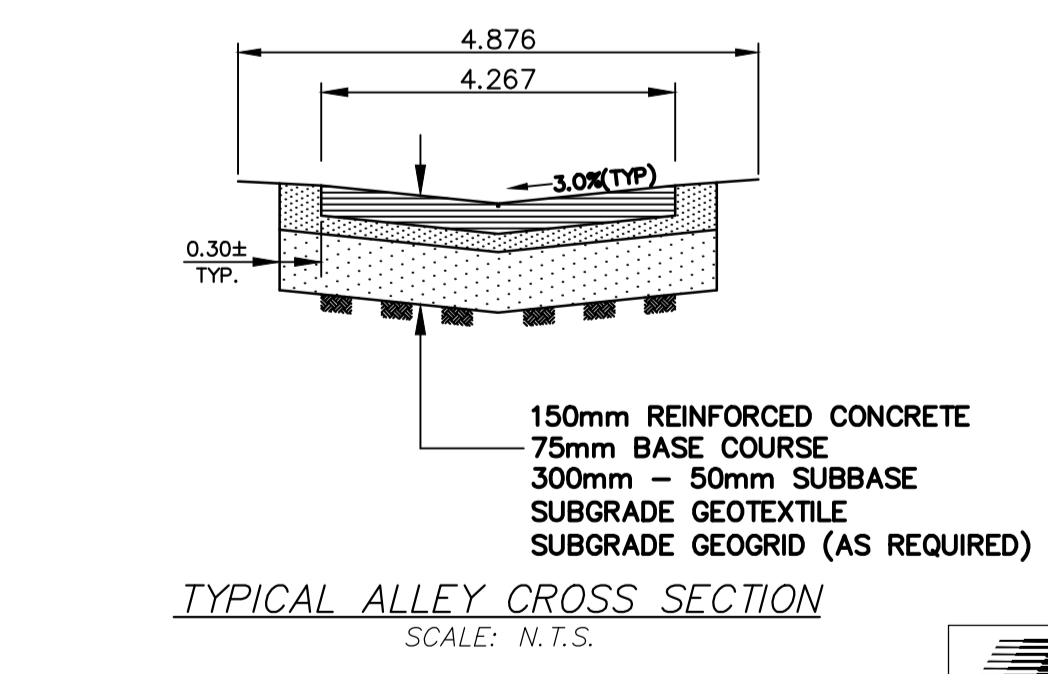
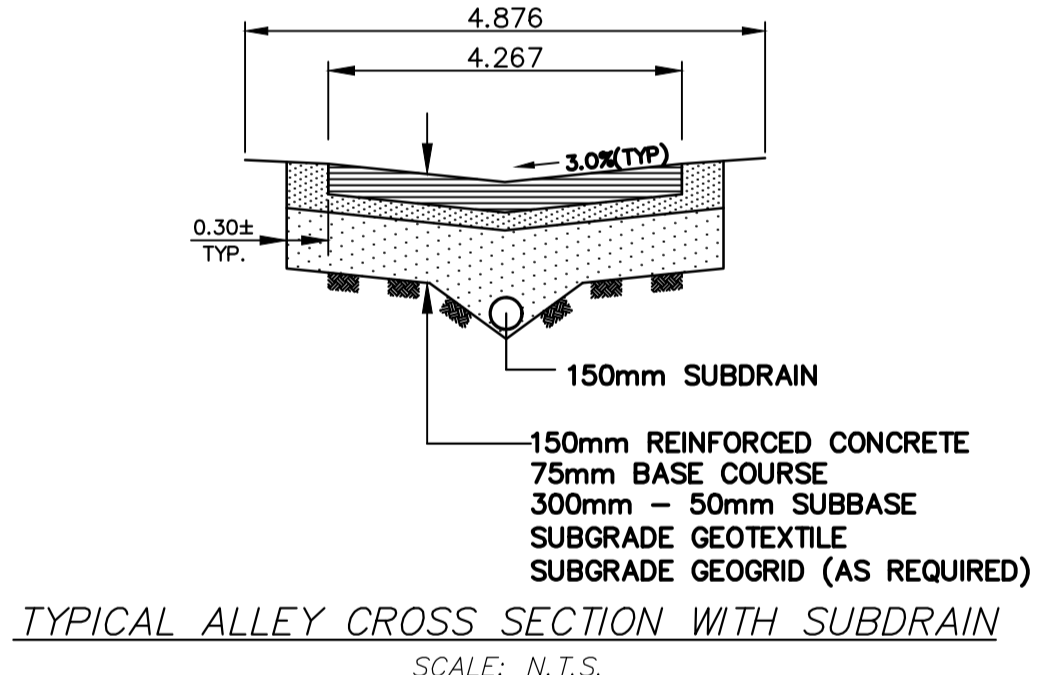
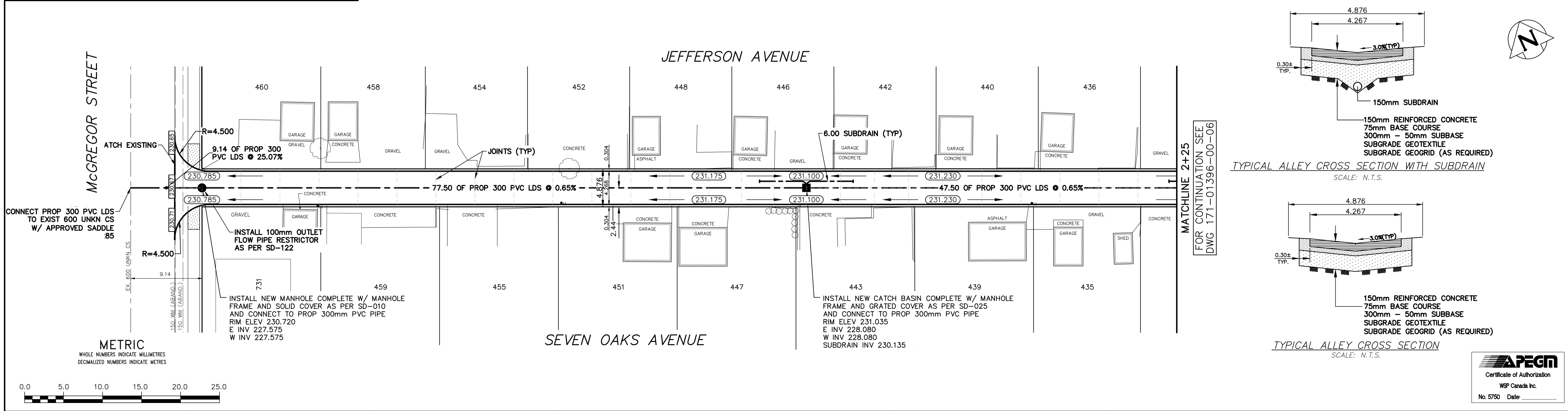


- NOTES:**
1. ISOLATE EXISTING HYDRO POLES AS DIRECTED BY CONTRACT ADMINISTRATOR
 2. RENEW EXISTING APPROACHES AND SIDEWALK AS DIRECTED BY CONTRACT ADMINISTRATOR
 3. ADDITIONAL EXCAVATION AND INSTALLATION OF SUBGRADE GEOGRID TO BE DETERMINED BY CONTRACT ADMINISTRATOR
 4. ADJUSTMENTS TO PROPOSED CROSSFALL, WHERE REQUIRED, ARE TO BE DETERMINED BY CONTRACT ADMINISTRATOR TO SUIT EXISTING DRIVEWAYS, APPROACHES, ETC.
 5. LIGHT STANDARDS, HYDROPOLES, AND ANCHORS MAY REQUIRE SUPPORT AND/OR REMOVAL AND REPLACEMENT AT CONTRACTORS EXPENSE



<p>LEGEND</p> <table border="1"> <tr> <th>EXISTING</th> <th>LEGEND - PLAN</th> <th>PROPOSED</th> <th>EXISTING</th> <th>LEGEND - PLAN</th> <th>PROPOSED</th> <th>EXISTING</th> <th>LEGEND - PROFILE</th> <th>PROPOSED</th> </tr> <tr> <td>---</td> <td>WATERMAIN</td> <td>---</td> <td>---</td> <td>GAS</td> <td>---</td> <td>---</td> <td>---</td> <td>---</td> </tr> <tr> <td>---</td> <td>HYDRANT</td> <td>---</td> <td>---</td> <td>M.T.S.</td> <td>---</td> <td>---</td> <td>---</td> <td>---</td> </tr> <tr> <td>---</td> <td>VALVE</td> <td>---</td> <td>---</td> <td>TRAFFIC SIGNALS</td> <td>---</td> <td>---</td> <td>---</td> <td>---</td> </tr> <tr> <td>---</td> <td>CURB STOP</td> <td>---</td> <td>---</td> <td>CONCRETE/ASPHALT</td> <td>---</td> <td>---</td> <td>---</td> <td>---</td> </tr> <tr> <td>---</td> <td>LAND DRAINAGE SEWER</td> <td>---</td> <td>---</td> <td>SIDEWALK</td> <td>---</td> <td>---</td> <td>---</td> <td>---</td> </tr> <tr> <td>---</td> <td>WASTE WATER SEWER</td> <td>---</td> <td>---</td> <td>CURB RAMP</td> <td>---</td> <td>---</td> <td>---</td> <td>---</td> </tr> <tr> <td>---</td> <td>CB LEAD</td> <td>---</td> <td>---</td> <td>ELEVATIONS</td> <td>---</td> <td>---</td> <td>---</td> <td>---</td> </tr> <tr> <td>---</td> <td>MANHOLE</td> <td>---</td> <td>---</td> <td>PROPERTY LINE</td> <td>---</td> <td>---</td> <td>---</td> <td>---</td> </tr> <tr> <td>---</td> <td>CATCH BASIN</td> <td>---</td> <td>---</td> <td>SURVEY BAR</td> <td>---</td> <td>---</td> <td>---</td> <td>---</td> </tr> <tr> <td>---</td> <td>CURB INLET</td> <td>---</td> <td>---</td> <td></td> <td></td> <td></td> <td></td> <td></td> </tr> <tr> <td>---</td> <td>HYDRO</td> <td>---</td> <td>---</td> <td></td> <td></td> <td></td> <td></td> <td></td> </tr> </table>		EXISTING	LEGEND - PLAN	PROPOSED	EXISTING	LEGEND - PLAN	PROPOSED	EXISTING	LEGEND - PROFILE	PROPOSED	---	WATERMAIN	---	---	GAS	---	---	---	---	---	HYDRANT	---	---	M.T.S.	---	---	---	---	---	VALVE	---	---	TRAFFIC SIGNALS	---	---	---	---	---	CURB STOP	---	---	CONCRETE/ASPHALT	---	---	---	---	---	LAND DRAINAGE SEWER	---	---	SIDEWALK	---	---	---	---	---	WASTE WATER SEWER	---	---	CURB RAMP	---	---	---	---	---	CB LEAD	---	---	ELEVATIONS	---	---	---	---	---	MANHOLE	---	---	PROPERTY LINE	---	---	---	---	---	CATCH BASIN	---	---	SURVEY BAR	---	---	---	---	---	CURB INLET	---	---						---	HYDRO	---	---						<p>LOCATION APPROVED UNDERGROUND STRUCTURES</p> <table border="1"> <tr> <th>SUPV.</th> <th>U/G</th> <th>STRUCTURES</th> <th>DATE</th> </tr> <tr> <td>---</td> <td>---</td> <td>---</td> <td>---</td> </tr> </table> <p>NOTE: LOCATION OF UNDERGROUND STRUCTURES AS SHOWN ARE BASED ON THE BEST INFORMATION AVAILABLE BUT NO GUARANTEE IS GIVEN THAT ALL EXISTING UTILITIES ARE SHOWN OR THAT THE GIVEN LOCATIONS ARE EXACT. CONFIRMATION OF EXISTENCE AND EXACT LOCATION OF ALL SERVICES MUST BE OBTAINED FROM THE INDIVIDUAL UTILITIES BEFORE PROCEEDING WITH CONSTRUCTION.</p>	SUPV.	U/G	STRUCTURES	DATE	---	---	---	---	<p>B.M. ELEV.</p> <table border="1"> <tr> <td>---</td> <td>---</td> <td>---</td> <td>---</td> </tr> </table>	---	---	---	---	<p>WSP</p> <p>111-93 Lombard Avenue Winnipeg, Manitoba R3B 3B1 Canada Phone: 204-943-3178 Fax: 204-943-4948 wsp.com</p>	<p>PROVINCE OF MANITOBA</p> <p>REGISTERED PROFESSIONAL ENGINEER</p> <p>X.X. XXXXXXX</p>	<p>THE CITY OF WINNIPEG</p> <p>PUBLIC WORKS DEPARTMENT</p> <p>2017 ALLEY RENEWALS - CONTRACT 1</p> <p>JEFFERSON AVENUE/SEVEN OAKS AVENUE ALLEY</p> <p>FROM MCGREGOR STREET TO MATCHLINE AT STA 2+25</p> <p>CONCRETE PAVEMENT</p>	<p>CITY DRAWING NO.</p> <p>SHEET 1 of 3</p> <p>BID OPPORTUNITY</p> <p>379-2017</p>
EXISTING	LEGEND - PLAN	PROPOSED	EXISTING	LEGEND - PLAN	PROPOSED	EXISTING	LEGEND - PROFILE	PROPOSED																																																																																																																							
---	WATERMAIN	---	---	GAS	---	---	---	---																																																																																																																							
---	HYDRANT	---	---	M.T.S.	---	---	---	---																																																																																																																							
---	VALVE	---	---	TRAFFIC SIGNALS	---	---	---	---																																																																																																																							
---	CURB STOP	---	---	CONCRETE/ASPHALT	---	---	---	---																																																																																																																							
---	LAND DRAINAGE SEWER	---	---	SIDEWALK	---	---	---	---																																																																																																																							
---	WASTE WATER SEWER	---	---	CURB RAMP	---	---	---	---																																																																																																																							
---	CB LEAD	---	---	ELEVATIONS	---	---	---	---																																																																																																																							
---	MANHOLE	---	---	PROPERTY LINE	---	---	---	---																																																																																																																							
---	CATCH BASIN	---	---	SURVEY BAR	---	---	---	---																																																																																																																							
---	CURB INLET	---	---																																																																																																																												
---	HYDRO	---	---																																																																																																																												
SUPV.	U/G	STRUCTURES	DATE																																																																																																																												
---	---	---	---																																																																																																																												
---	---	---	---																																																																																																																												