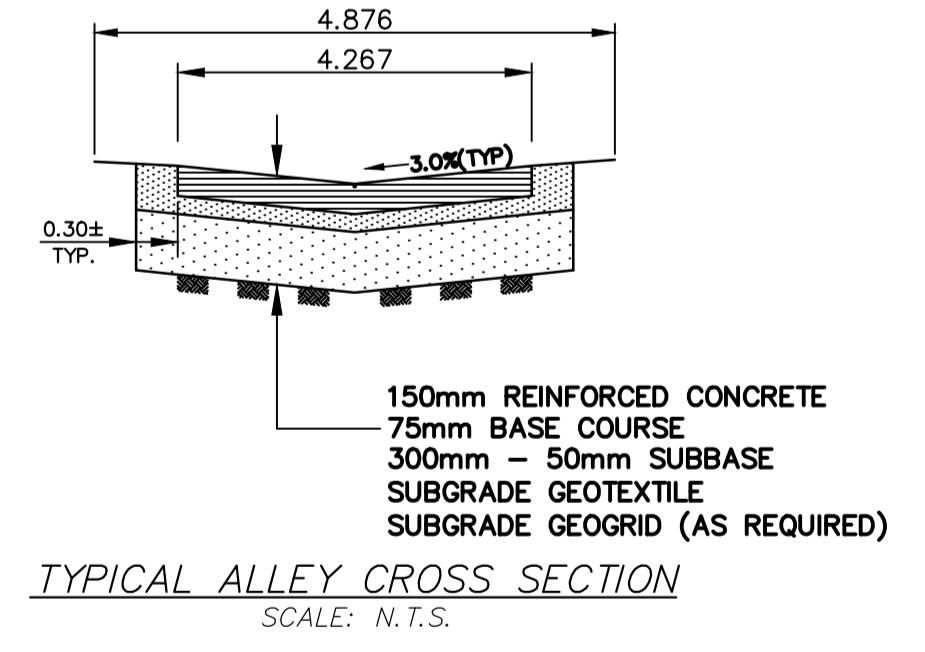
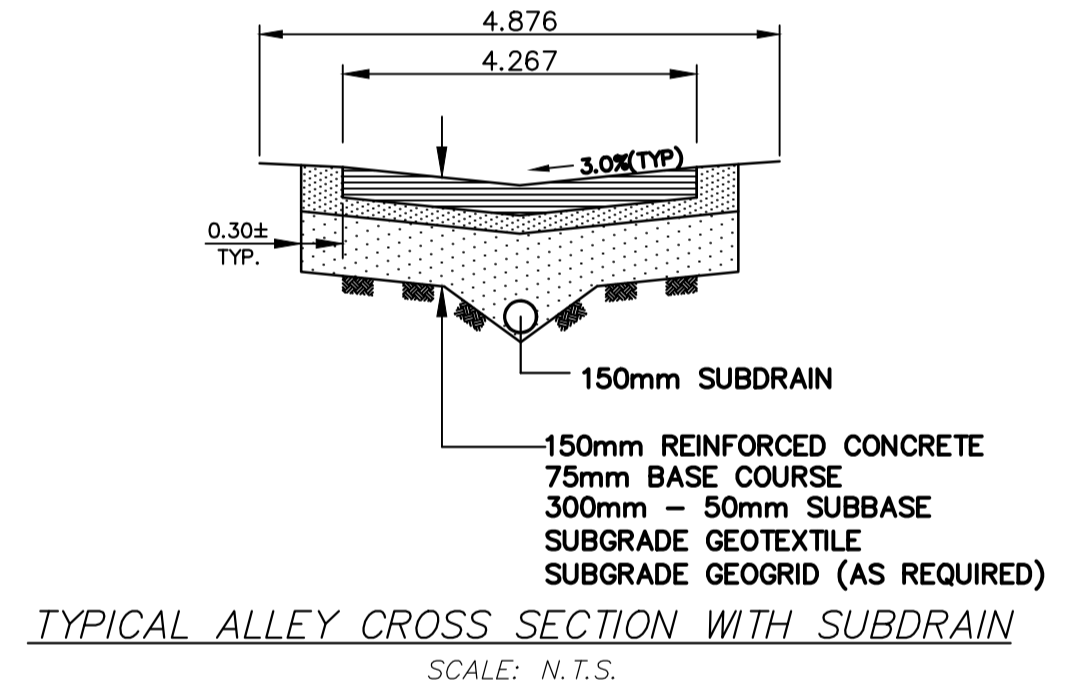
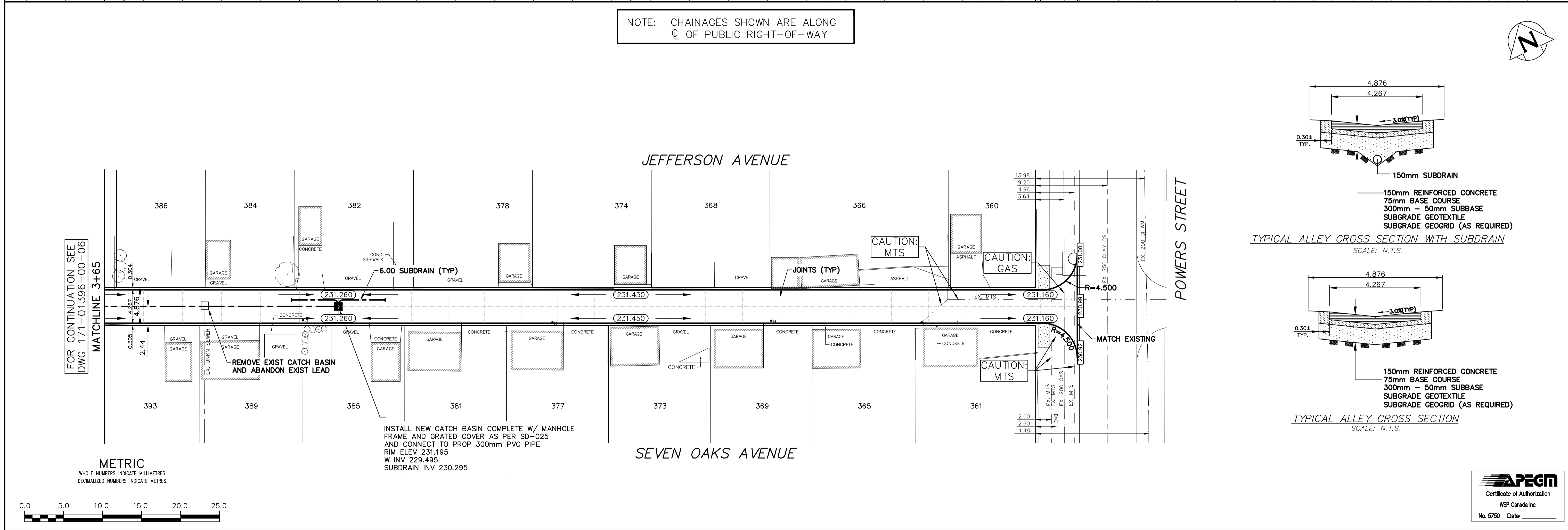
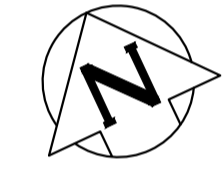


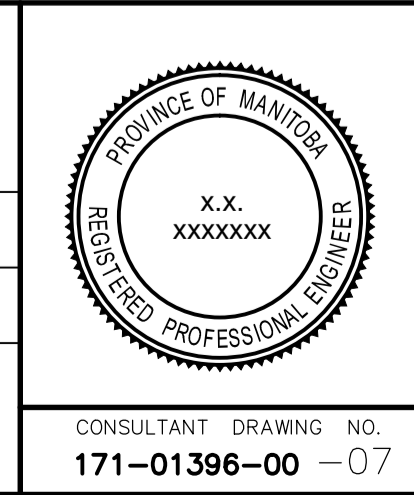
- NOTES:**
- ISOLATE EXISTING HYDRO POLES AS DIRECTED BY CONTRACT ADMINISTRATOR
 - RENEW EXISTING APPROACHES AND SIDEWALK AS DIRECTED BY CONTRACT ADMINISTRATOR
 - ADDITIONAL EXCAVATION AND INSTALLATION OF SUBGRADE GEOGRID TO BE DETERMINED BY CONTRACT ADMINISTRATOR
 - ADJUSTMENTS TO PROPOSED CROSSFALL, WHERE REQUIRED, ARE TO BE DETERMINED BY CONTRACT ADMINISTRATOR TO SUIT EXISTING DRIVEWAYS, APPROACHES, ETC.
 - LIGHT STANDARDS, HYDROPOLES, AND ANCHORS MAY REQUIRE SUPPORT AND/OR REMOVAL AND REPLACEMENT AT CONTRACTORS EXPENSE

NOTE: CHAINAGES SHOWN ARE ALONG ϕ OF PUBLIC RIGHT-OF-WAY



<table border="0"> <tr><td>WATERMAIN</td><td>---</td><td>GAS</td><td>---</td></tr> <tr><td>HYDRANT</td><td>⊕</td><td>M.T.S.</td><td>---</td></tr> <tr><td>VALVE</td><td>⊙</td><td>TRAFFIC SIGNALS</td><td>---</td></tr> <tr><td>CURB STOP</td><td>⊙</td><td>CONCRETE/ASPHALT</td><td>---</td></tr> <tr><td>LAND DRAINAGE SEWER</td><td>---</td><td>SIDEWALK</td><td>---</td></tr> <tr><td>WASTE WATER SEWER</td><td>---</td><td>CURB RAMP</td><td>---</td></tr> <tr><td>CB LEAD</td><td>---</td><td>ELEVATIONS</td><td>(32.00)</td></tr> <tr><td>MANHOLE</td><td>⊙</td><td>PROPERTY LINE</td><td>---</td></tr> <tr><td>CATCH BASIN</td><td>⊕</td><td>SURVEY BAR</td><td>---</td></tr> <tr><td>CURB INLET</td><td>⊕</td><td></td><td></td></tr> <tr><td>HYDRO</td><td>---</td><td></td><td></td></tr> </table>	WATERMAIN	---	GAS	---	HYDRANT	⊕	M.T.S.	---	VALVE	⊙	TRAFFIC SIGNALS	---	CURB STOP	⊙	CONCRETE/ASPHALT	---	LAND DRAINAGE SEWER	---	SIDEWALK	---	WASTE WATER SEWER	---	CURB RAMP	---	CB LEAD	---	ELEVATIONS	(32.00)	MANHOLE	⊙	PROPERTY LINE	---	CATCH BASIN	⊕	SURVEY BAR	---	CURB INLET	⊕			HYDRO	---			<table border="0"> <tr><td>150 MM</td><td>---</td><td>150 MM</td><td>---</td></tr> <tr><td>300 LDS</td><td>---</td><td>300 LDS</td><td>---</td></tr> <tr><td>250 WWS</td><td>---</td><td>250 WWS</td><td>---</td></tr> </table>	150 MM	---	150 MM	---	300 LDS	---	300 LDS	---	250 WWS	---	250 WWS	---	<table border="0"> <tr><td>WATERMAIN</td><td>---</td><td>150 MM</td><td>---</td></tr> <tr><td>VALVE</td><td>---</td><td>300 LDS</td><td>---</td></tr> <tr><td>LAND DRAINAGE SEWER</td><td>---</td><td>250 WWS</td><td>---</td></tr> <tr><td>WASTE WATER SEWER</td><td>---</td><td></td><td></td></tr> <tr><td>CENTERLINE</td><td>---</td><td></td><td></td></tr> <tr><td>SOUTH & EAST GUTTER</td><td>---</td><td></td><td></td></tr> <tr><td>NORTH & WEST GUTTER</td><td>---</td><td></td><td></td></tr> <tr><td>S & E GARAGE PAD</td><td>---</td><td></td><td></td></tr> <tr><td>N & W GARAGE PAD</td><td>---</td><td></td><td></td></tr> </table>	WATERMAIN	---	150 MM	---	VALVE	---	300 LDS	---	LAND DRAINAGE SEWER	---	250 WWS	---	WASTE WATER SEWER	---			CENTERLINE	---			SOUTH & EAST GUTTER	---			NORTH & WEST GUTTER	---			S & E GARAGE PAD	---			N & W GARAGE PAD	---			<p>LOCATION APPROVED UNDERGROUND STRUCTURES</p> <p>SUPV. U/G STRUCTURES DATE COMMITTEE</p> <p>NOTE: LOCATION OF UNDERGROUND STRUCTURES AS SHOWN ARE BASED ON THE BEST INFORMATION AVAILABLE BUT NO GUARANTEE IS GIVEN THAT ALL EXISTING UTILITIES ARE SHOWN OR THAT THE GIVEN LOCATIONS ARE EXACT. CONFIRMATION OF EXISTENCE AND EXACT LOCATION OF ALL SERVICES MUST BE OBTAINED FROM THE INDIVIDUAL UTILITIES BEFORE PROCEEDING WITH CONSTRUCTION.</p>	<table border="0"> <tr><td>B.M. ELEV.</td><td>---</td><td>---</td><td>---</td></tr> <tr><td>---</td><td>---</td><td>---</td><td>---</td></tr> <tr><td>---</td><td>---</td><td>---</td><td>---</td></tr> <tr><td>---</td><td>---</td><td>---</td><td>---</td></tr> <tr><td>---</td><td>---</td><td>---</td><td>---</td></tr> <tr><td>---</td><td>---</td><td>---</td><td>---</td></tr> <tr><td>---</td><td>---</td><td>---</td><td>---</td></tr> <tr><td>---</td><td>---</td><td>---</td><td>---</td></tr> <tr><td>---</td><td>---</td><td>---</td><td>---</td></tr> <tr><td>---</td><td>---</td><td>---</td><td>---</td></tr> <tr><td>---</td><td>---</td><td>---</td><td>---</td></tr> </table>	B.M. ELEV.	---	---	---	---	---	---	---	---	---	---	---	---	---	---	---	---	---	---	---	---	---	---	---	---	---	---	---	---	---	---	---	---	---	---	---	---	---	---	---	---	---	---	---
WATERMAIN	---	GAS	---																																																																																																																																									
HYDRANT	⊕	M.T.S.	---																																																																																																																																									
VALVE	⊙	TRAFFIC SIGNALS	---																																																																																																																																									
CURB STOP	⊙	CONCRETE/ASPHALT	---																																																																																																																																									
LAND DRAINAGE SEWER	---	SIDEWALK	---																																																																																																																																									
WASTE WATER SEWER	---	CURB RAMP	---																																																																																																																																									
CB LEAD	---	ELEVATIONS	(32.00)																																																																																																																																									
MANHOLE	⊙	PROPERTY LINE	---																																																																																																																																									
CATCH BASIN	⊕	SURVEY BAR	---																																																																																																																																									
CURB INLET	⊕																																																																																																																																											
HYDRO	---																																																																																																																																											
150 MM	---	150 MM	---																																																																																																																																									
300 LDS	---	300 LDS	---																																																																																																																																									
250 WWS	---	250 WWS	---																																																																																																																																									
WATERMAIN	---	150 MM	---																																																																																																																																									
VALVE	---	300 LDS	---																																																																																																																																									
LAND DRAINAGE SEWER	---	250 WWS	---																																																																																																																																									
WASTE WATER SEWER	---																																																																																																																																											
CENTERLINE	---																																																																																																																																											
SOUTH & EAST GUTTER	---																																																																																																																																											
NORTH & WEST GUTTER	---																																																																																																																																											
S & E GARAGE PAD	---																																																																																																																																											
N & W GARAGE PAD	---																																																																																																																																											
B.M. ELEV.	---	---	---																																																																																																																																									
---	---	---	---																																																																																																																																									
---	---	---	---																																																																																																																																									
---	---	---	---																																																																																																																																									
---	---	---	---																																																																																																																																									
---	---	---	---																																																																																																																																									
---	---	---	---																																																																																																																																									
---	---	---	---																																																																																																																																									
---	---	---	---																																																																																																																																									
---	---	---	---																																																																																																																																									
---	---	---	---																																																																																																																																									

DESIGNED BY	A.B.	CHECKED BY	R.H.
DRAWN BY	A.B.	APPROVED BY	S.M.
HOR. SCALE:	1:250	RELEASED FOR CONSTRUCTION	---
VERT. SCALE:	1:25		



THE CITY OF WINNIPEG
PUBLIC WORKS DEPARTMENT

2017 ALLEY RENEWALS - CONTRACT 1
JEFFERSON AVENUE/SEVEN OAKS AVENUE ALLEY
FROM MATCHLINE AT 3+60 TO POWERS STREET
CONCRETE PAVEMENT

CITY DRAWING NO. SHEET 3 OF 3
BID OPPORTUNITY 379-2017