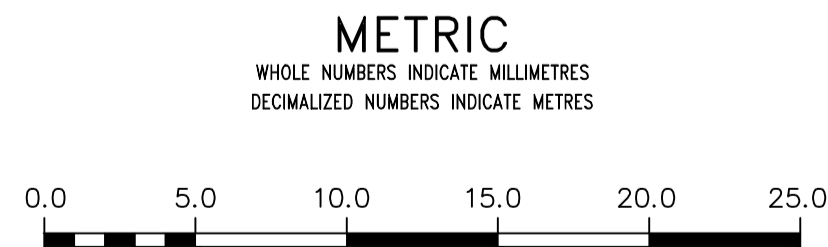
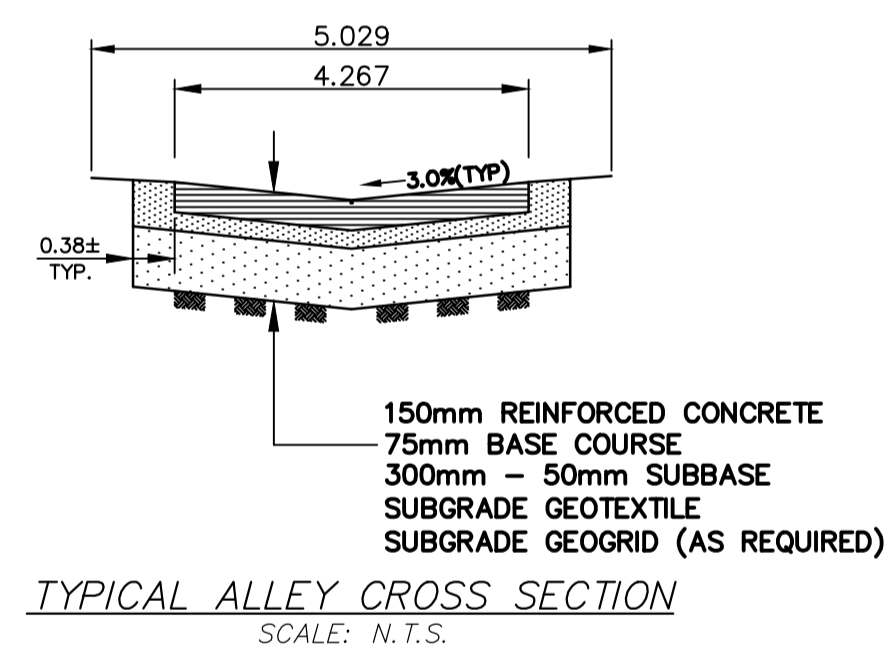
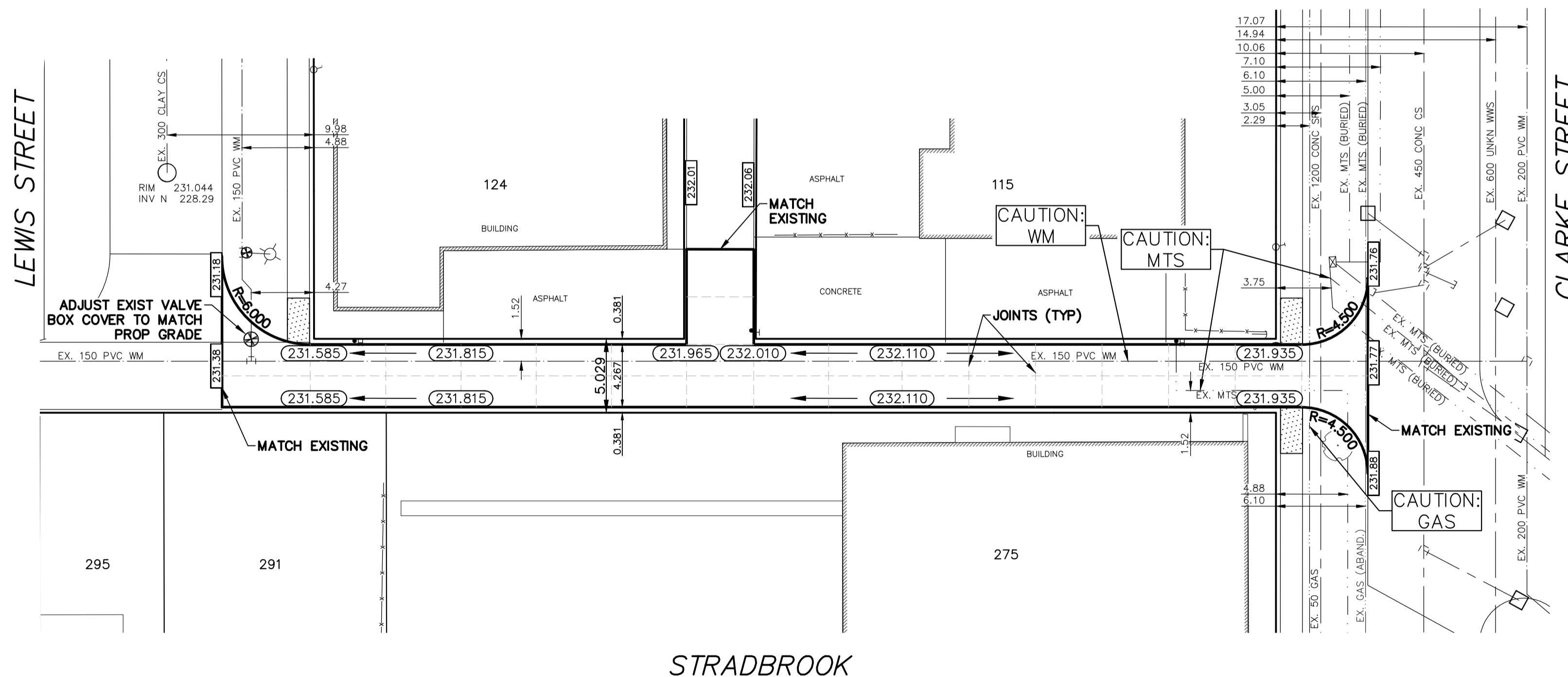
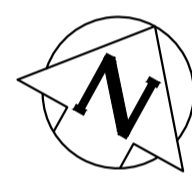


- NOTES:**
- ISOLATE EXISTING HYDRO POLES AS DIRECTED BY CONTRACT ADMINISTRATOR
 - RENEW EXISTING APPROACHES AND SIDEWALK AS DIRECTED BY CONTRACT ADMINISTRATOR
 - ADDITIONAL EXCAVATION AND INSTALLATION OF SUBGRADE GEOGRID TO BE DETERMINED BY CONTRACT ADMINISTRATOR
 - ADJUSTMENTS TO PROPOSED CROSSFALL, WHERE REQUIRED, ARE TO BE DETERMINED BY CONTRACT ADMINISTRATOR TO SUIT EXISTING DRIVEWAYS, APPROACHES, ETC.
 - LIGHT STANDARDS, HYDROPOLES, AND ANCHORS MAY REQUIRE SUPPORT AND/OR REMOVAL AND REPLACEMENT AT CONTRACTORS EXPENSE

NOTE: CHAINAGES SHOWN ARE ALONG CL OF PUBLIC RIGHT-OF-WAY



EXISTING	LEGEND - PLAN	PROPOSED	EXISTING	LEGEND - PLAN	PROPOSED	EXISTING	LEGEND - PROFILE	PROPOSED
---	WATERMAIN	---	---	GAS	---	---	WATERMAIN	---
---	HYDRANT	---	---	M.T.S.	---	---	VALVE	---
---	VALVE	---	---	TRAFFIC SIGNALS	---	---	LAND DRAINAGE SEWER	---
---	CURB STOP	---	---	CONCRETE/ASPHALT	---	---	WASTE WATER SEWER	---
---	LAND DRAINAGE SEWER	---	---	SIDEWALK	---	---	CENTERLINE	---
---	WASTE WATER SEWER	---	---	CURB RAMP	---	---	SOUTH & EAST GUTTER	---
---	CB LEAD	---	---	ELEVATIONS	---	---	NORTH & WEST GUTTER	---
---	MANHOLE	---	---	PROPERTY LINE	---	---	S & E GARAGE PAD	---
---	CATCH BASIN	---	---	SURVEY BAR	---	---	N & W GARAGE PAD	---
---	CURB INLET	---	---		---	---		---
---	HYDRO	---	---		---	---		---

LOCATION APPROVED UNDERGROUND STRUCTURES

SUPV.	U/G	STRUCTURES	DATE
---	---	---	---

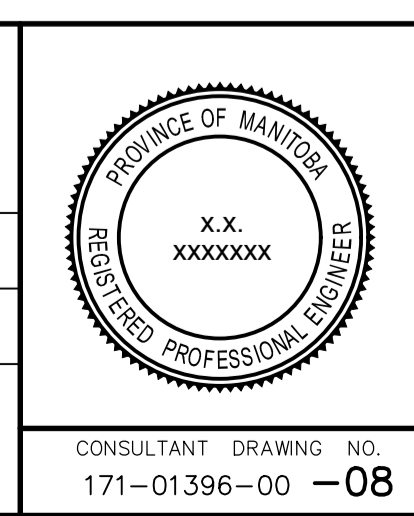
NOTE:
LOCATION OF UNDERGROUND STRUCTURES AS SHOWN ARE BASED ON THE BEST INFORMATION AVAILABLE BUT NO GUARANTEE IS GIVEN THAT ALL EXISTING UTILITIES ARE SHOWN OR THAT THE GIVEN LOCATIONS ARE EXACT. CONFIRMATION OF EXISTENCE AND EXACT LOCATION OF ALL SERVICES MUST BE OBTAINED FROM THE INDIVIDUAL UTILITIES BEFORE PROCEEDING WITH CONSTRUCTION.

B.M.	ELEV.	---	---
---	---	---	---

wsp 111-83 Lombard Avenue
Winnipeg, Manitoba
R2B 3B1 Canada
Phone: 204-943-3178
Fax: 204-943-4948
wsp.com

DESIGNED BY	CHECKED BY
A.B.	R.H.
DRAWN BY	APPROVED BY
A.B.	S.M.
3 ISSUED FOR TENDER	7/05/24 R.H.
2 80% DESIGN REVIEW	7/04/05 A.B.
1 PROPOSED LDS ALIGNMENT	7/03/27 A.B.

HOR. SCALE: 1:250
VERT. SCALE: 1:25



THE CITY OF WINNIPEG
PUBLIC WORKS DEPARTMENT

Winnipeg

2017 ALLEY RENEWALS - CONTRACT 1
LEWIS STREET/CLARKE STREET ALLEY
FROM LEWIS STREET TO CLARKE STREET
CONCRETE PAVEMENT

CITY DRAWING NO. SHEET 1 OF 1
BID OPPORTUNITY

CONSULTANT DRAWING NO. 171-01396-00 -08