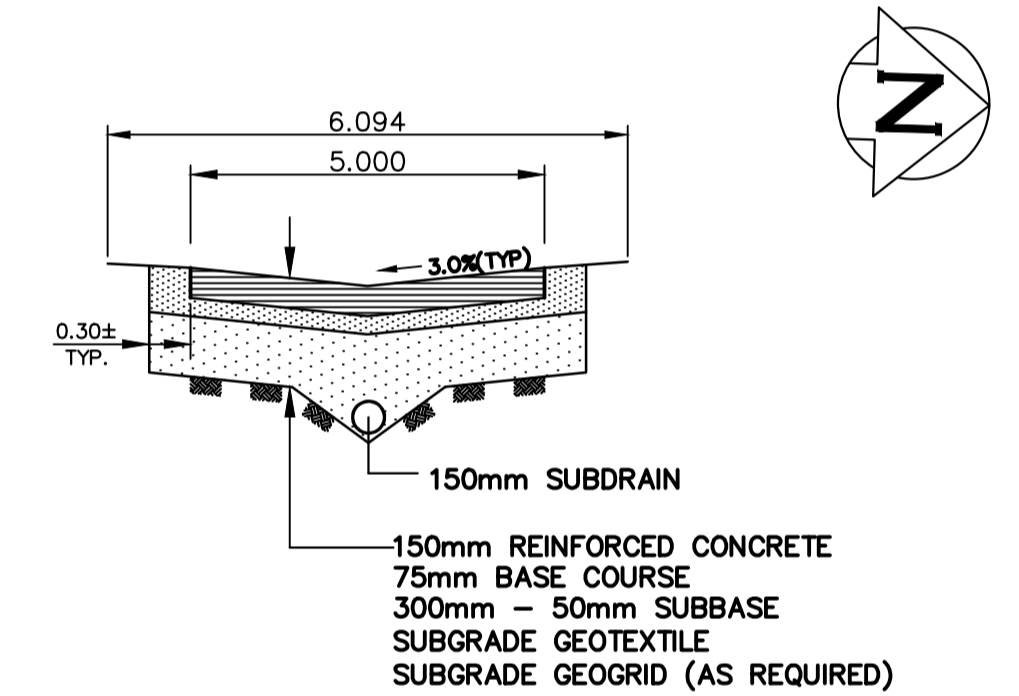
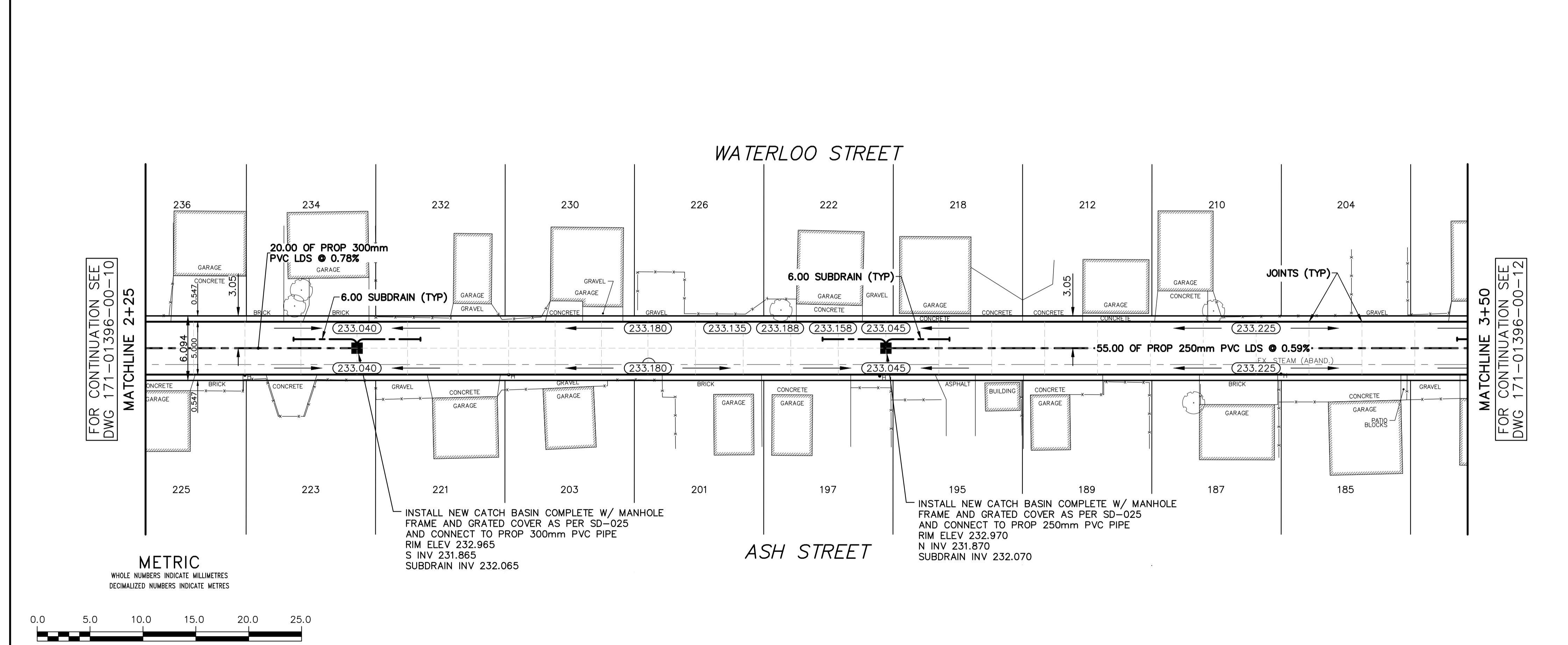
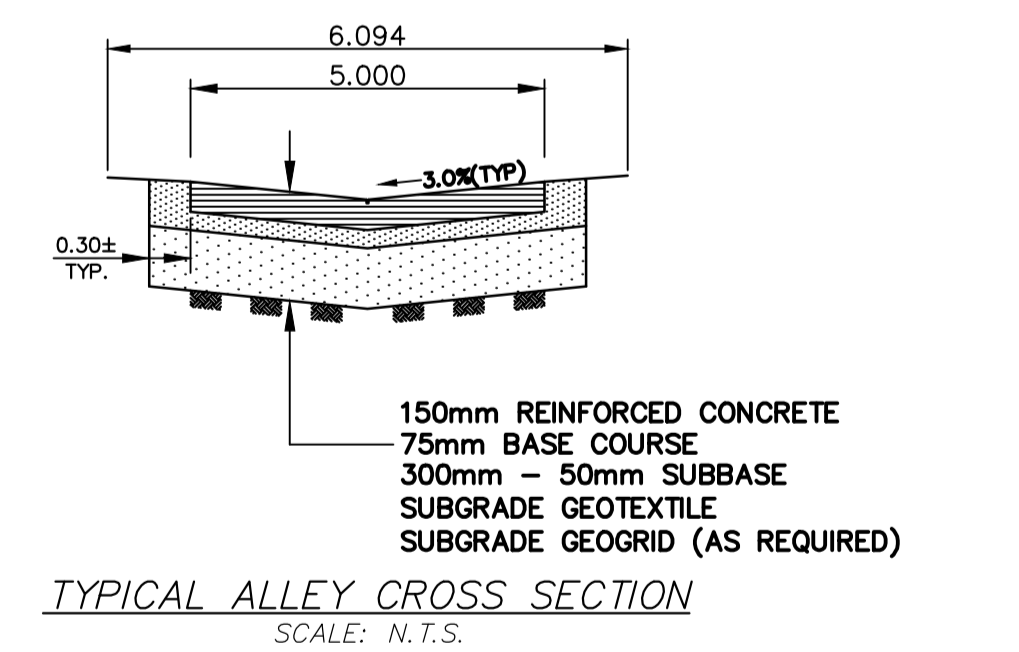


- NOTES:**
- ISOLATE EXISTING HYDRO POLES AS DIRECTED BY CONTRACT ADMINISTRATOR
 - RENEW EXISTING APPROACHES AND SIDEWALK AS DIRECTED BY CONTRACT ADMINISTRATOR
 - ADDITIONAL EXCAVATION AND INSTALLATION OF SUBGRADE GEOGRID TO BE DETERMINED BY CONTRACT ADMINISTRATOR
 - ADJUSTMENTS TO PROPOSED CROSSFALL, WHERE REQUIRED, ARE TO BE DETERMINED BY CONTRACT ADMINISTRATOR TO SUIT EXISTING DRIVEWAYS, APPROACHES, ETC.
 - LIGHT STANDARDS, HYDROPOLES, AND ANCHORS MAY REQUIRE SUPPORT AND/OR REMOVAL AND REPLACEMENT AT CONTRACTORS EXPENSE

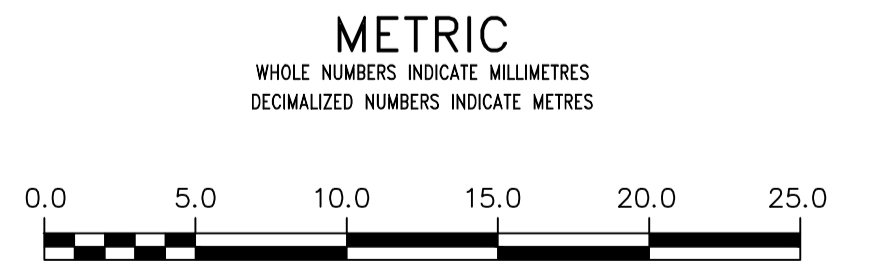
NOTE: CHAINAGES SHOWN ARE ALONG CL OF PUBLIC RIGHT-OF-WAY



TYPICAL ALLEY CROSS SECTION WITH SUBDRAIN
SCALE: N.T.S.



TYPICAL ALLEY CROSS SECTION
SCALE: N.T.S.



EXISTING	LEGEND - PLAN	PROPOSED	EXISTING	LEGEND - PLAN	PROPOSED	EXISTING	LEGEND - PROFILE	PROPOSED
	WATERMAIN			GAS M.T.S.			WATERMAIN VALVE	
	HYDRANT			TRAFFIC SIGNALS			LAND DRAINAGE SEWER	
	VALVE			CONCRETE/ASPHALT			CENTERLINE	
	CURB STOP			SIDEWALK			SOUTH & EAST GUTTER	
	LAND DRAINAGE SEWER			CURB RAMP			NORTH & WEST GUTTER	
	WASTE WATER SEWER			ELEVATIONS (32.00)			S & E GARAGE PAD	
	CB LEAD			PROPERTY LINE			N & W GARAGE PAD	
	MANHOLE			SURVEY BAR				
	CATCH BASIN							
	CURB INLET							
	HYDRO							

LOCATION APPROVED UNDERGROUND STRUCTURES

SUPV. U/G STRUCTURES DATE COMMITTEE

NOTE:
LOCATION OF UNDERGROUND STRUCTURES AS SHOWN ARE BASED ON THE BEST INFORMATION AVAILABLE BUT NO GUARANTEE IS GIVEN THAT ALL EXISTING UTILITIES ARE SHOWN OR THAT THE GIVEN LOCATIONS ARE EXACT. CONFIRMATION OF EXISTENCE AND EXACT LOCATION OF ALL SERVICES MUST BE OBTAINED FROM THE INDIVIDUAL UTILITIES BEFORE PROCEEDING WITH CONSTRUCTION.

B.M. ELEV.	DESIGNED BY	CHECKED BY	DATE
--	A.B.	R.H.	--
--	K.G.	S.M.	--
--			--
3	ISSUED FOR TENDER	R.H.	7/05/24
2	80% DESIGN REVIEW	A.B.	7/04/05
1	PROPOSED LDS ALIGNMENT	A.B.	7/03/22

wsp

111-83 Lombard Avenue
Winnipeg, Manitoba
R2B 3B1 Canada
Phone: 204-943-3178
Fax: 204-943-4948
wsp.com

DESIGNED BY: A.B.
CHECKED BY: R.H.
DRAWN BY: K.G.
APPROVED BY: S.M.

HOR. SCALE: 1:250
VERT. SCALE: 1:25

CONSULTANT DRAWING NO.: 171-01396-00 -11

THE CITY OF WINNIPEG
PUBLIC WORKS DEPARTMENT

2017 ALLEY RENEWALS - CONTRACT 1
WATERLOO STREET/ASH STREET ALLEY
FROM MATCHLINE AT 2+25
TO MATCHLINE AT 3+50
CONCRETE PAVEMENT

CITY DRAWING NO. SHEET 2 OF 3
BID OPPORTUNITY

PROFESSIONAL ENGINEER
X.X.
XXXXXXX

