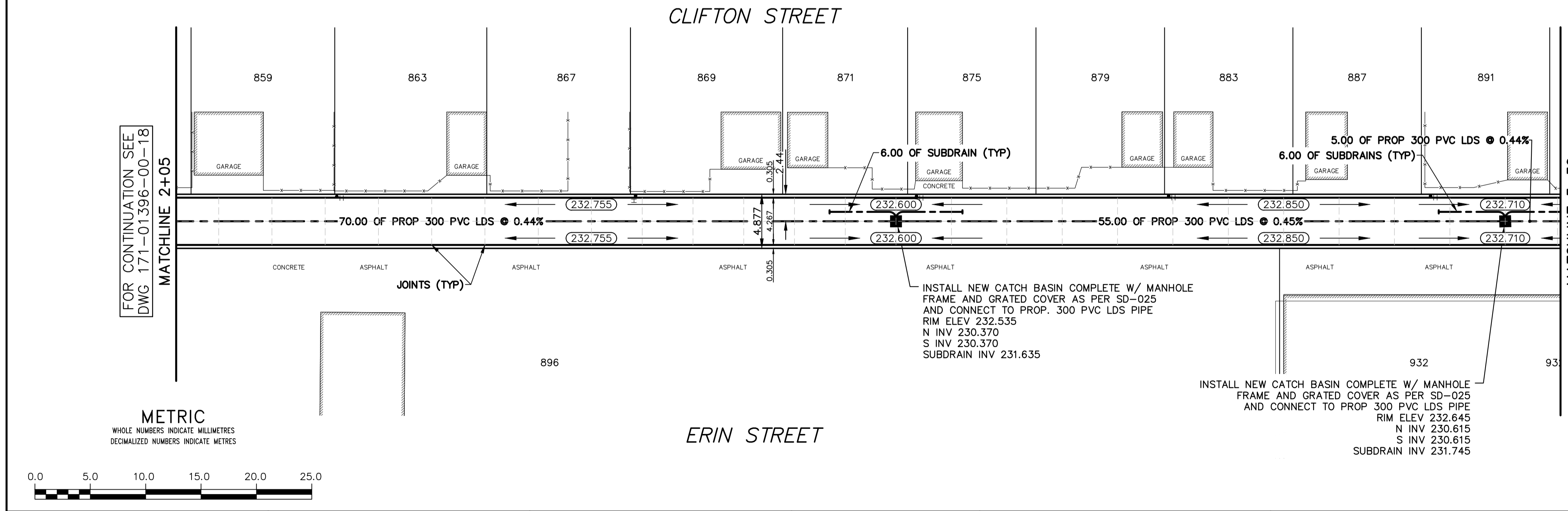
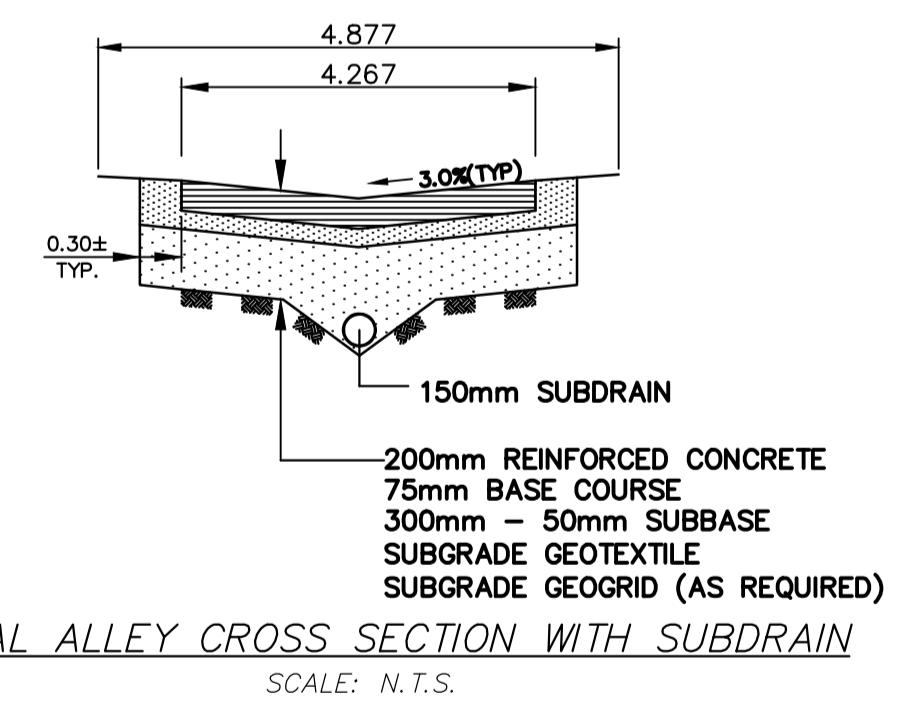
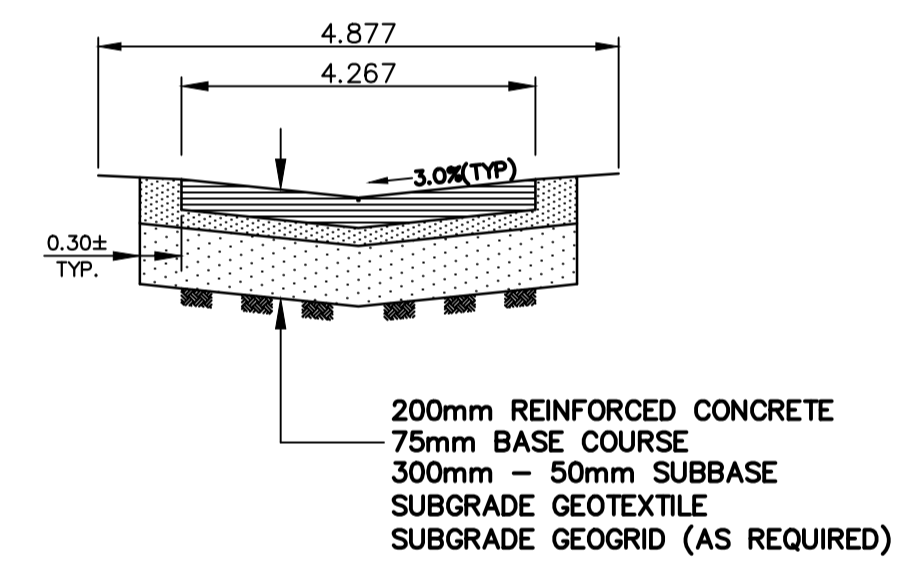
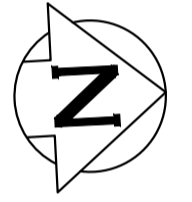


- NOTES:**
- ISOLATE EXISTING HYDRO POLES AS DIRECTED BY CONTRACT ADMINISTRATOR
 - RENEW EXISTING APPROACHES AND SIDEWALK AS DIRECTED BY CONTRACT ADMINISTRATOR
 - ADDITIONAL EXCAVATION AND INSTALLATION OF SUBGRADE GEOGRID TO BE DETERMINED BY CONTRACT ADMINISTRATOR
 - ADJUSTMENTS TO PROPOSED CROSSFALL, WHERE REQUIRED, ARE TO BE DETERMINED BY CONTRACT ADMINISTRATOR TO SUIT EXISTING DRIVEWAYS, APPROACHES, ETC.
 - LIGHT STANDARDS, HYDROPOLES, AND ANCHORS MAY REQUIRE SUPPORT AND/OR REMOVAL AND REPLACEMENT AT CONTRACTORS EXPENSE

NOTE: CHAINAGES SHOWN ARE ALONG CL OF PUBLIC RIGHT-OF-WAY



WATERMAIN	---	GAS	---	150 WM	---	WATERMAIN	---	150 WM	---
HYDRANT	◆	M.T.S.	---	300 LDS	---	VALVE	---	300 LDS	---
VALVE	⊙	TRAFFIC SIGNALS	---	250 WWS	---	LAND DRAINAGE SEWER	---	250 WWS	---
CURB STOP	●	CONCRETE/ASPHALT	---	---	---	WASTE WATER SEWER	---	---	---
LAND DRAINAGE SEWER	---	SIDEWALK	---	---	---	CENTERLINE	---	---	---
WASTE WATER SEWER	---	CURB RAMP	---	---	---	SOUTH & EAST GUTTER	---	---	---
CB LEAD	---	ELEVATIONS	(32.00)	---	---	NORTH & WEST GUTTER	---	---	---
MANHOLE	○	PROPERTY LINE	---	---	---	S & E GARAGE PAD	---	---	---
CATCH BASIN	□	SURVEY BAR	---	---	---	N & W GARAGE PAD	---	---	---
CURB INLET	▽	---	---	---	---	---	---	---	---
HYDRO	◇	---	---	---	---	---	---	---	---
EXISTING	LEGEND - PLAN	PROPOSED	EXISTING	LEGEND - PLAN	PROPOSED	EXISTING	LEGEND - PROFILE	PROPOSED	EXISTING

LOCATION APPROVED UNDERGROUND STRUCTURES

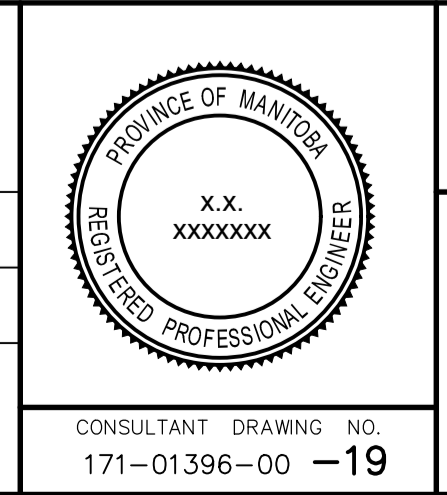
SUPV. U/G STRUCTURES DATE COMMITTEE

NOTE:
LOCATION OF UNDERGROUND STRUCTURES AS SHOWN ARE BASED ON THE BEST INFORMATION AVAILABLE BUT NO GUARANTEE IS GIVEN THAT ALL EXISTING UTILITIES ARE SHOWN OR THAT THE GIVEN LOCATIONS ARE EXACT. CONFIRMATION OF EXISTENCE AND EXACT LOCATION OF ALL SERVICES MUST BE OBTAINED FROM THE INDIVIDUAL UTILITIES BEFORE PROCEEDING WITH CONSTRUCTION.

B.M. ELEV.	---	---	---
DESIGNED BY	K.G.	CHECKED BY	R.H.
DRAWN BY	K.G.	APPROVED BY	S.M.
HOR. SCALE:	1:250	RELEASED FOR CONSTRUCTION	---
VERT. SCALE:	1:25	---	---
2	ISSUED FOR TENDER	17/06/05	R.H.
1	PRELIMINARY DESIGN	17/04/03	K.G.

wsp

111-83 Lombard Avenue
Winnipeg, Manitoba
R2B 3B1 Canada
Phone: 204-943-3178
Fax: 204-943-4948
wsp.com



THE CITY OF WINNIPEG
PUBLIC WORKS DEPARTMENT

2017 ALLEY RENEWALS - CONTRACT 2
CLIFTON STREET/ERIN STREET ALLEY

FROM MATCHLINE AT 2+05 TO MATCHLINE AT 3+30
CONCRETE PAVEMENT

CITY DRAWING NO. SHEET 2 OF 3
BID OPPORTUNITY 380-2017

