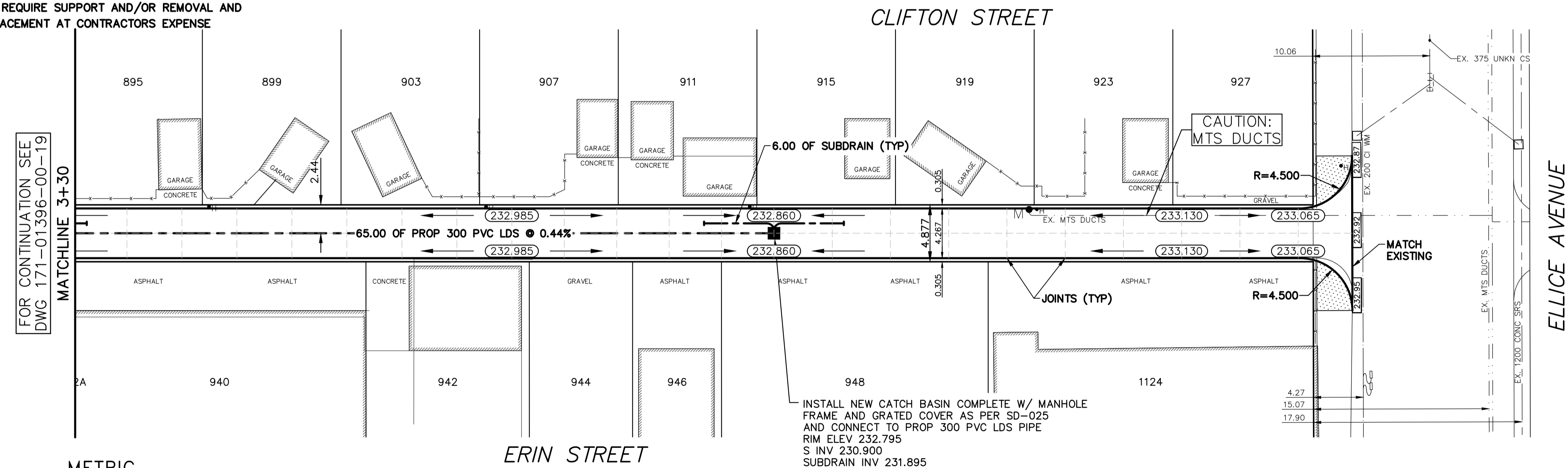
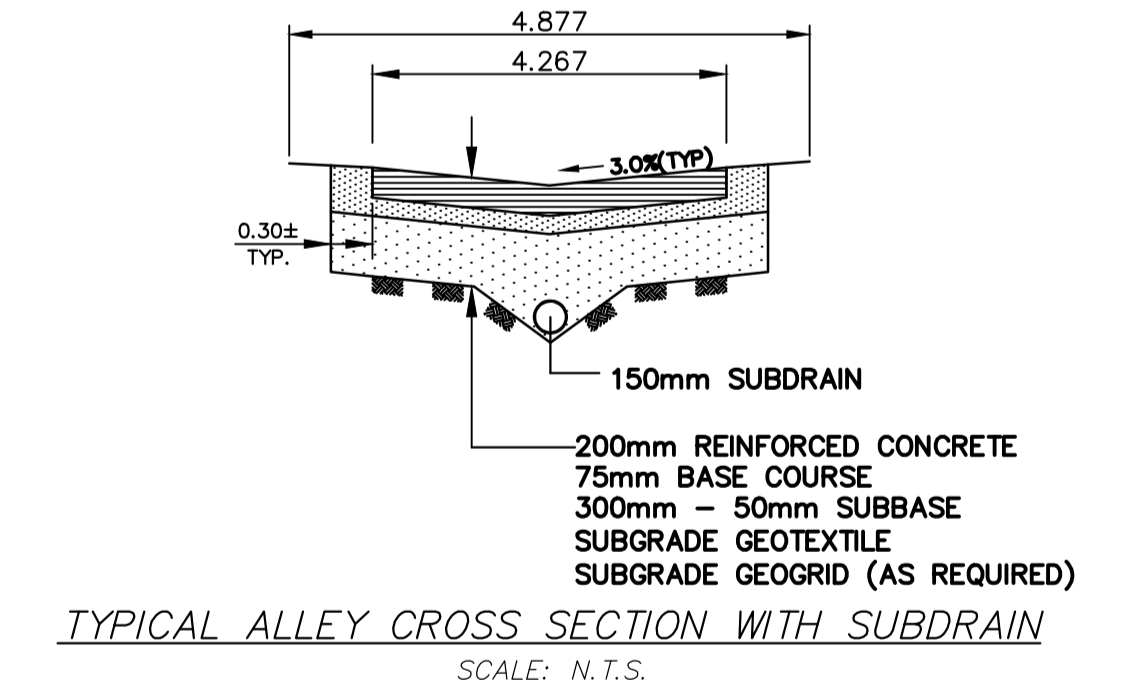
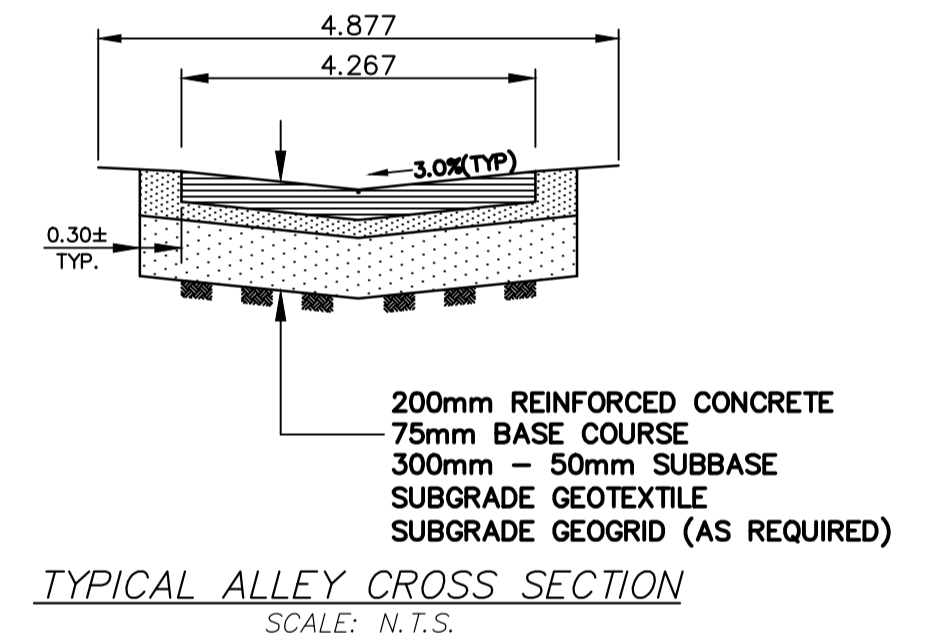


- NOTES:**
- ISOLATE EXISTING HYDRO POLES AS DIRECTED BY CONTRACT ADMINISTRATOR
  - RENEW EXISTING APPROACHES AND SIDEWALK AS DIRECTED BY CONTRACT ADMINISTRATOR
  - ADDITIONAL EXCAVATION AND INSTALLATION OF SUBGRADE GEOGRID TO BE DETERMINED BY CONTRACT ADMINISTRATOR
  - ADJUSTMENTS TO PROPOSED CROSSFALL, WHERE REQUIRED, ARE TO BE DETERMINED BY CONTRACT ADMINISTRATOR TO SUIT EXISTING DRIVEWAYS, APPROACHES, ETC.
  - LIGHT STANDARDS, HYDROPOLES, AND ANCHORS MAY REQUIRE SUPPORT AND/OR REMOVAL AND REPLACEMENT AT CONTRACTORS EXPENSE

NOTE: CHAINAGES SHOWN ARE ALONG CL OF PUBLIC RIGHT-OF-WAY



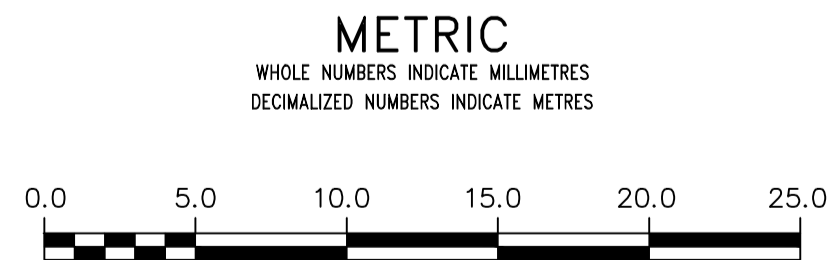
INSTALL NEW CATCH BASIN COMPLETE W/ MANHOLE FRAME AND GRATED COVER AS PER SD-025 AND CONNECT TO PROP 300 PVC LDS PIPE  
RIM ELEV 232.795  
S INV 230.900  
SUBDRAIN INV 231.895

FOR CONTINUATION SEE DWG 171-01396-00-19 MATCHLINE 3+30

ELLICE AVENUE

ERIN STREET

CLIFTON STREET

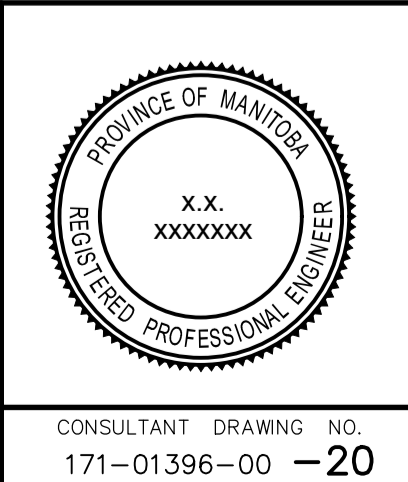


WATERMAIN	GAS	150 MM	WATERMAIN	150 MM	LOCATION APPROVED	B.M. ELEV.
HYDRANT	M.T.S.	M.T.S.	VALVE	VALVE	UNDERGROUND STRUCTURES	---
VALVE	TRAFFIC SIGNALS	300 LDS	LAND DRAINAGE SEWER	300 LDS		
CURB STOP	CONCRETE/ASPHALT	250 WWS	WASTE WATER SEWER	250 WWS		
LAND DRAINAGE SEWER	SIDEWALK		CENTERLINE			
WASTE WATER SEWER	CURB RAMP		SOUTH & EAST GUTTER			
CB LEAD	ELEVATIONS	(32.00)	NORTH & WEST GUTTER			
MANHOLE	PROPERTY LINE		S & E GARAGE PAD			
CATCH BASIN	SURVEY BAR		N & W GARAGE PAD			
CURB INLET						
HYDRO						
EXISTING	LEGEND - PLAN	PROPOSED	EXISTING	LEGEND - PLAN	PROPOSED	EXISTING
				LEGEND - PROFILE	PROPOSED	

NOTE: LOCATION OF UNDERGROUND STRUCTURES AS SHOWN ARE BASED ON THE BEST INFORMATION AVAILABLE BUT NO GUARANTEE IS GIVEN THAT ALL EXISTING UTILITIES ARE SHOWN OR THAT THE GIVEN LOCATIONS ARE EXACT. CONFIRMATION OF EXISTENCE AND EXACT LOCATION OF ALL SERVICES MUST BE OBTAINED FROM THE INDIVIDUAL UTILITIES BEFORE PROCEEDING WITH CONSTRUCTION.

DESIGNED BY	K.G.	CHECKED BY	R.H.
DRAWN BY	K.G.	APPROVED BY	S.M.
HOR. SCALE:	1:250	RELEASED FOR CONSTRUCTION	
VERT. SCALE:	1:25		
CONSULTANT DRAWING NO.	171-01396-00 -20		

111-83 Lombard Avenue  
Winnipeg, Manitoba  
R2B 3B1 Canada  
Phone: 204-943-3178  
Fax: 204-943-4948  
wsp.com



**THE CITY OF WINNIPEG**  
PUBLIC WORKS DEPARTMENT

2017 ALLEY RENEWALS - CONTRACT 2  
CLIFTON STREET/ERIN STREET ALLEY  
FROM MATCHLINE 3+30 TO ELLICE AVENUE  
CONCRETE PAVEMENT

CITY DRAWING NO. SHEET 3 OF 3  
BID OPPORTUNITY 380-2017

