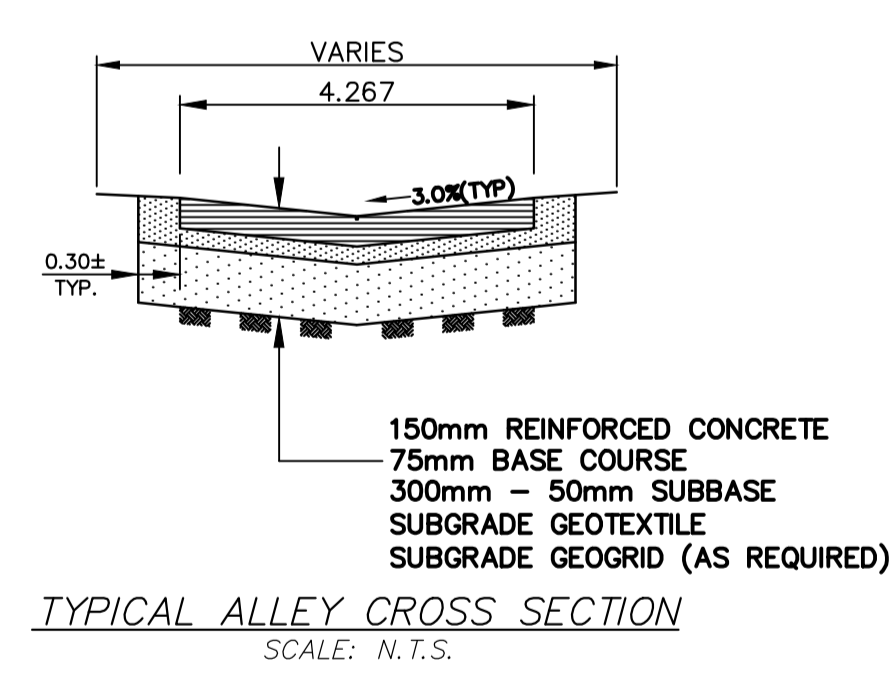
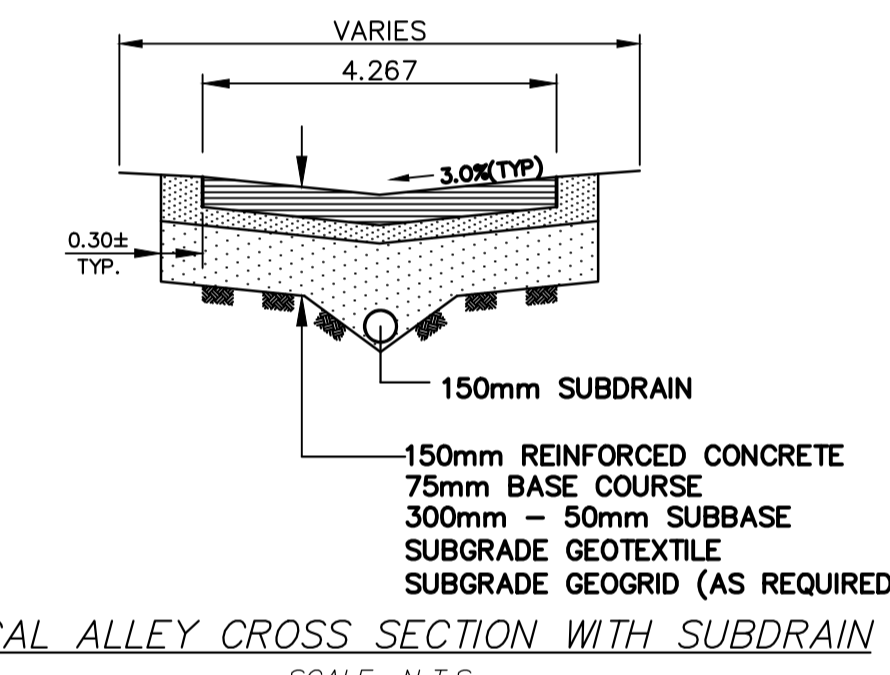
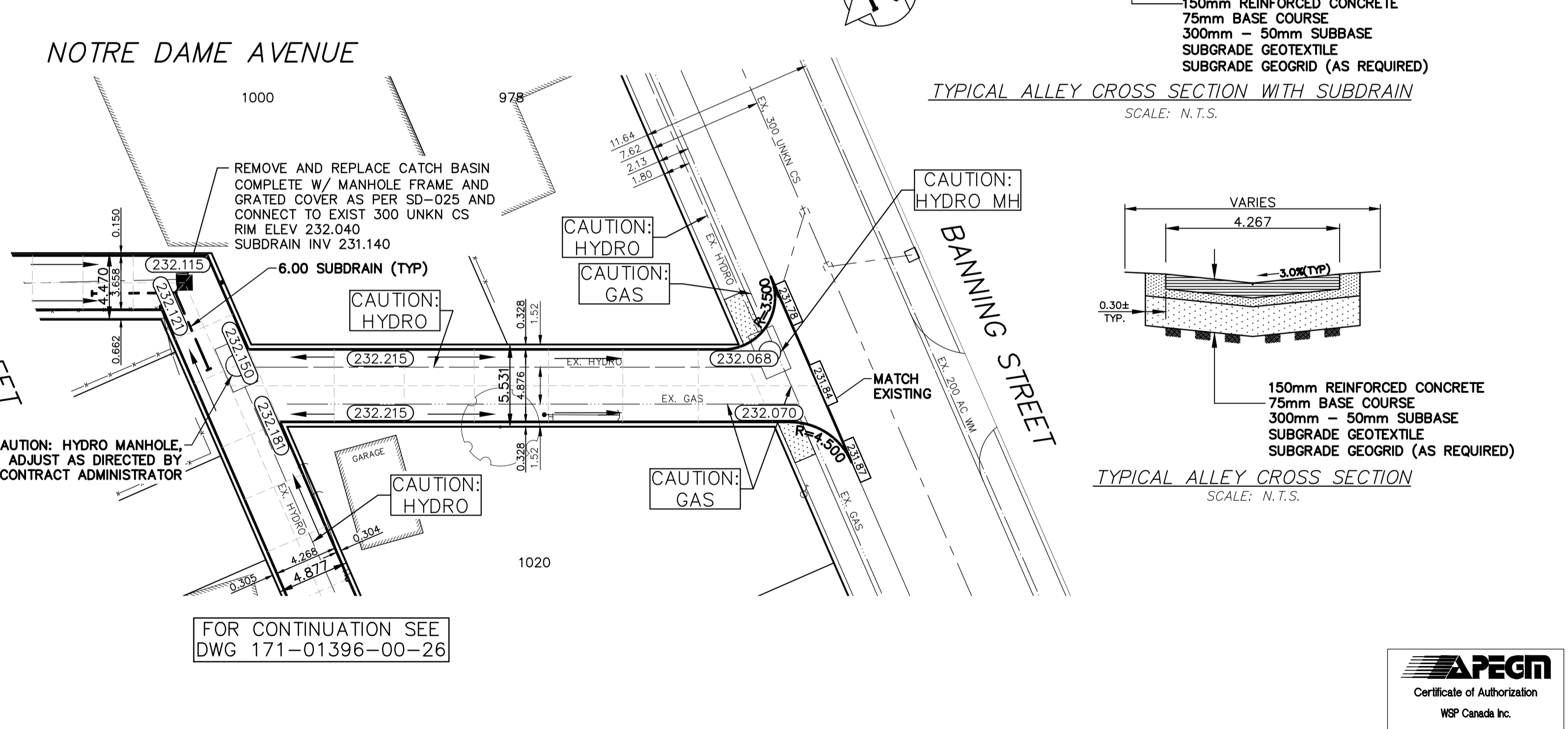
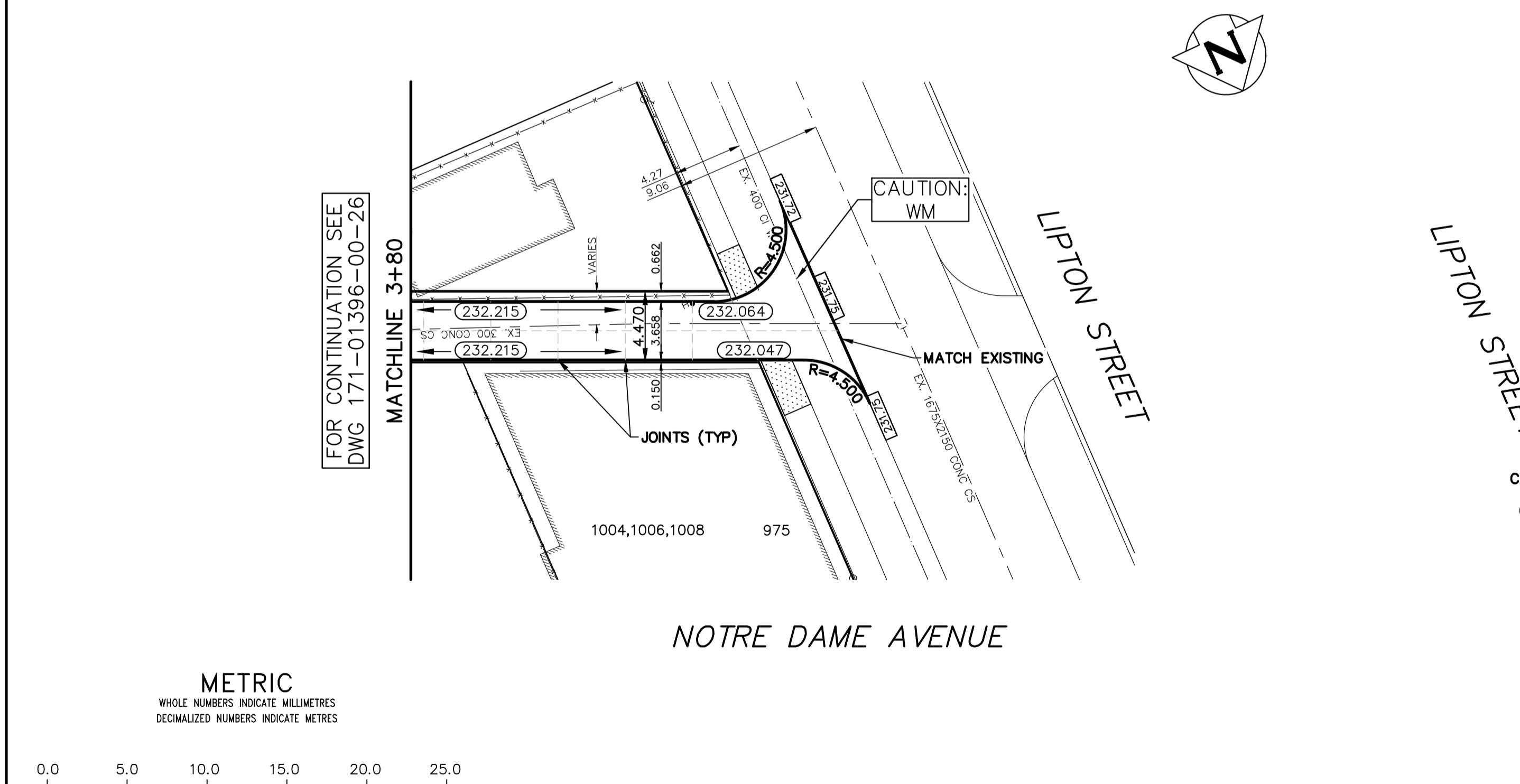


NOTES:

1. ISOLATE EXISTING HYDRO POLES AS DIRECTED BY CONTRACT ADMINISTRATOR
2. RENEW EXISTING APPROACHES AND SIDEWALK AS DIRECTED BY CONTRACT ADMINISTRATOR
3. ADDITIONAL EXCAVATION AND INSTALLATION OF SUBGRADE GEOGRID TO BE DETERMINED BY CONTRACT ADMINISTRATOR
4. ADJUSTMENTS TO PROPOSED CROSSFALL, WHERE REQUIRED, ARE TO BE DETERMINED BY CONTRACT ADMINISTRATOR TO SUIT EXISTING DRIVEWAYS, APPROACHES, ETC.
5. LIGHT STANDARDS, HYDROPOLES, AND ANCHORS MAY REQUIRE SUPPORT AND/OR REMOVAL AND REPLACEMENT AT CONTRACTORS EXPENSE

NOTE: CHAINAGES SHOWN ARE ALONG \varnothing OF PUBLIC RIGHT-OF-WAY



	WATERMAIN		GAS		150 MM M.T.S.		WATERMAIN VALVE		150 MM L.D.S.	LOCATION APPROVED UNDERGROUND STRUCTURES SUPV. U/G STRUCTURES DATE COMMITTEE NOTE: LOCATION OF UNDERGROUND STRUCTURES AS SHOWN ARE BASED ON THE BEST INFORMATION AVAILABLE BUT NO GUARANTEE IS GIVEN THAT ALL EXISTING UTILITIES ARE SHOWN OR THAT THE GIVEN LOCATIONS ARE EXACT. CONFIRMATION OF EXISTENCE AND EXACT LOCATION OF ALL SERVICES MUST BE OBTAINED FROM THE INDIVIDUAL UTILITIES BEFORE PROCEEDING WITH CONSTRUCTION.
	HYDRANT		M.T.S.		300 L.D.S.		LAND DRAINAGE SEWER VALVE		300 L.D.S.	
	VALVE		TRAFFIC SIGNALS		CONCRETE/ASPHALT		WASTE WATER SEWER		250 WWS	
	CURB STOP		SIDEWALK		CURB RAMP		CENTERLINE		SOUTH & EAST GUTTER	
	LAND DRAINAGE SEWER		ELEVATIONS (32.00)		NORTH & WEST GUTTER		S & E GARAGE PAD		N & W GARAGE PAD	
	WASTE WATER SEWER		PROPERTY LINE		SURVEY BAR		MANHOLE		CATCH BASIN	
	CB LEAD		CURB INLET		HYDRO		EXISTING		PROPOSED	
	MANHOLE		EXISTING		PROPOSED		EXISTING		PROPOSED	
	CATCH BASIN		EXISTING		PROPOSED		EXISTING		PROPOSED	
	CURB INLET		EXISTING		PROPOSED		EXISTING		PROPOSED	
	HYDRO		EXISTING		PROPOSED		EXISTING		PROPOSED	
	EXISTING		PROPOSED		EXISTING		PROPOSED		EXISTING	

DESIGNED BY	K.G.	CHECKED BY	R.H.
DRAWN BY	K.G.	APPROVED BY	S.M.
HOR. SCALE:	1:250	RELEASED FOR CONSTRUCTION	
VERT. SCALE:	1:25		

111-93 Lombard Avenue
Winnipeg, Manitoba
R3B 3B1 Canada
Phone: 204-943-3178
Fax: 204-943-4948
wsp.com

**THE CITY OF WINNIPEG
PUBLIC WORKS DEPARTMENT**

2017 ALLEY RENEWALS – CONTRACT 2
NOTRE DAME AVENUE ALLEY
FROM LIPTON STREET TO BANNING STREET
CONCRETE PAVEMENT

CITY DRAWING NO.
SHEET 3 OF 3
BID OPPORTUNITY
380-2017