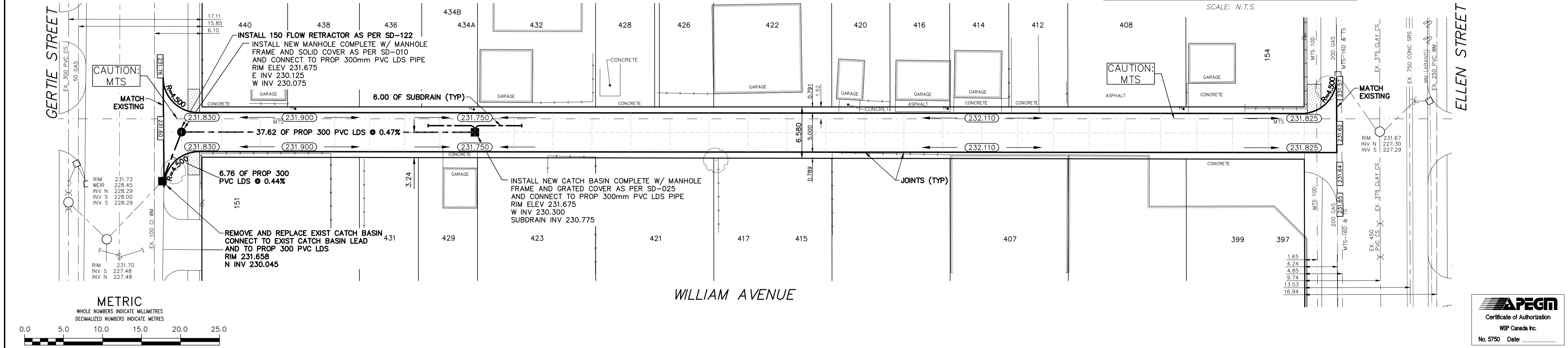
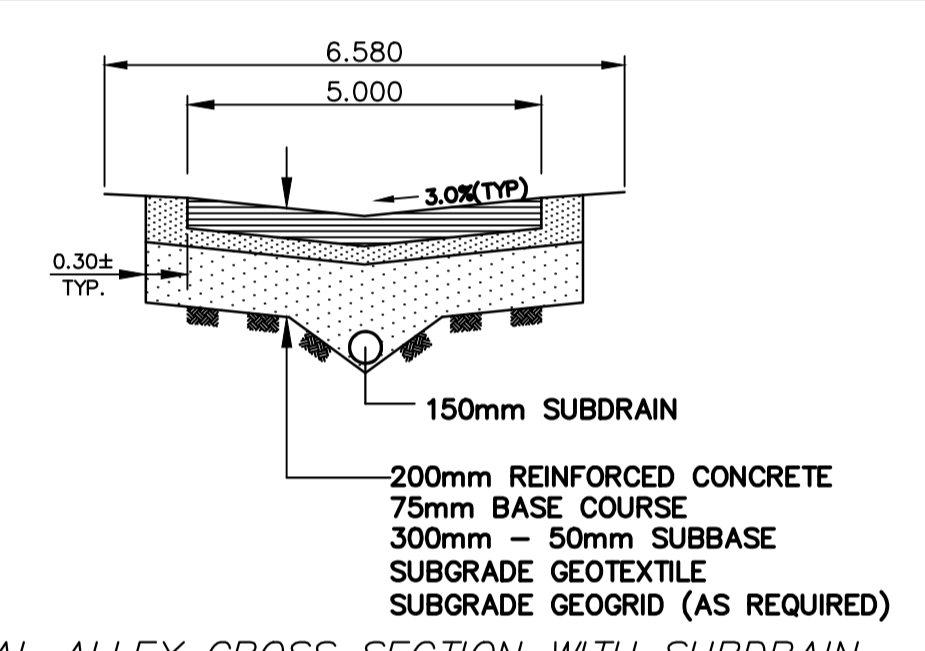
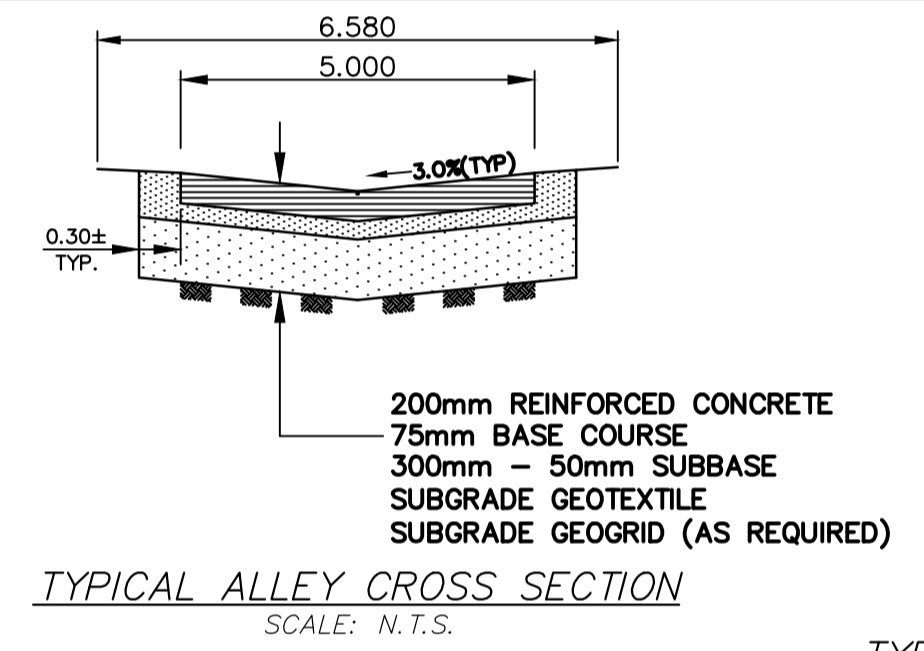


- NOTES:**
- ISOLATE EXISTING HYDRO POLES AS DIRECTED BY CONTRACT ADMINISTRATOR
 - RENEW EXISTING APPROACHES AND SIDEWALK AS DIRECTED BY CONTRACT ADMINISTRATOR
 - ADDITIONAL EXCAVATION AND INSTALLATION OF SUBGRADE GEOGRID TO BE DETERMINED BY CONTRACT ADMINISTRATOR
 - ADJUSTMENTS TO PROPOSED CROSSFALL, WHERE REQUIRED, ARE TO BE DETERMINED BY CONTRACT ADMINISTRATOR TO SUIT EXISTING DRIVEWAYS, APPROACHES, ETC.
 - LIGHT STANDARDS, HYDROPOLES, AND ANCHORS MAY REQUIRE SUPPORT AND/OR REMOVAL AND REPLACEMENT AT CONTRACTORS EXPENSE

NOTE: CHAINAGES SHOWN ARE ALONG \mathcal{C} OF PUBLIC RIGHT-OF-WAY



EXISTING	LEGEND - PLAN	PROPOSED	EXISTING	LEGEND - PLAN	PROPOSED	EXISTING	LEGEND - PROFILE	PROPOSED
	WATERMAIN			GAS M.T.S.			WATERMAIN VALVE	
	HYDRANT			TRAFFIC SIGNALS			LAND DRAINAGE SEWER	
	VALVE			CONCRETE/ASPHALT			WASTE WATER SEWER	
	CURB STOP			SIDEWALK			SOUTH & EAST GUTTER	
	LAND DRAINAGE SEWER			CURB RAMP			S & E GARAGE PAD	
	WASTE WATER SEWER			ELEVATIONS (32.00)			N & W GARAGE PAD	
	CB LEAD			SURVEY BAR				
	MANHOLE							
	CATCH BASIN							
	CURB INLET							
	HYDRO							

LOCATION APPROVED UNDERGROUND STRUCTURES

SUPV. U/G STRUCTURES DATE COMMITTEE

NOTE: LOCATION OF UNDERGROUND STRUCTURES AS SHOWN ARE BASED ON THE BEST INFORMATION AVAILABLE BUT NO GUARANTEE IS GIVEN THAT ALL EXISTING UTILITIES ARE SHOWN OR THAT THE GIVEN LOCATIONS ARE EXACT. CONFIRMATION OF EXISTENCE AND EXACT LOCATION OF ALL SERVICES MUST BE OBTAINED FROM THE INDIVIDUAL UTILITIES BEFORE PROCEEDING WITH CONSTRUCTION.

B.M. ELEV.	DESIGNED BY	CHECKED BY
---	D.R.	R.H.
---	D.R.	S.M.
2	ISSUED FOR TENDER	7/06/05 R.H.
1	PRELIMINARY DESIGN	7/04/03 K.G.

111-93 Lombard Avenue
Winnipeg, Manitoba
R3B 3B1 Canada
Phone: 204-943-3178
Fax: 204-943-4948
wsp.com

DESIGNED BY: D.R. CHECKED BY: R.H.
DRAWN BY: D.R. APPROVED BY: S.M.
HOR. SCALE: 1:250
VERT. SCALE: 1:25

CONSULTANT DRAWING NO. 171-01396-00 -31

THE CITY OF WINNIPEG
PUBLIC WORKS DEPARTMENT

2017 ALLEY RENEWALS - CONTRACT 2
WILLIAM AVENUE/ELGIN AVENUE ALLEY
FROM GERTIE STREET TO ELLEN STREET

CITY DRAWING NO. SHEET 1 OF 1
BID OPPORTUNITY 380-2017