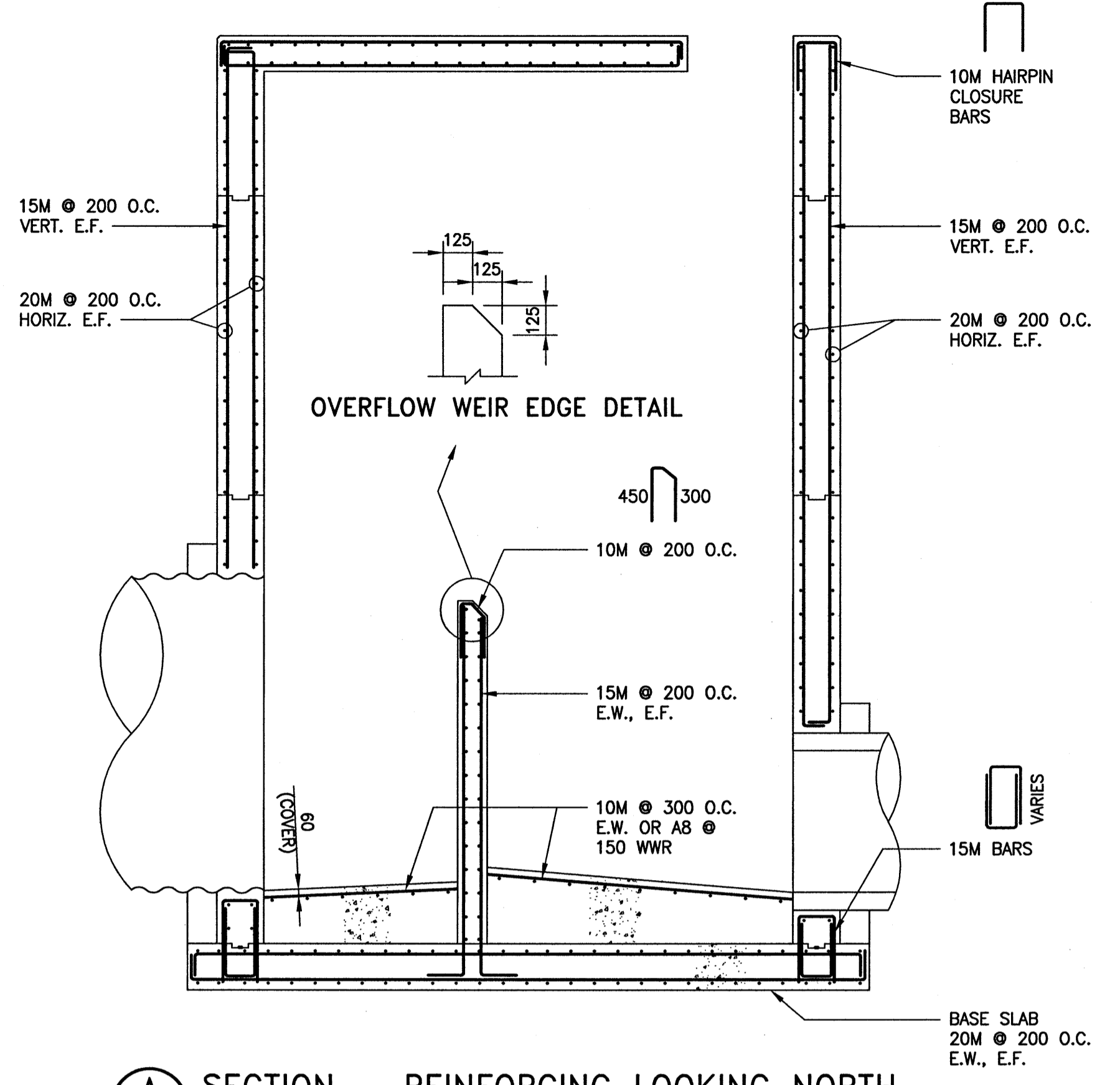


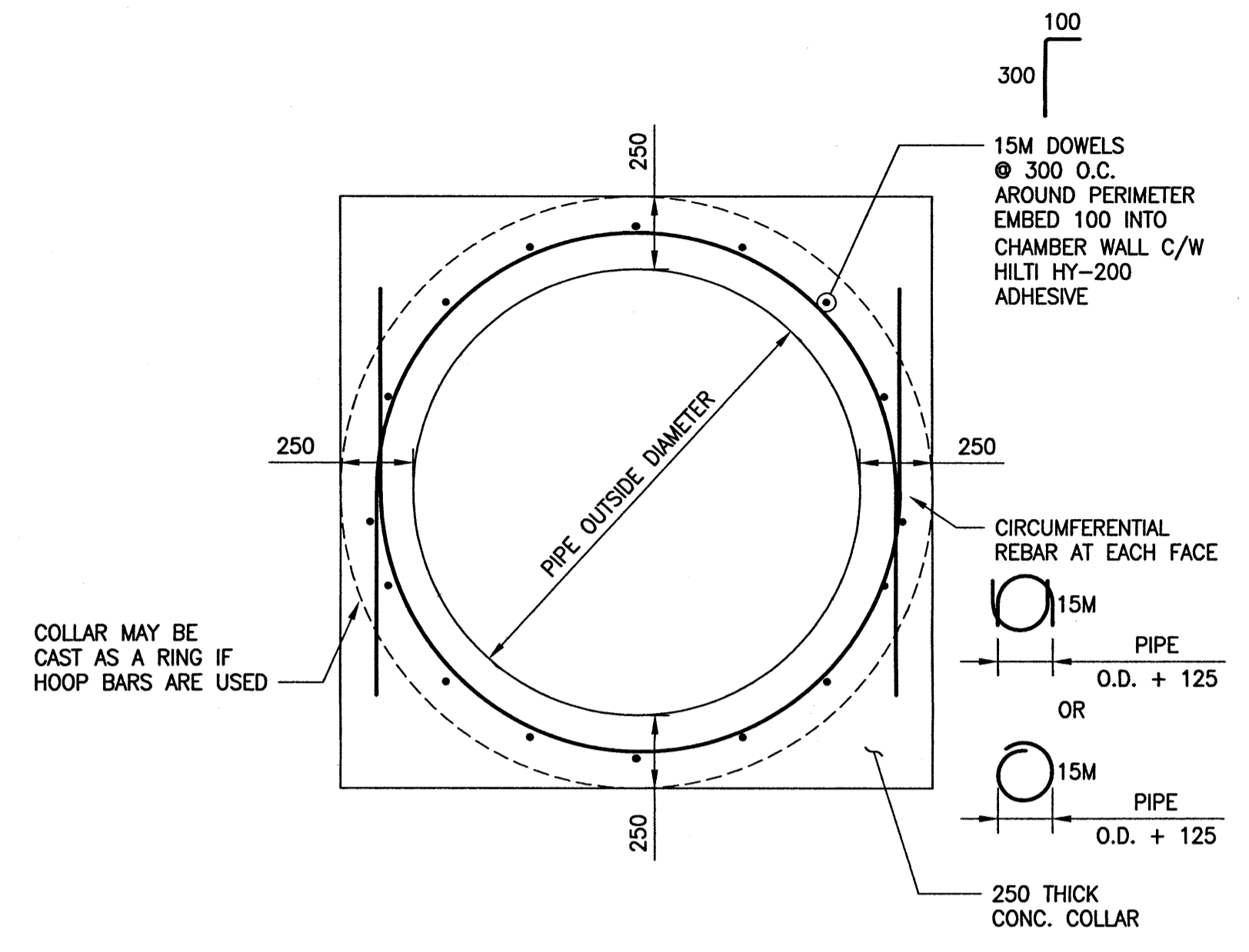
PLAN - FLOOR SLAB REINFORCEMENT
SCALE: 1:40

NOTE:
ALL SLAB REINFORCEMENT TO HAVE 200mm LEGS AT EACH END U.N.O.

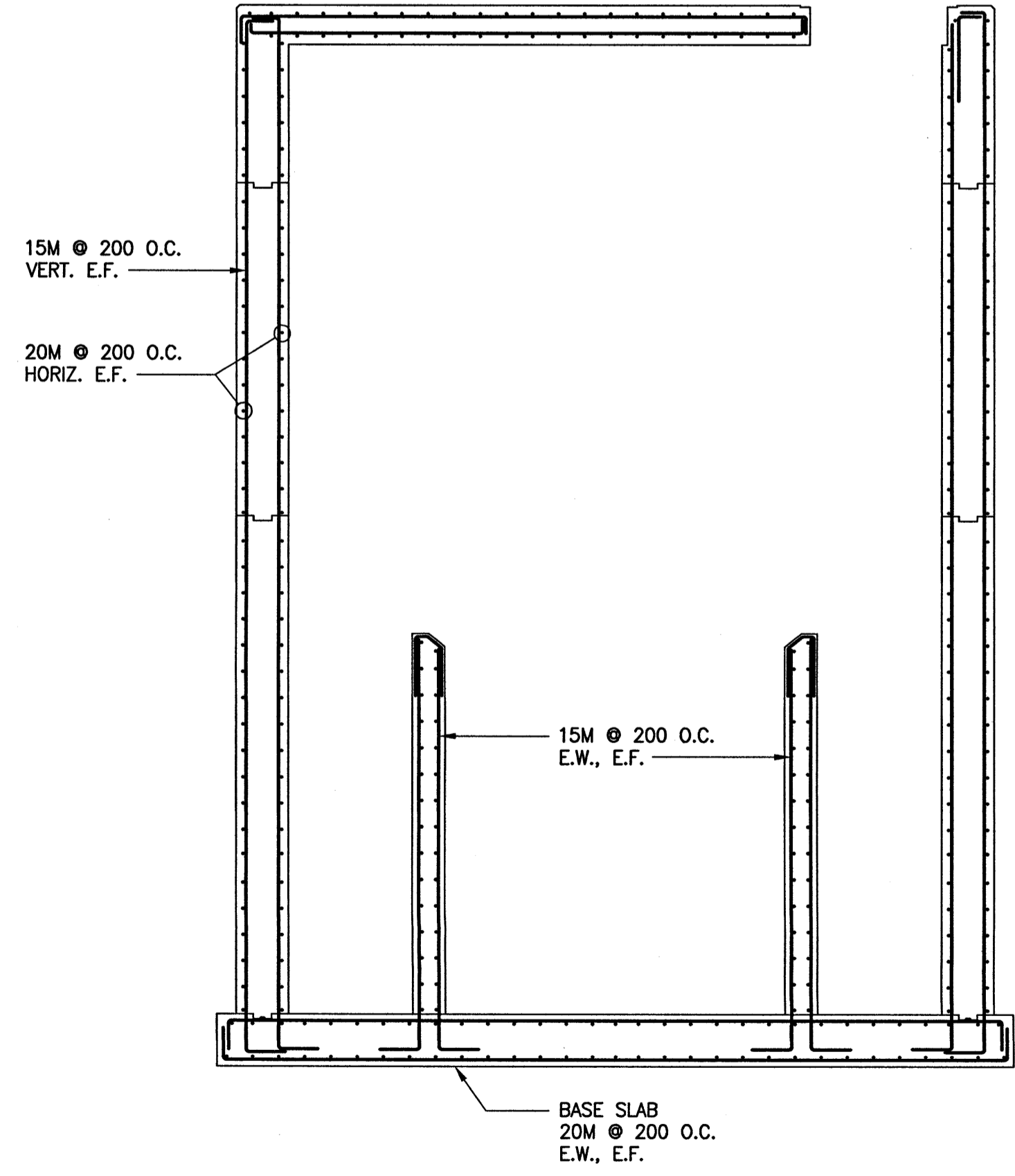
NOTE:
NOT SHOWING EMBEDDED FRAMES FOR CLARITY.



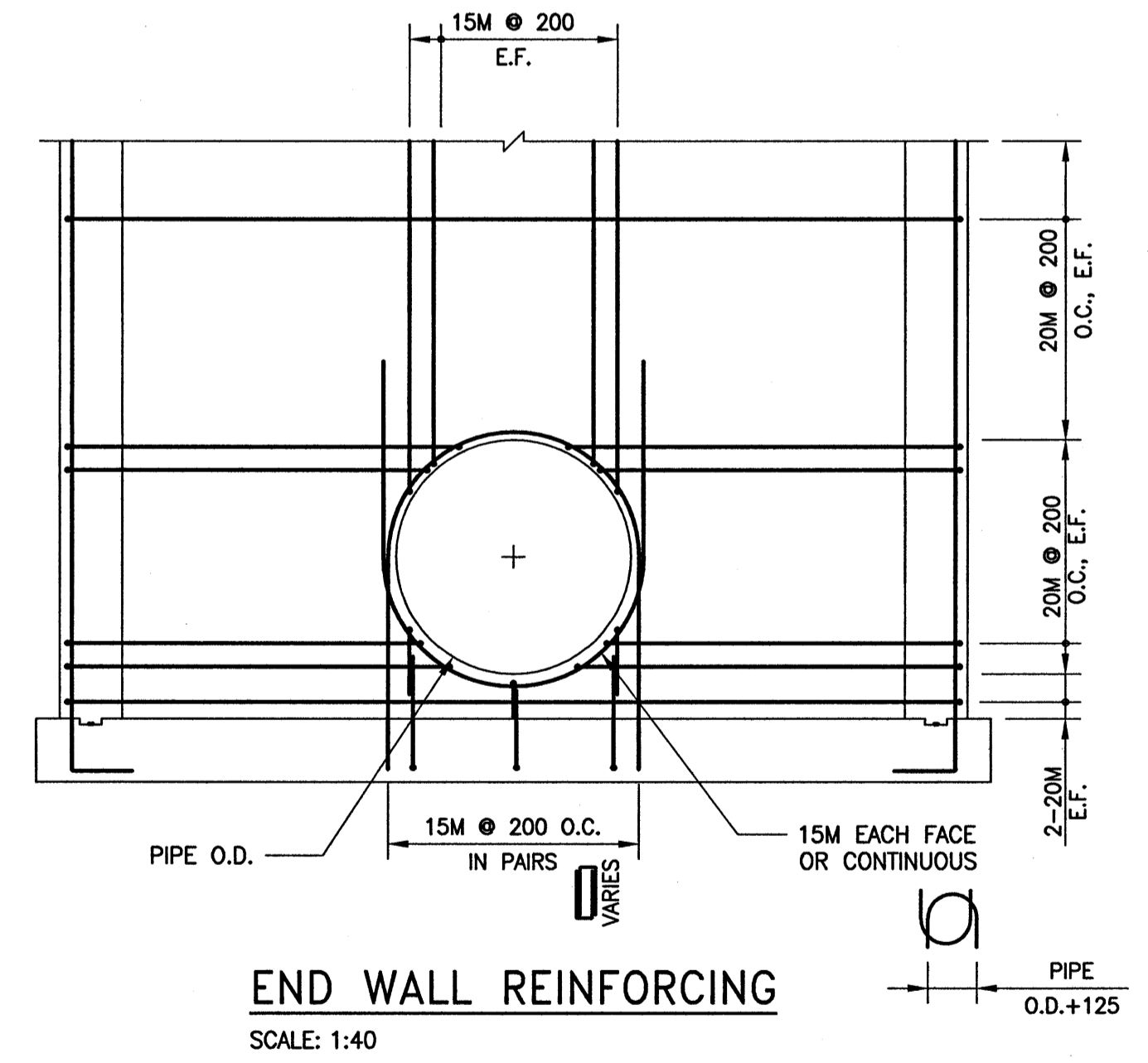
SECTION - REINFORCING LOOKING NORTH
SCALE: 1:40



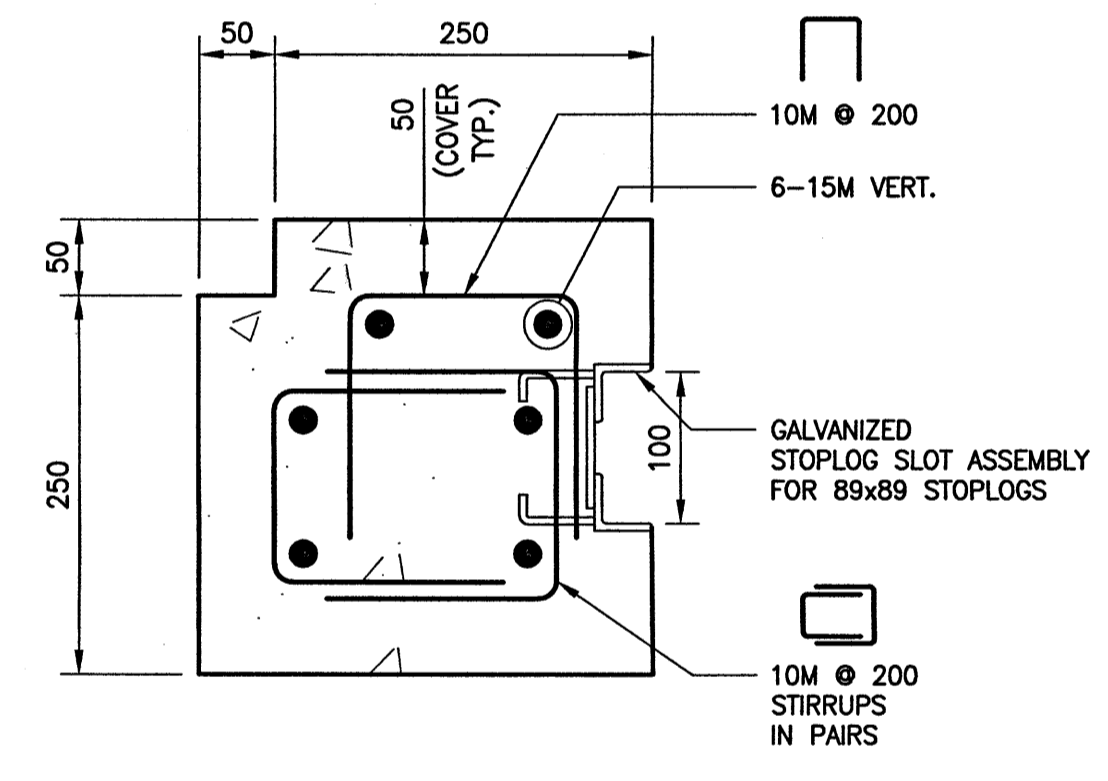
TYPICAL CONCRETE COLLAR DETAIL
SCALE: 1:20



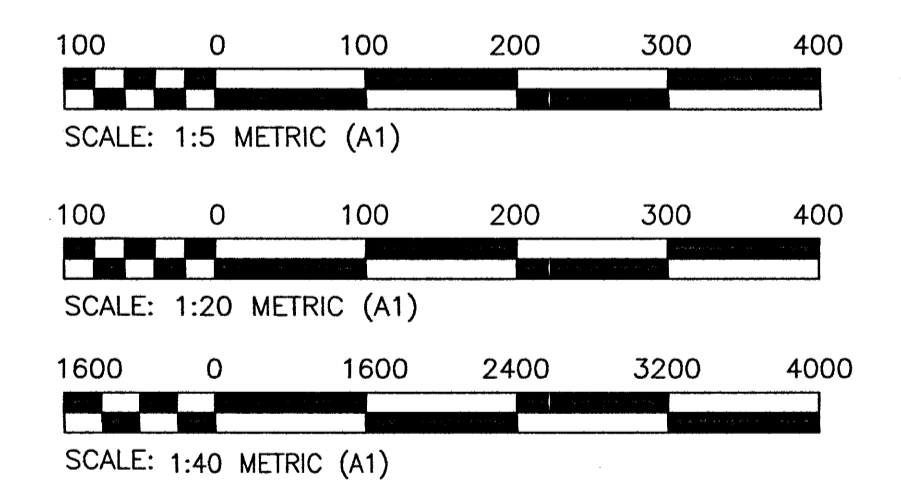
SECTION B
SCALE: 1:40



END WALL REINFORCING
SCALE: 1:40

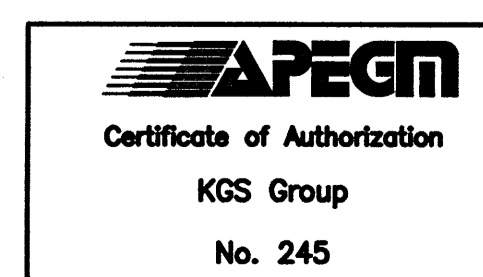


CONCRETE CORNER BAFFLE DETAIL
SCALE: 1:5



METRIC
DECIMALIZED NUMBERS INDICATE METRES
WHOLE NUMBERS INDICATE MILLIMETRES

File Name: F:\Projects\2011\11-010-18\Dec.Control\Released\DWG\11-010-18_LD-8228.dwg - Job: XX-XXXX Plotted by: dderoché 01/12/2017 [Wed 4:27pm]



LOCATION APPROVED UNDERGROUND STRUCTURES		B.M. KGS BASE ELEV. -	DWGS BASED ON C.S.R.S. NAD 83 SYSTEM, UTM GRID
SUPV. U/G STRUCTURES COMMITTEE	DATE		
NOTE: LOCATION OF UNDERGROUND STRUCTURES AS SHOWN ARE BASED ON THE BEST INFORMATION AVAILABLE BUT NO GUARANTEE IS GIVEN THAT ALL EXISTING UTILITIES ARE SHOWN OR THAT THE GIVEN LOCATIONS ARE EXACT. CONTRIBUTION OF EXISTENCE AND EXACT LOCATION OF ALL SERVICES MUST BE OBTAINED FROM THE INDIVIDUAL UTILITIES BEFORE PROCEEDING WITH CONSTRUCTION.			
NO.	ISSUED FOR CONSTRUCTION	DATE	BY
0	ISSUED FOR CONSTRUCTION	17/07/13	K4D
NO.	REVISIONS	DATE	BY
		16/06/29	

		DESIGNED BY	KRD	CHECKED BY	CMS
		DRAWN BY	FBV	APPROVED BY	R30
SCALE:		AS NOTED			
NO.		ISSUED FOR CONSTRUCTION	DATE	BY	DATE
0		ISSUED FOR CONSTRUCTION	17/07/13	K4D	16/06/29

ENGINEER'S SEAL

 CONSULTANT DRAWING NO. 11-0107-18_S304

THE CITY OF WINNIPEG
 WATER AND WASTE DEPARTMENT
 PROJECT TITLE
COCKBURN/CALROSSIE COMBINED SEWER RELIEF WORKS
STORMWATER RETENTION BASIN
INLET CONTROL CHAMBER
CONCRETE REINFORCING
PLANS, SECTIONS AND DETAILS

SHEET	OF
1	1
COMPUTER FILE NAME	
11-0107-18_S304	
CITY DRAWING NUMBER	
LD-8228	