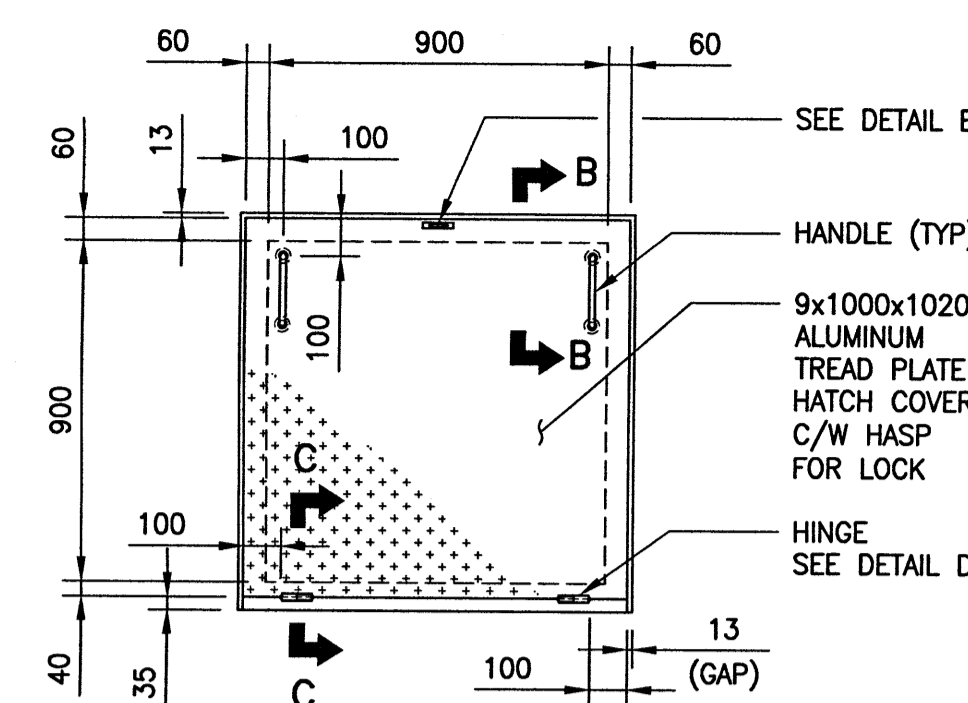
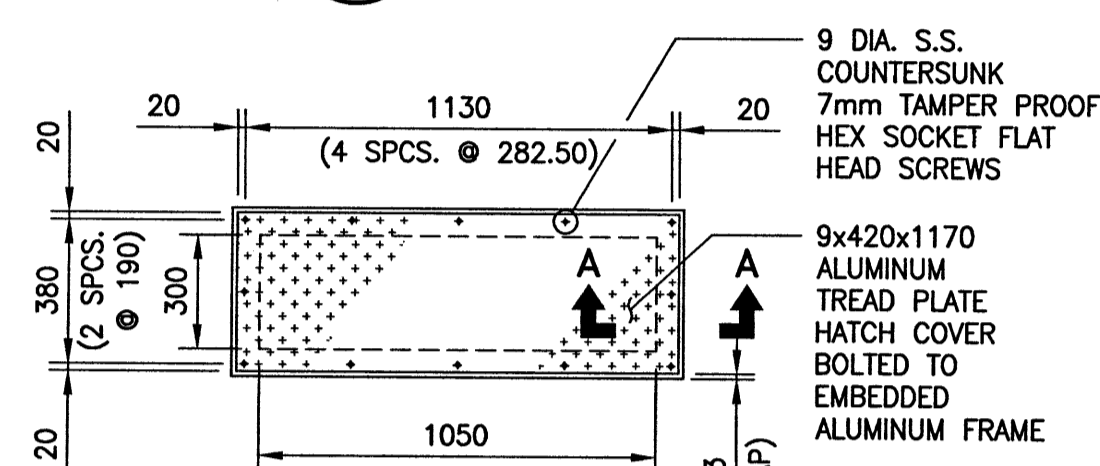


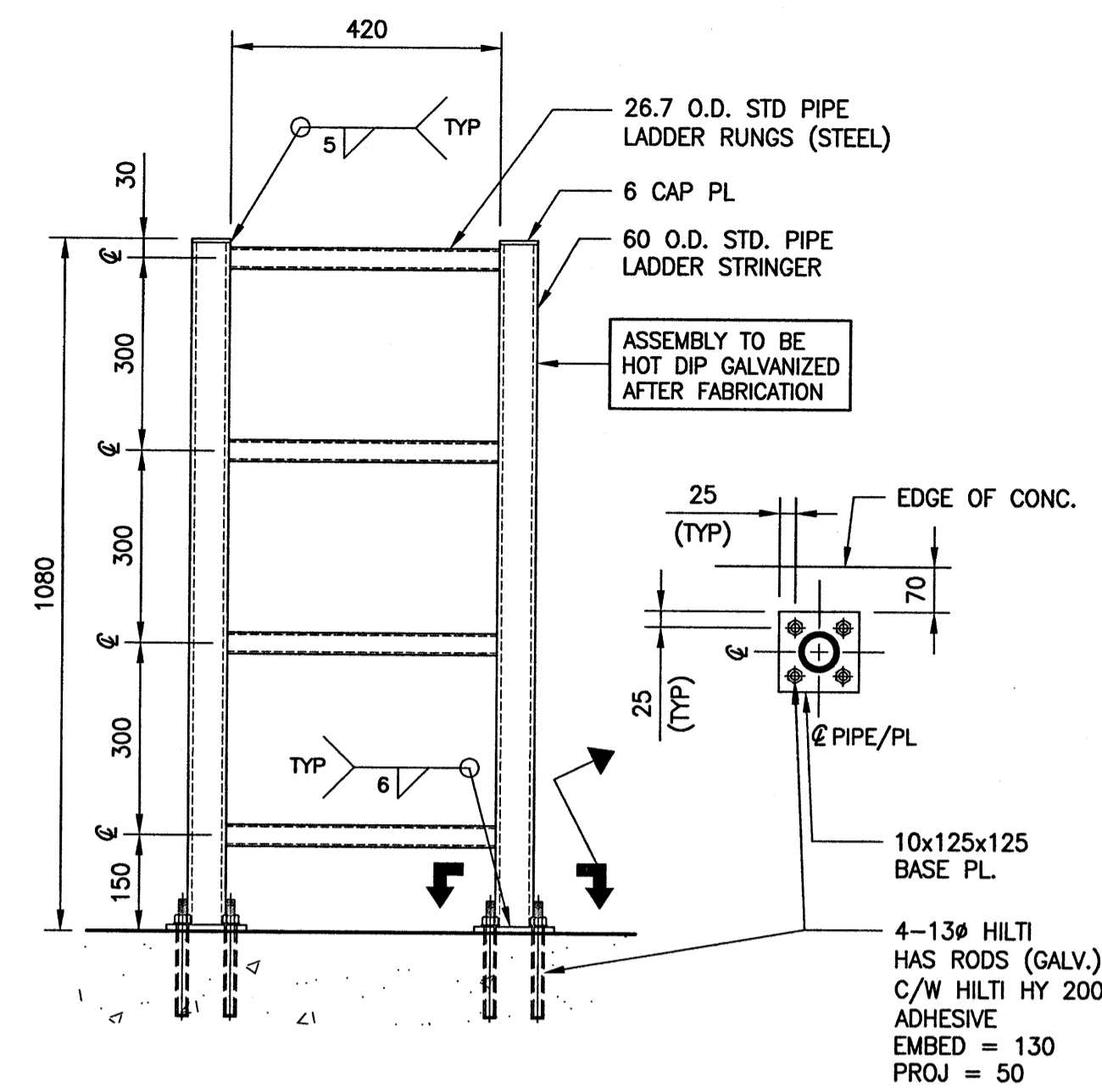
1 DETAIL
S301 SCALE: 1:20



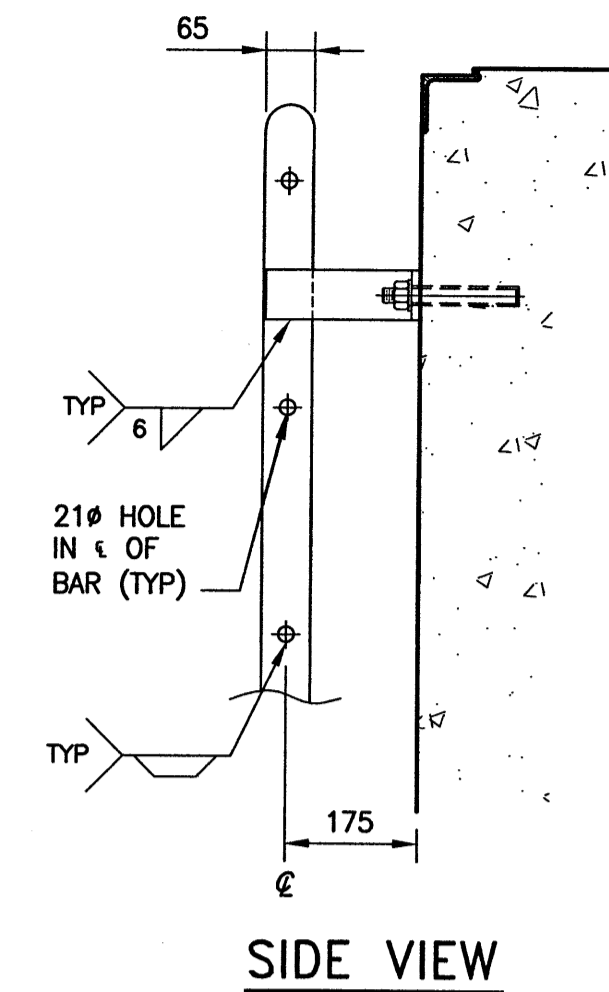
2 DETAIL
S301 SCALE: 1:20



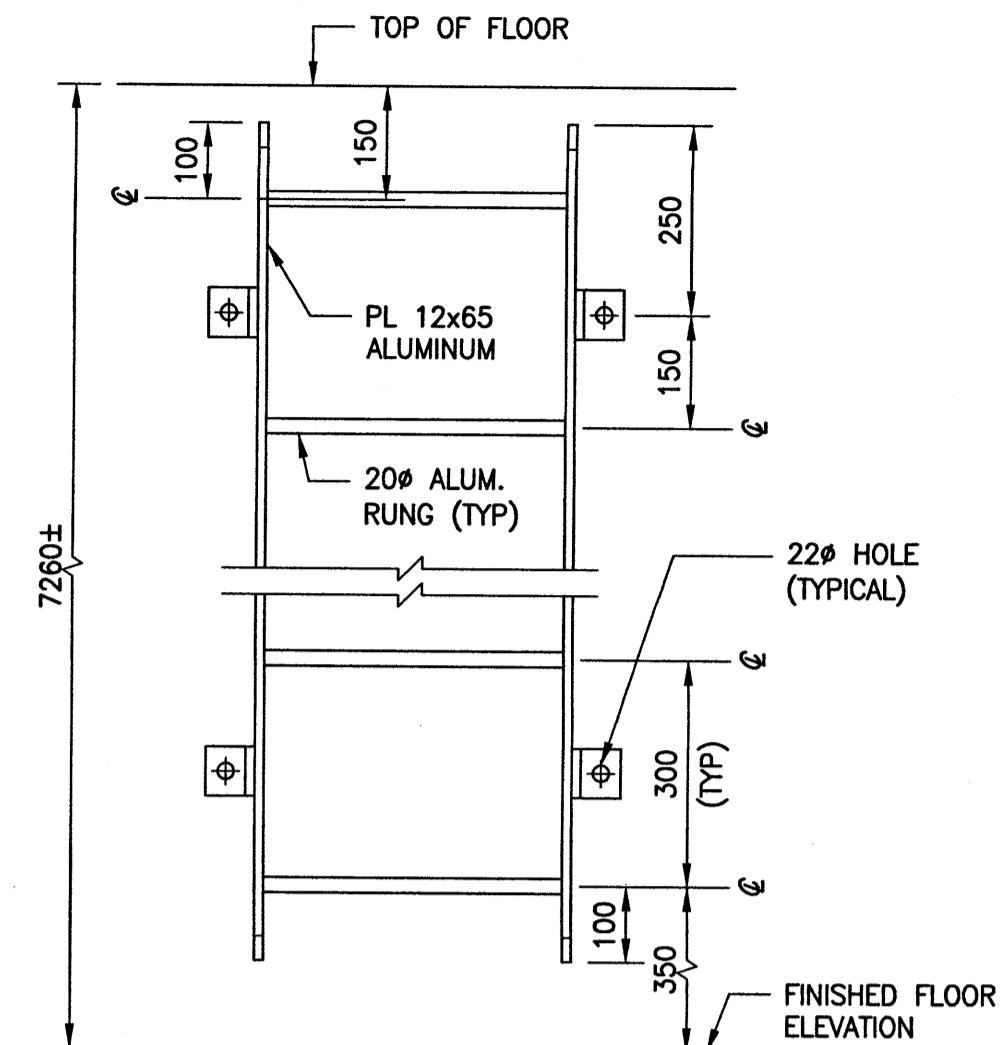
3 DETAIL
S301 SCALE: 1:20



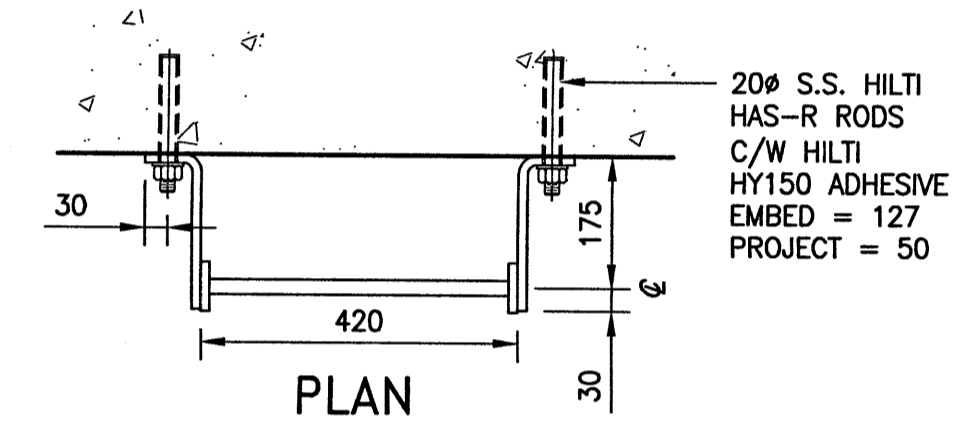
DETAIL - LADDER EXTENSION
SCALE: 1:10 (1 REQ'D.)



SIDE VIEW

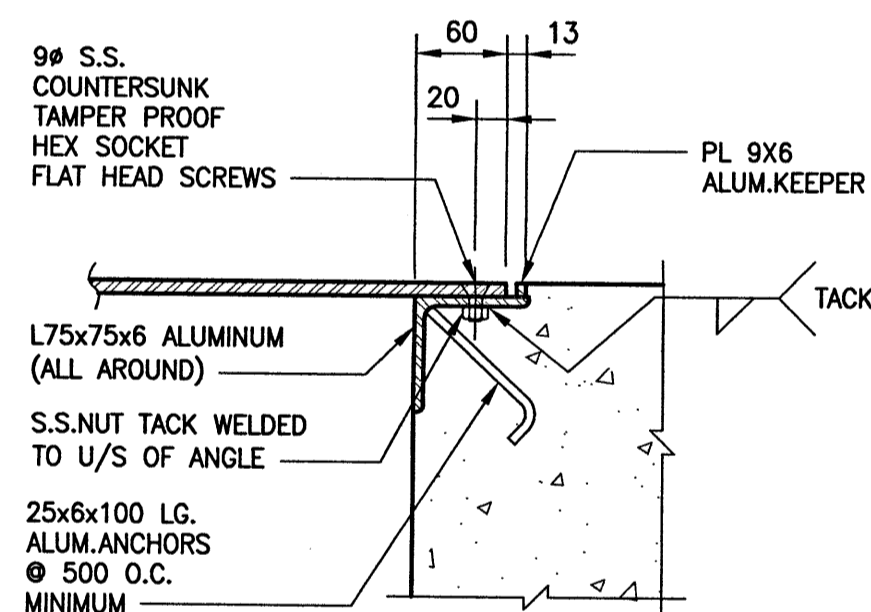


ELEVATION

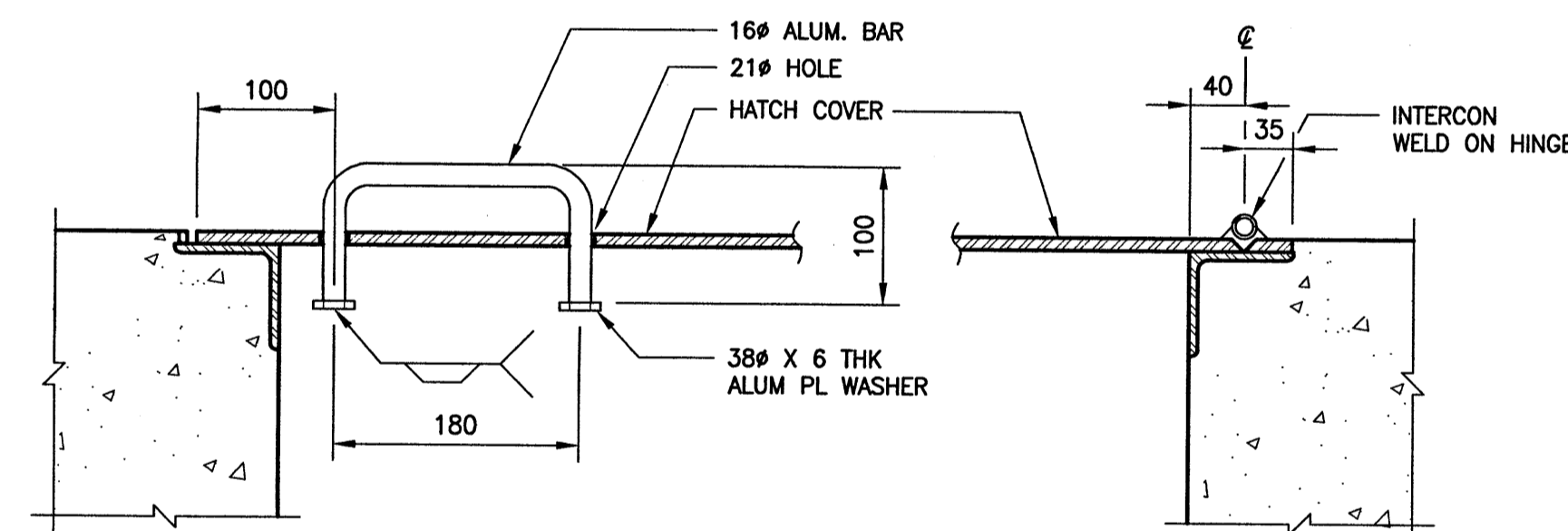


PLAN

DETAIL - LADDER
SCALE: 1:10

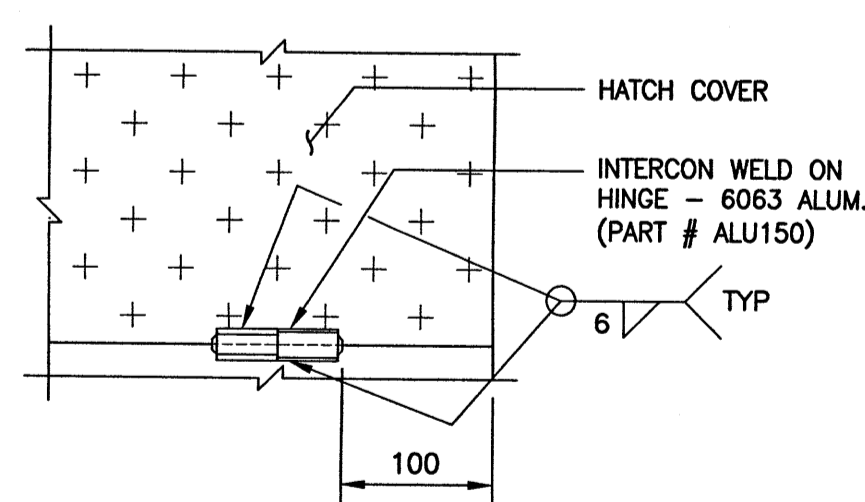


SECTION A-A
SCALE: 1:5

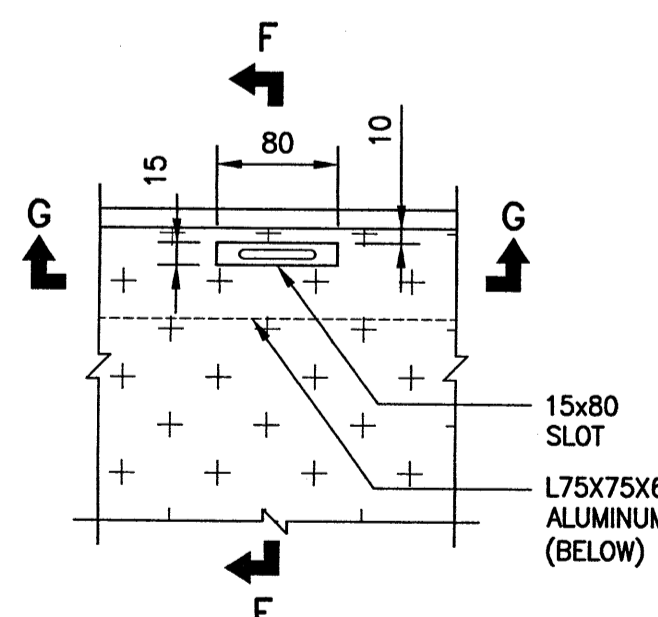


SECTION B-B
SCALE: 1:5

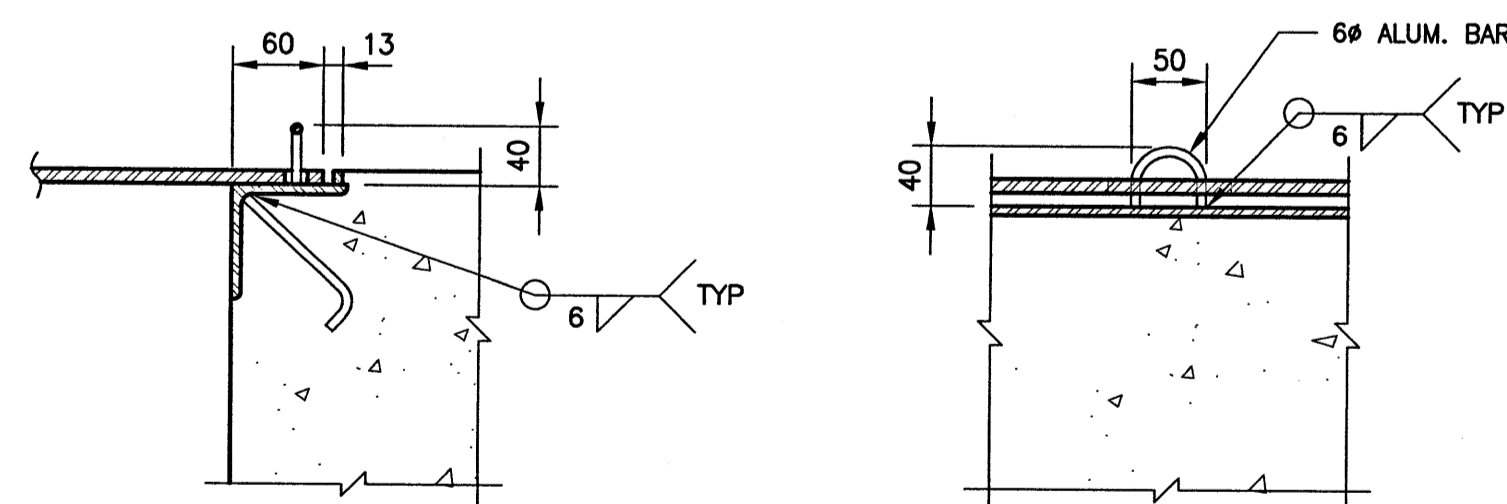
SECTION C-C
SCALE: 1:5



DETAIL D
SCALE: 1:5

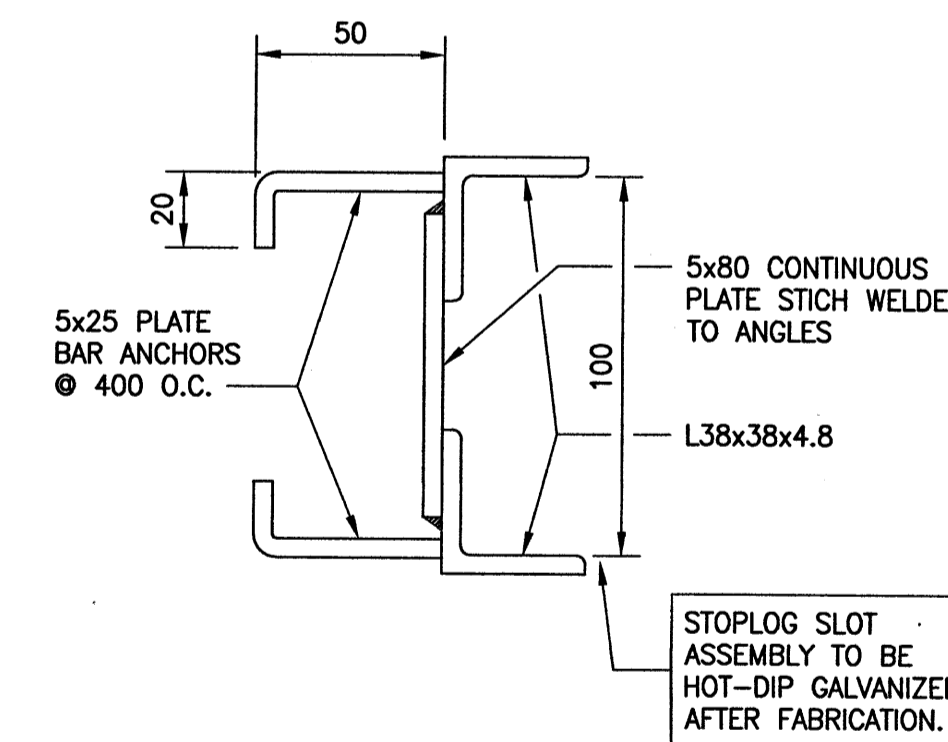


DETAIL E
SCALE: 1:5

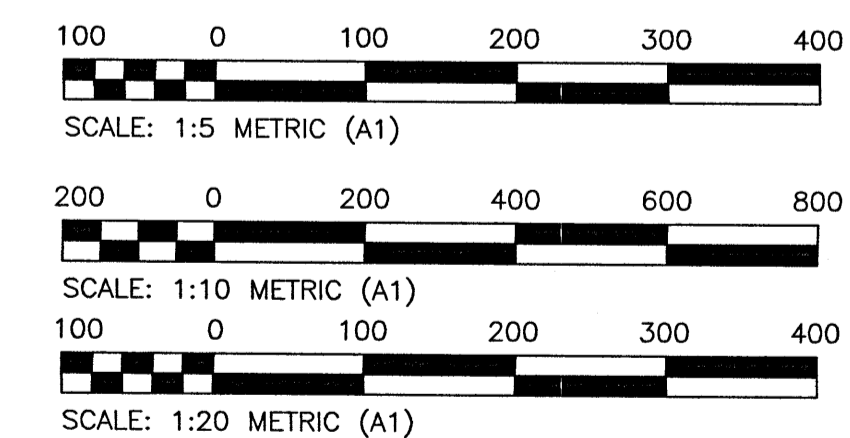


SECTION F-F
SCALE: 1:5

SECTION G-G
SCALE: 1:5

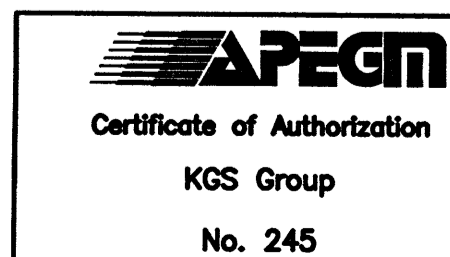


DETAIL - STOP LOG SLOT
SCALE: 1:2 (2 REQ'D.)



METRIC
DECIMALIZED NUMBERS INDICATE METRES
WHOLE NUMBERS INDICATE MILLIMETRES

File Name: P:\Projects\2011\11-010-18\Ubc.Control\obesued\DWG\11-010-18_LD-8230.dwg - Tab: XX-XXXX Plotted By: dderoché 0/12/2017 [Wed 4:24pm]



LOCATION APPROVED
UNDERGROUND STRUCTURES

SUPV. U/G STRUCTURES DATE COMMITTEE

NOTE:
LOCATION OF UNDERGROUND STRUCTURES AS SHOWN ARE BASED ON THE BEST INFORMATION AVAILABLE BUT NO GUARANTEE IS GIVEN THAT ALL EXISTING UTILITIES ARE SHOWN OR THAT THE GIVEN LOCATIONS ARE EXACT. CONFIRMATION OF EXISTENCE AND EXACT LOCATION OF ALL SERVICES MUST BE OBTAINED FROM THE INDIVIDUAL UTILITIES BEFORE PROCEEDING WITH CONSTRUCTION.

| | |
|----------------------------|--|
| B.M. KGS BASE ELEV. - | DWGS BASED ON C.S.R.S. NAD 83 SYSTEM, UTM GRID |
| DESIGNED BY | KRD |
| CHECKED BY | CMS |
| DRAWN BY | FBV |
| APPROVED BY | RSD |
| SCALE: | AS NOTED |
| RELEASED FOR CONSTRUCTION: | |
| NO. REVISIONS | DATE BY |
| 0 | ISSUED FOR CONSTRUCTION 17/07/13 KRD |
| | DATE 16/06/29 |

KGS GROUP
CONSULTING ENGINEERS

ENGINEER'S SEAL
C.M. SIEPMAN
Member 20813

CONSULTANT DRAWING NO.
11-0107-18_S306

THE CITY OF WINNIPEG
WATER AND WASTE DEPARTMENT

PROJECT TITLE
COCKBURN/CALROSSIE COMBINED SEWER RELIEF WORKS
STORMWATER RETENTION BASIN
INLET CONTROL CHAMBER
MISCELLANEOUS METALS
DETAILS

| | |
|---------------------|-----------------|
| SHEET | OF |
| 1 | 1 |
| COMPUTER FILE NAME | 11-0107-18_S306 |
| CITY DRAWING NUMBER | LD-8230 |