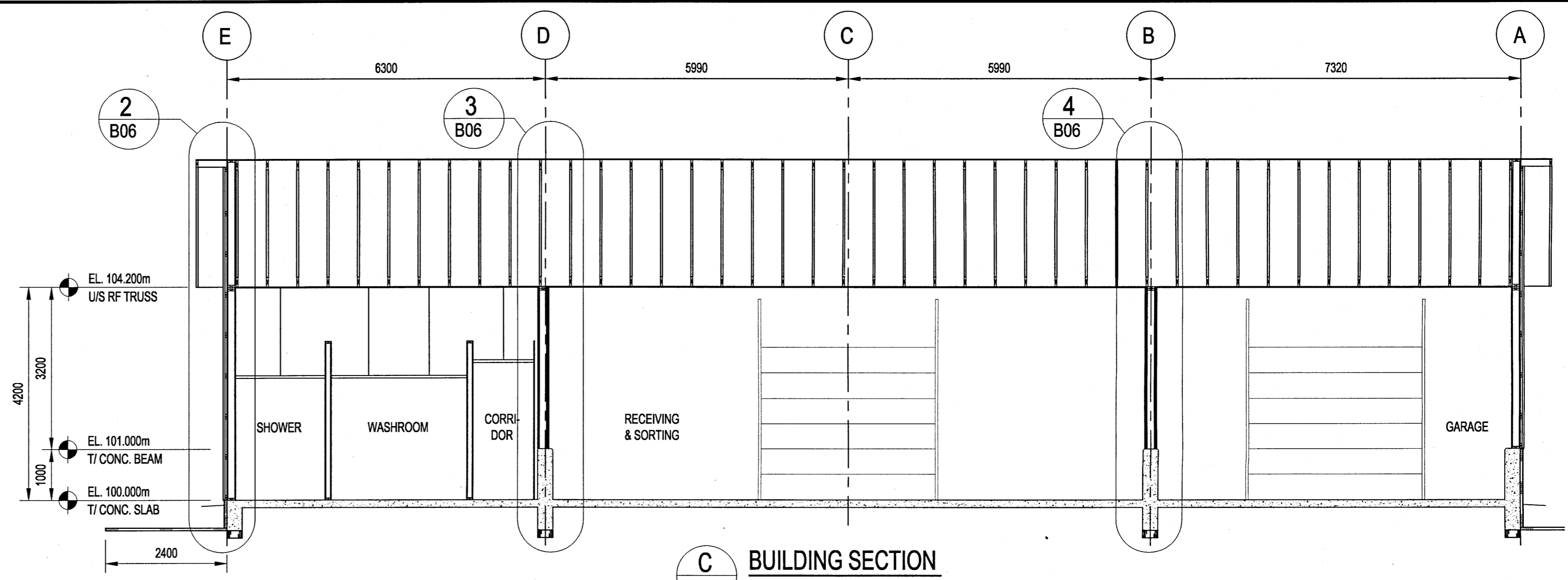
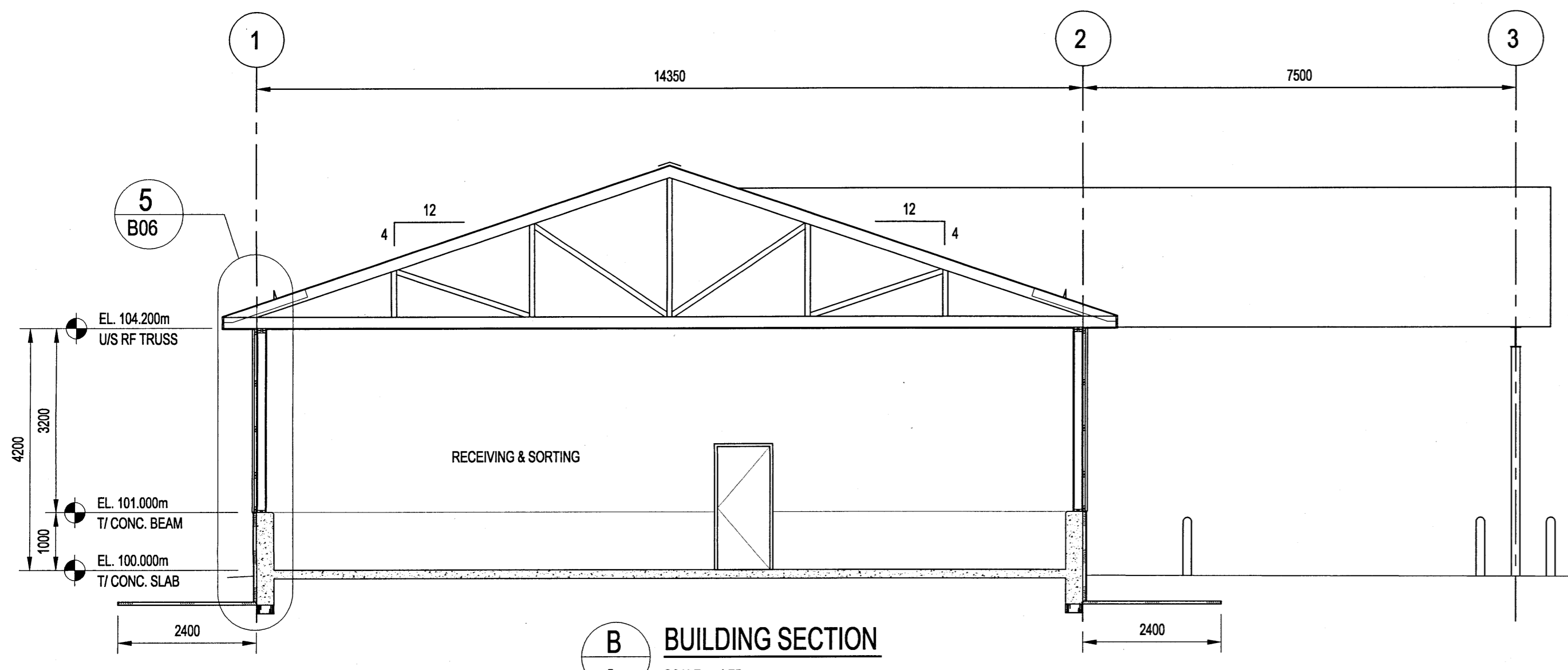


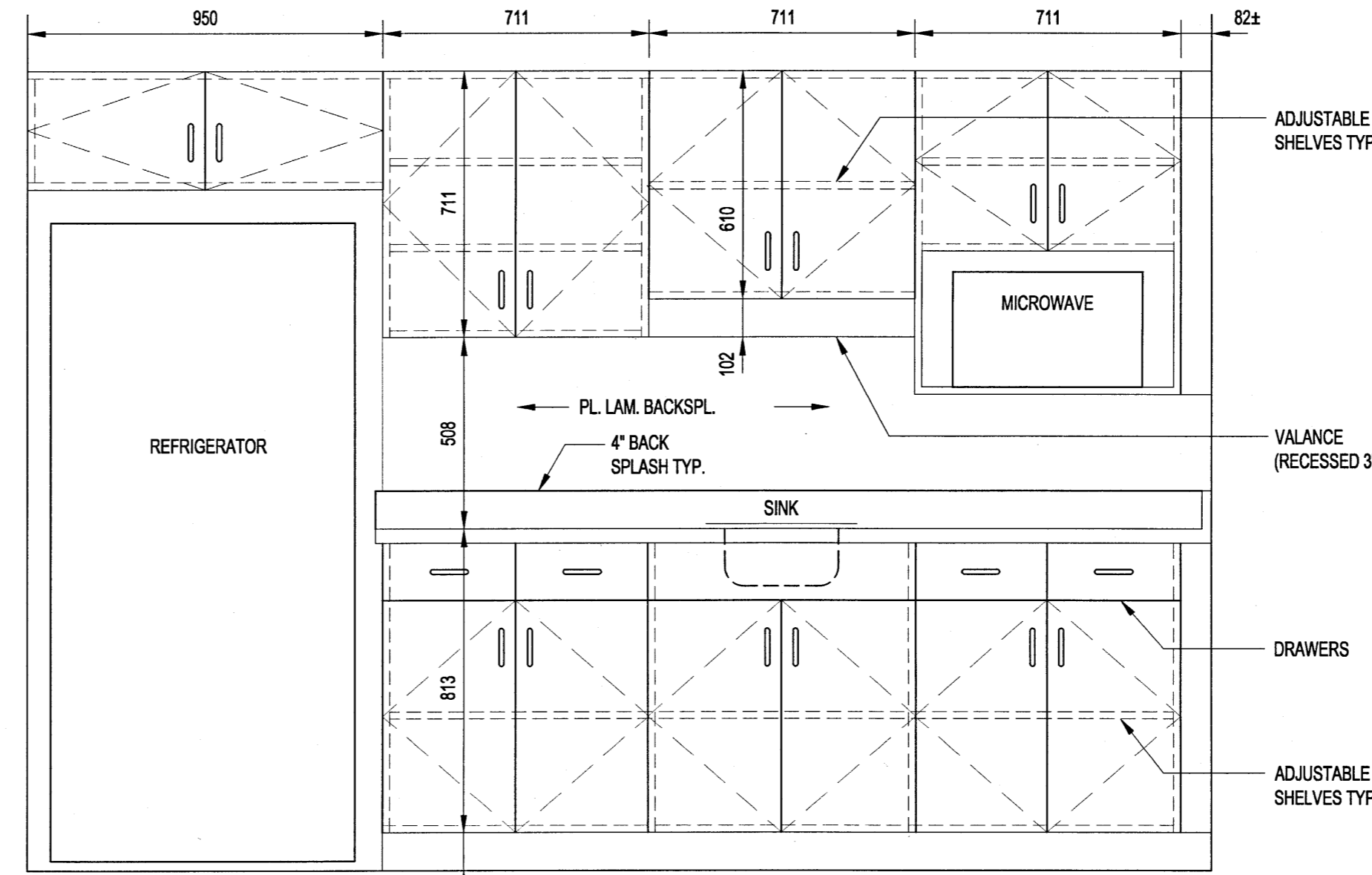
A BUILDING SECTION
SCALE: 1:75



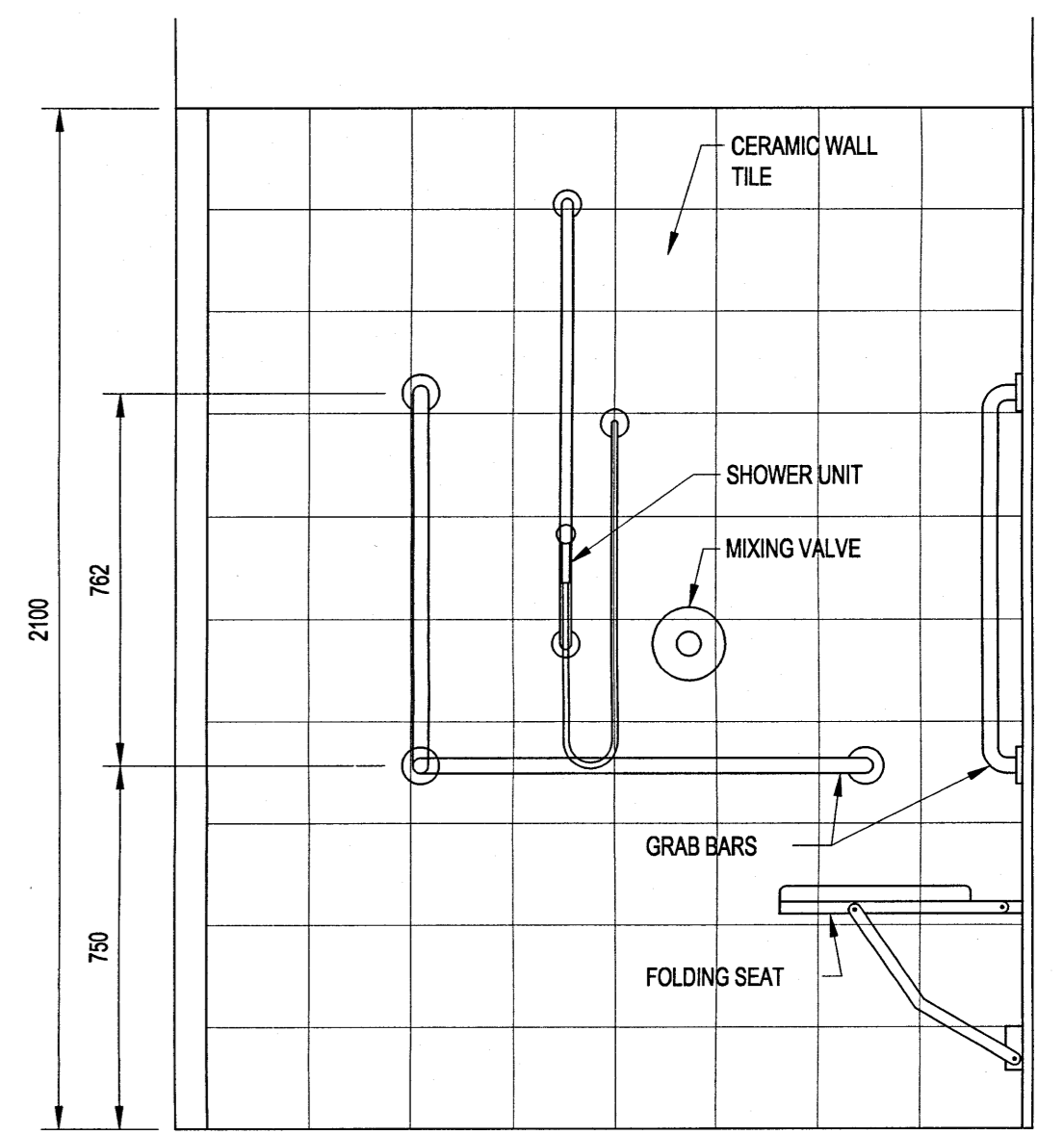
C BUILDING SECTION
SCALE: 1:75



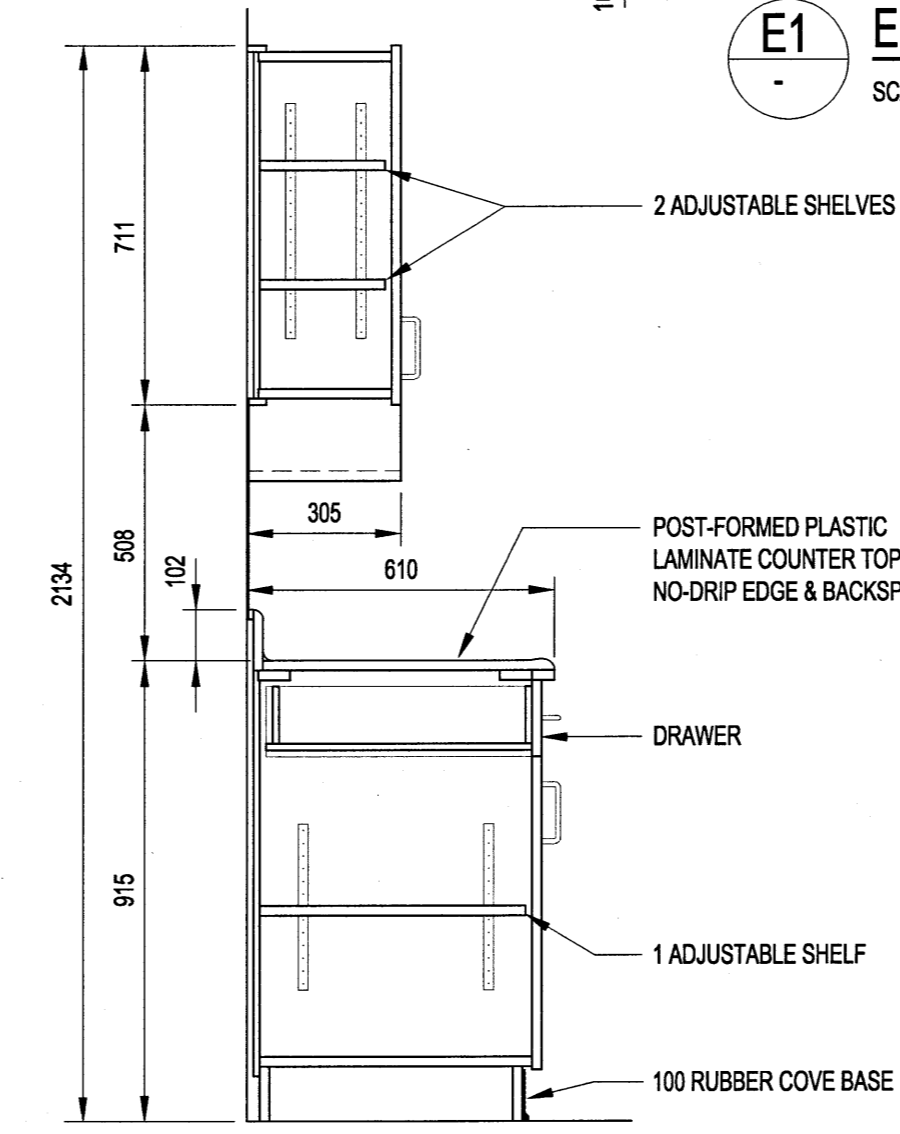
B BUILDING SECTION
SCALE: 1:75



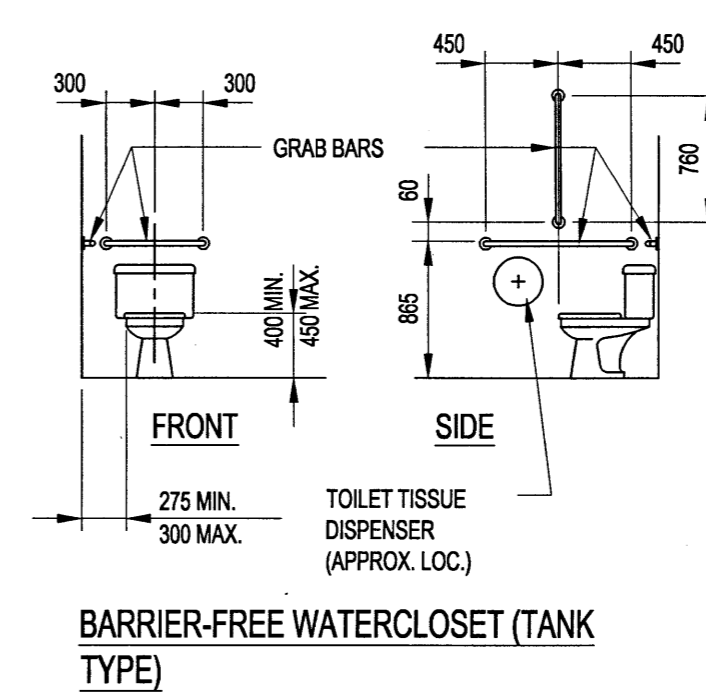
E1 ELEVATION
SCALE: 1:15



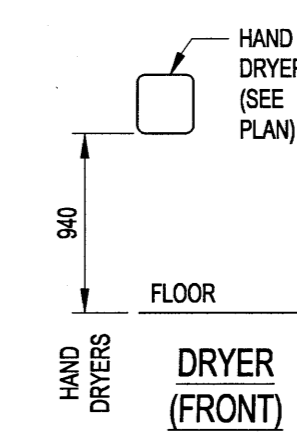
E2 ELEVATION
SCALE: 1:15



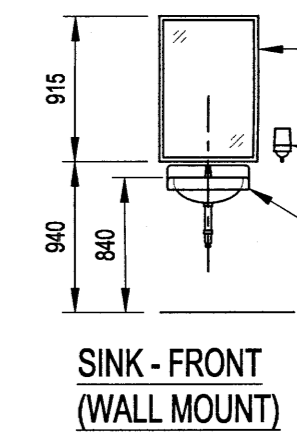
1 SECTION
SCALE: 1:15



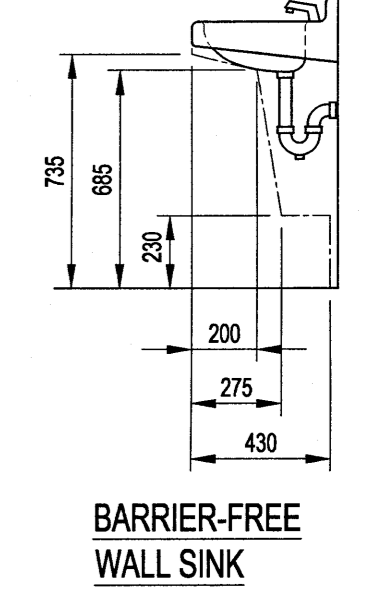
BARRIER-FREE WATERCLOSET (TANK TYPE)



HAND DRYERS (FRONT)



SINK - FRONT (WALL MOUNT)



BARRIER-FREE WALL SINK CLEARANCES

ROOM FINISH SCHEDULE														
ROOM No.	NAME	FLOOR	MATERIAL	FINISH	BASE	NORTH WALL	EAST WALL	SOUTH WALL	WEST WALL	CEILING	HEIGHT	REMARKS		
101	GARAGE	CONC	HDNR	VCB	PLYWD	P	PLYWD	P	PLYWD	P	4184			
102	RECEIVING & SORTING	CONC	HDNR	VCB	PLYWD	P	PLYWD	P	PLYWD	P	4184			
103	CORRIDOR	CONC	SF	SFCB	GB	P	GB	P	GB	P	2700			
104	LUNCH ROOM	CONC	SF	SFCB	GB	P	GB	P	GB	P	2700			
105	CLOSET	CONC	SF	VCB	GB	P	GB	P	GB	P	2700			
106	MECHANICAL ROOM	CONC	SF	VCB	GB	P	GB	P	GB	P	2700			
107	WASHROOM	CONC	CT	CT	GB	P	GB	P	GB	P	2400			
108	SHOWER	CONC	CT	CT	GB/CT	P	GB	P	GB/CT	P	2400	C.T. IN SHOWER ONLY		
109	LOCKERS	CONC	SF	SFCB	GB	P	GB	P	GB	P	2700			
110	OFFICE	CONC	SF	VCB	GB	P	GB	P	GB	P	2700			

WASHROOM HARDWARE AND ACCESSORIES	
DESCRIPTION	MODEL NO.
MIRROR (610 X 915)	B-2111
LIQUID SOAP DISPENSER (1.2 L. S.S.)	B-2111
PAPER TOWEL DISPENSER (ROLL TYPE)	B-2860
ELECTRIC HAND DRYER (WHITE)	B-709
TOILET TISSUE DISPENSER (2 ROLL)	B-2740
GRAB BAR (32mmØ X 915) SATIN	B-5806 X 36
GRAB BAR (32mmØ X 610) SATIN	B-5806 X 24
GRAB BAR (32mmØ X 305) SATIN	B-5806 X 12
GARBAGE BIN (355 X 355 X 750)	B-2280

ALL WASHROOM HARDWARE AND ACCESSORIES LISTED ABOVE SHALL BE CORROSION PROOF AND AS MANUFACTURED BY BOBRICK WASHROOM EQUIPMENT OF CANADA LTD. OR EQUAL.

ABBREVIATIONS	
AB	AIR BARRIER
AV/B	AIR/VAPOUR BARRIER
AL. (ALUM.)	ALUMINUM
ASPH. SAT.	ASHPALT SATURATED
CAR.	CARPET
CL. (CLAD.)	CLADDING
CONC.	CONCRETE
CONT.	CONTINUOUS
CT	CERAMIC TILE
DN.	DOWN
EL. (ELEV.)	ELEVATION
EW	EYE WASH
EX. (EXIST.)	EXISTING
FD	FLOOR DRAIN
FE	FIRE EXTINGUISHER
FIN.	FINISH (OR FINISHED)
FIN. GR.	FINISHED GRADE
GALV.	GALVANIZED
GB	GYP/SUM BOARD
GRB	GRAB BAR
HC	HOLLOW CORE (WOOD)
HDNR	FLOOR HARDENER
HM	HOLLOW METAL
HND	HAND DRYER
KHC	KRAFT HONEYCOMB
MCP	MEDIUM DENSITY FIBERBOARD
MOD. BIT.	MODIFIED BITUMENOUS
P	PAINT
PL. LAM.	PLASTIC LAMINATE
PLYWD	PLYWOOD
PREFIN.	PREFINISHED
PS	PRESSED STEEL
PTD	PAPER TOWEL DISPENSER
PVC	POLY VINYL CHLORIDE
QT	QUARRY TILE
RCB	RUBBER COVE BASE
SGC	SUSPENDED GRID CEILING
SC	SOLID CORE (WOOD)
SD	SOAP DISPENSER
SF	SHEET FLOORING
SFCB	SHEET FLOORING COVE BASE
S.S.	STAINLESS STEEL
STL. ST.	STEEL STUDS
TD	TOILET TISSUE DISPENSER
T.P.	TOILET PARTITION(S)
VIB	VAPOUR BARRIER

LOCATION APPROVED UNDERGROUND STRUCTURES

SUPV. U/G STRUCTURES DATE
COMMITTEE

NOTE:
LOCATION OF UNDERGROUND STRUCTURES AS SHOWN ARE BASED ON THE BEST INFORMATION AVAILABLE BUT NO GUARANTEE IS GIVEN THAT ALL EXISTING UTILITIES ARE SHOWN OR THAT THE GIVEN LOCATIONS ARE EXACT. CONFIRMATION OF EXISTENCE AND EXACT LOCATION OF ALL SERVICES MUST BE OBTAINED FROM THE INDIVIDUAL UTILITIES BEFORE PROCEEDING WITH CONSTRUCTION.

B.M. ELEV.	NO.	REVISIONS	DATE	BY
	0	ISSUED FOR TENDER	17/03/23	

KGS GROUP CONSULTING ENGINEERS

DESIGNED BY: DJP
DRAWN BY: MBB

CHECKED BY: CMS
APPROVED BY: [Signature]

HOR. SCALE: AS NOTED
VERTICAL: AS NOTED

RELEASED FOR CONSTRUCTION: [Signature]

ENGINEER'S SEAL

PETRAK
Member
2402
Professional Engineer

CONSULTANT DRAWING NO.
16-0107-010

THE CITY OF WINNIPEG WATER AND WASTE DEPARTMENT

PROJECT TITLE: 4R WINNIPEG DEPOT EAST WINNIPEG COMMUNITY RESOURCE RECOVERY CENTRE HHW BUILDING SECTIONS, ROOM FINISH SCHEDULE & DETAILS

SHEET 12 OF 41
COMPUTER FILE NAME: 16-0107-010
CONSULTANT DRAWING NUMBER: B04

16-0107-010\16-0107-010_B03.dwg