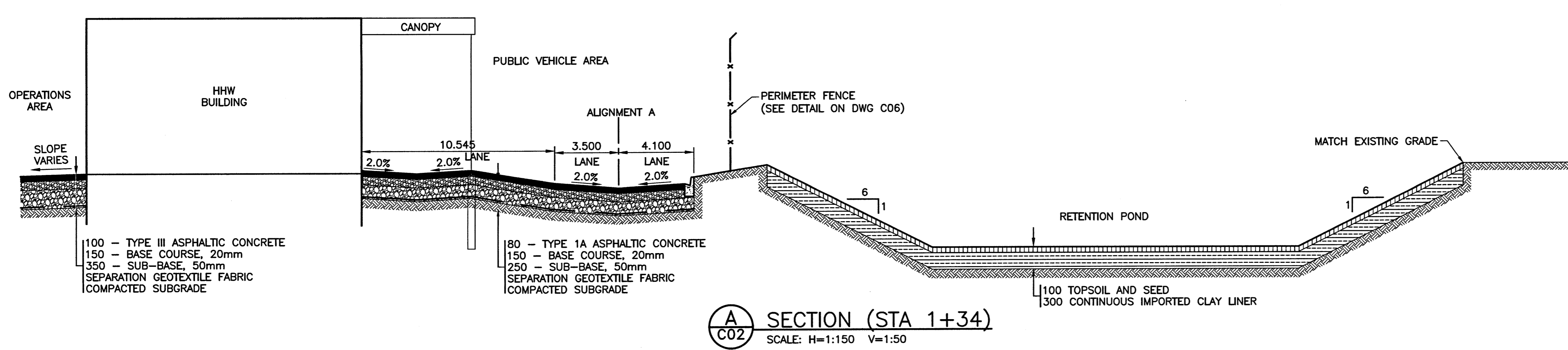
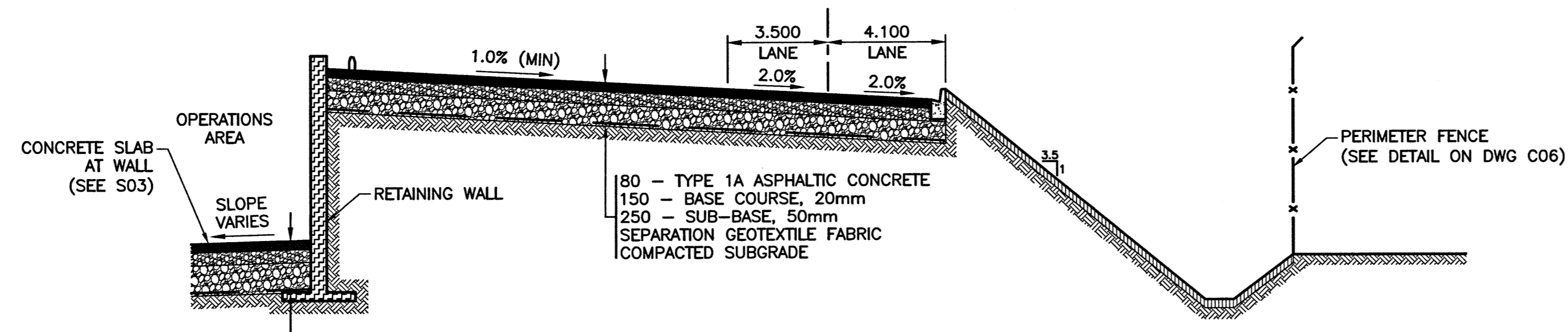


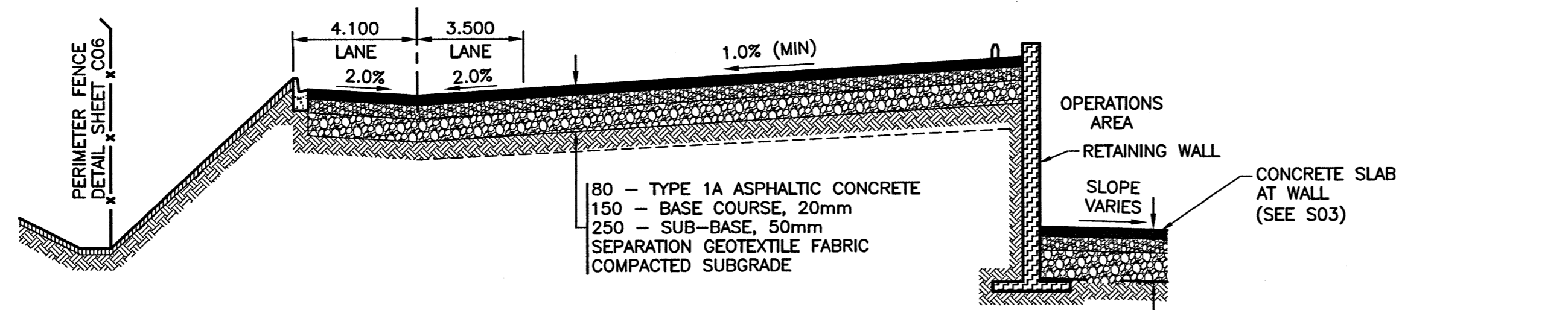
File name: P:\Projects\2016\16-0107-010\DWG\Mun\16-0107-010\_CALL - Tab: C05 Plotted By: sgoel 17/03/23 [Thu 4:03pm] 24 x 36 / PLOT SCALE:



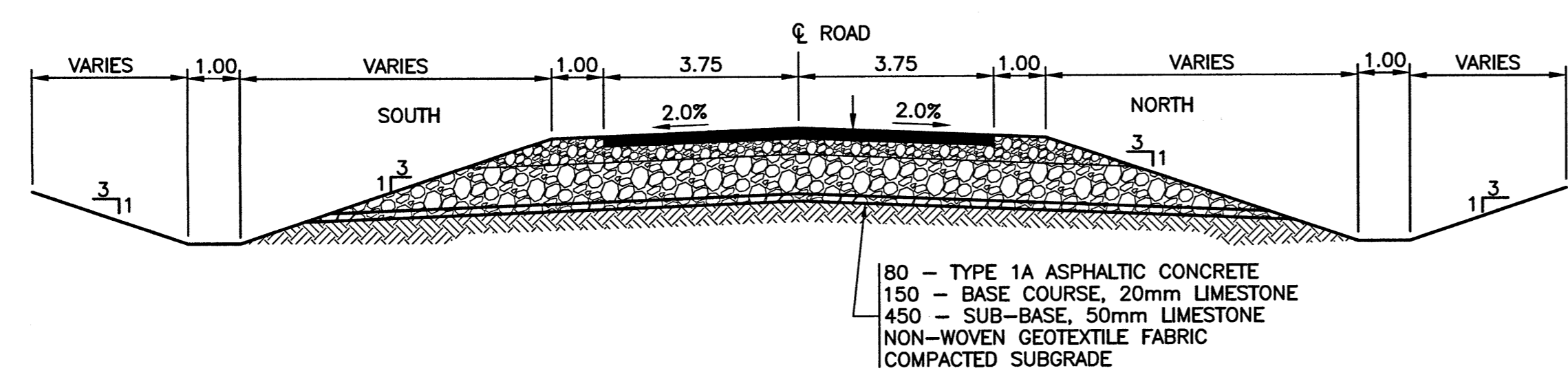
**A SECTION (STA 1+34)**  
C02 SCALE: H=1:150 V=1:50



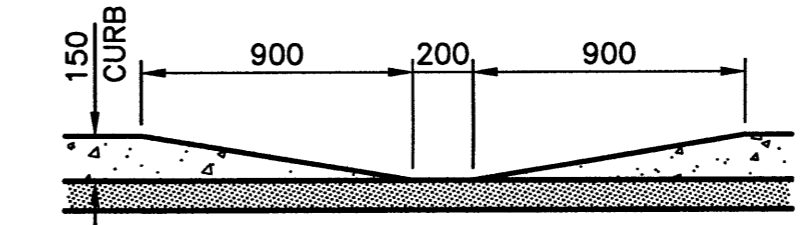
**B SECTION (STA 2+50)**  
C02 SCALE: H=1:150 V=1:50



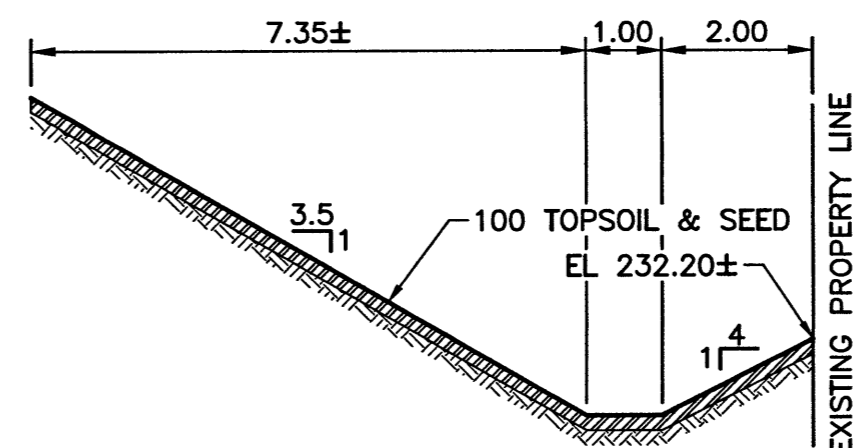
**C SECTION (STA 3+50)**  
C02 SCALE: H=1:150 V=1:50



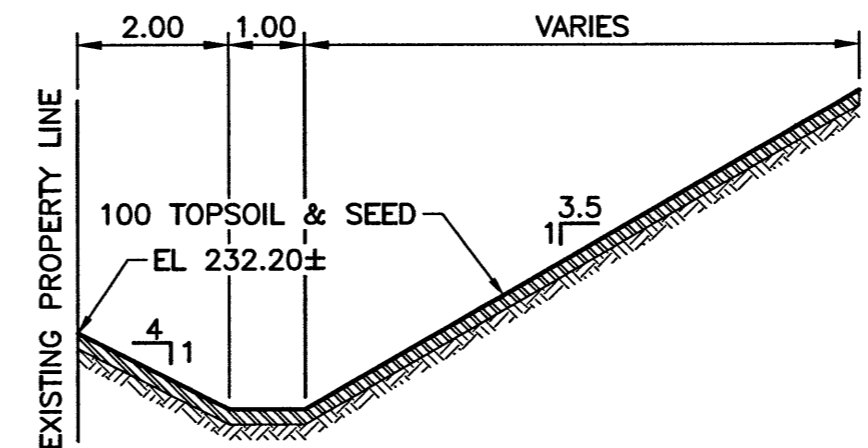
**MISSION STREET PAVEMENT STRUCTURE SECTION**  
SCALE: H=1:100 V=1:50



**CURB CUT DETAIL**  
SCALE: 1:25

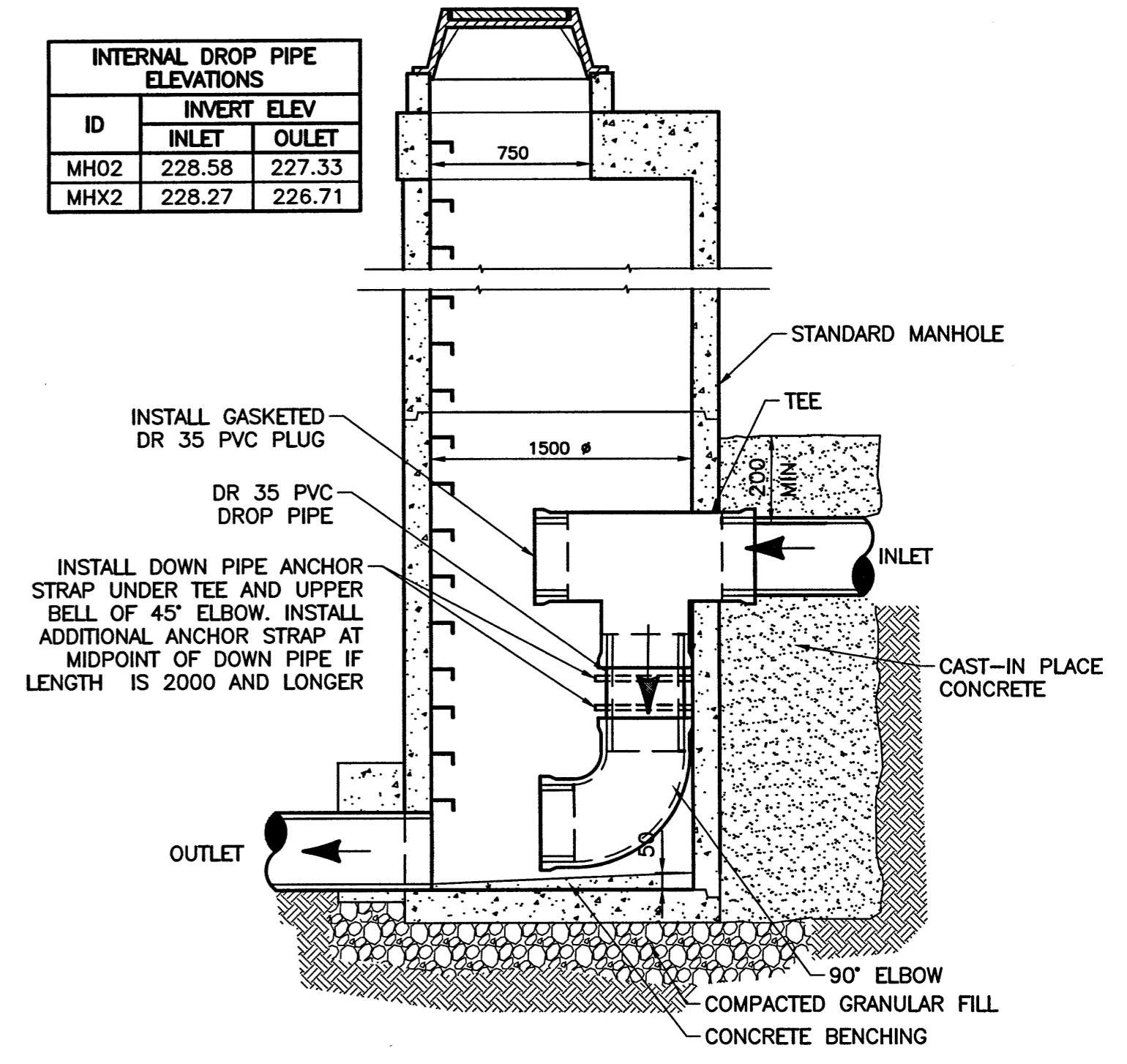


**NORTH DITCH SECTION**  
SCALE: H=1:100 V=1:50

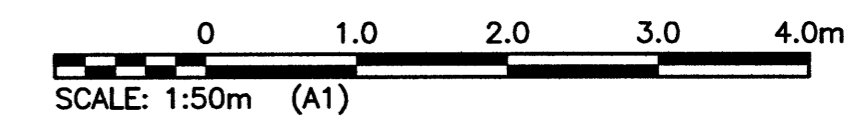
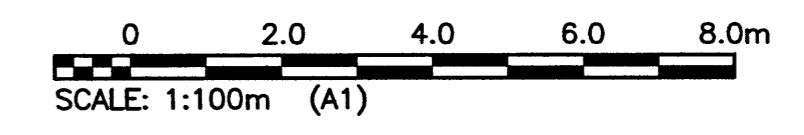
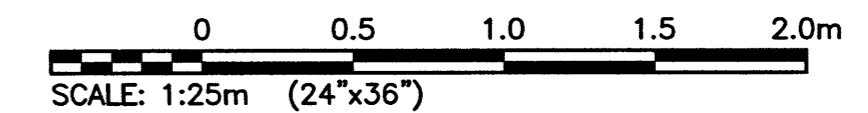


**WEST SWALE SECTION**  
SCALE: H=1:100 V=1:50

ID	INVERT ELEV	
	INLET	OUTLET
MH02	228.58	227.33
MHX2	228.27	226.71



**INTERNAL DROP MANHOLE DETAIL (MH02 & MHX2) COW SD-010D**  
SCALE: 1:25



**WARNING**

- NOTIFY THE GAS COMPANY OF THE PROPOSED LOCATION OF EXCAVATION.
- TAKE PRECAUTION TO AVOID DAMAGE TO GAS COMPANY INSTALLATIONS.
- SEE PROVINCIAL REGULATION 210/72 FOR DETAILS.
- OBTAIN PERMITS PRIOR TO CONSTRUCTION.

**PROPERTY LIMITS DELINEATION**

DELINEATION OF PROPERTY LIMITS AS SHOWN ON THIS DWG DOES NOT REPRESENT A "LEGAL SURVEY". KGS GROUP MAKES NO REPRESENTATION OR WARRANTY AS TO THE ACCURACY OF PROPERTY LIMITS DELINEATED ON THIS DWG, NOR ON THE DIMENSIONAL ACCURACY OF DWG FEATURES RELATIVE TO THOSE PROPERTY LIMITS.

**METRIC**

WHOLE NUMBERS INDICATE MILLIMETRES  
DECIMALIZED NUMBERS INDICATE METRES

150 WM	WATER MAIN	150 WM	HYDRO	150 WM	WATER MAIN	150 WM
+	HYDRANT VALVE	+	M.T.S.	+	HYDRANT VALVE	+
○	LAND DRAINAGE SEWER	○	CONCRETE	○	LAND DRAINAGE SEWER	○
○	WASTE WATER SEWER	○	ASPHALT	○	WASTE WATER SEWER	○
○	MANHOLE	○	SIDEWALK	○	MANHOLE	○
○	CATCH BASIN	○	PLANNING	○	CATCH BASIN	○
○	CURB INLET	○	PROPERTY LINE	○	CURB INLET	○
○	JUNCTIONS	○	SURVEY BAR	○	JUNCTIONS	○
○	CULVERT	○	DITCH	○	CULVERT	○
○	GAS	○	ELEVATION	○	GAS	○
---	EXISTING	---	LEGEND-PLAN	---	EXISTING	---
---	LEGEND-PLAN	---	PROPOSED	---	LEGEND-PROFILE	---
---	PROPOSED	---	EXISTING	---	PROPOSED	---

**LOCATION APPROVED UNDERGROUND STRUCTURES**

B.M. 33-014 ELEV. 231.421m

DESIGNED BY: PP  
DRAWN BY: SAG  
CHECKED BY: [Signature]  
APPROVED BY: [Signature]

DATE: 16/08/17

NO. REVISIONS: 0  
DATE: 17/03/23  
BY: [Signature]

**KGS GROUP CONSULTING ENGINEERS**

ENGINEER'S SEAL: PAWLUK

PROJECT TITLE: 4R WINNIPEG DEPOT EAST WINNIPEG COMMUNITY RESOURCE RECOVERY CENTRE TYPICAL SECTIONS

SHEET 06 OF 41  
COMPUTER FILE NAME: 16-0107-010  
CONSULTANT DRAWING NUMBER: C05

**THE CITY OF WINNIPEG WATER AND WASTE DEPARTMENT**

4R WINNIPEG DEPOT EAST WINNIPEG COMMUNITY RESOURCE RECOVERY CENTRE TYPICAL SECTIONS

CONSULTANT DRAWING NO. 16-0107-010