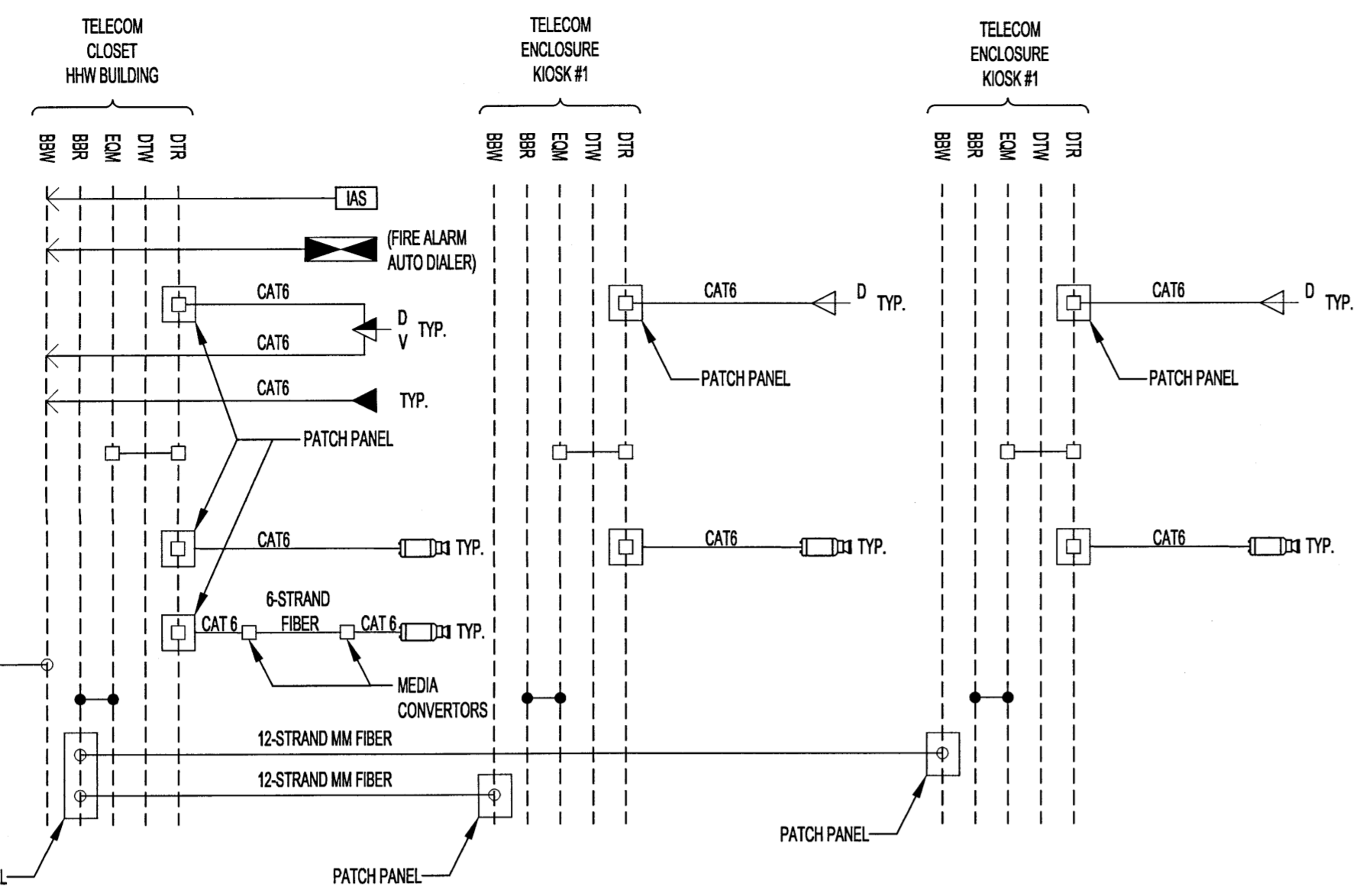
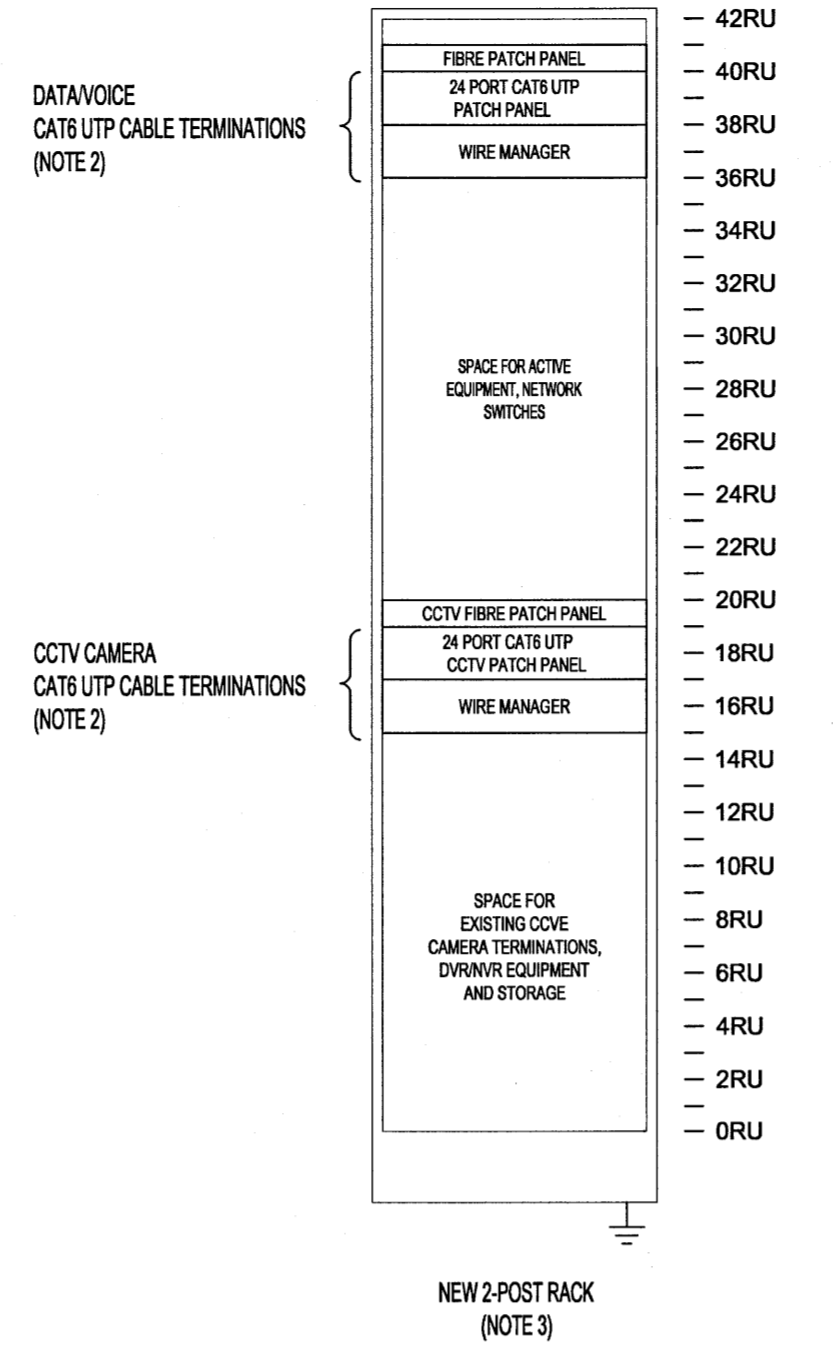


LEGEND:

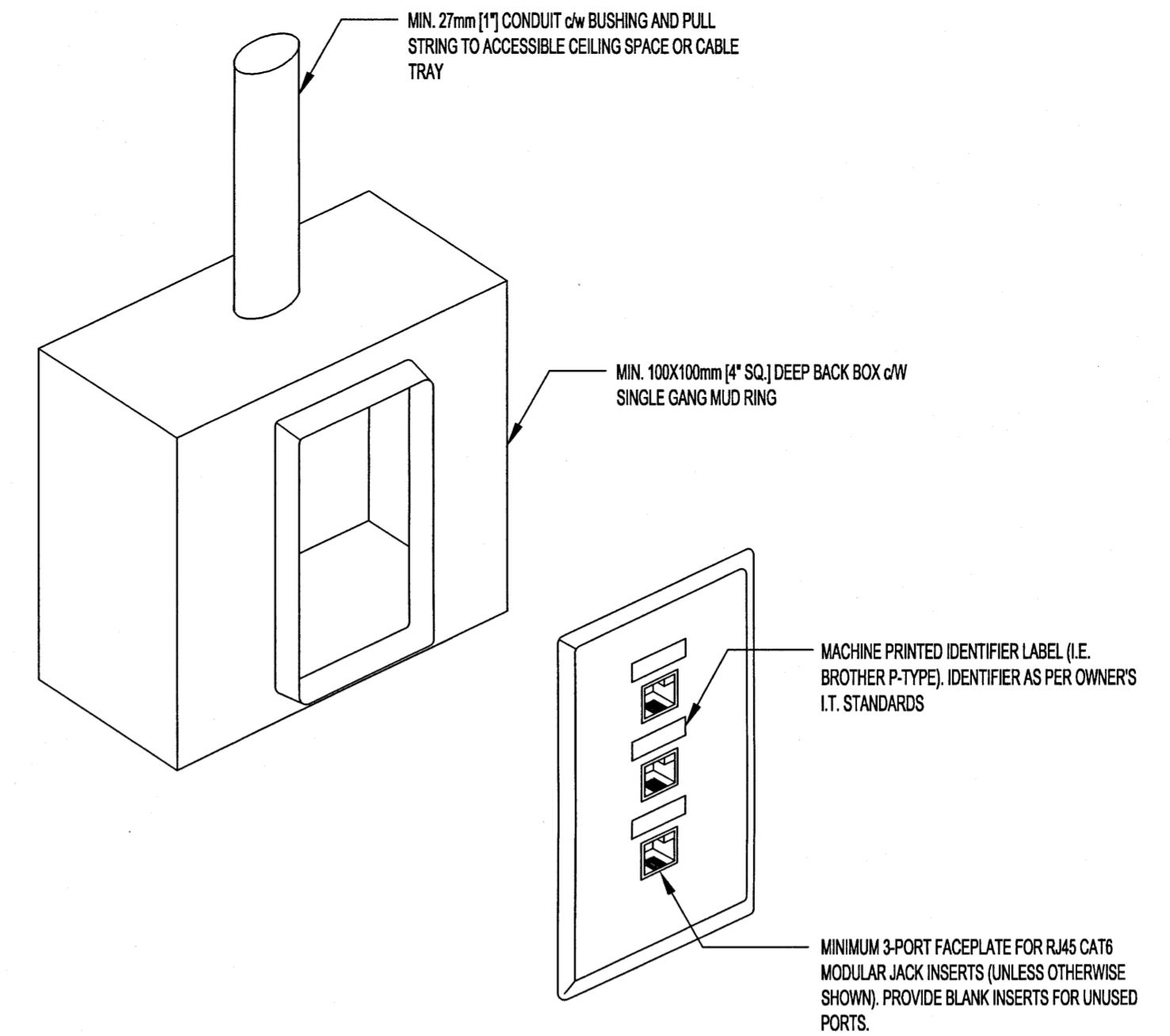
- IDCBIX TERMINATION
 - IDCBIX CROSS-CONNECT WIRES
 - PATCH CORD RJ-45 PLUG
 - PATCH PANEL RJ-45 JACK
 - FIBER PATCH CORD LC4C
 - FIBER PATCH PANEL LC CONNECTOR
 - COMBINATION VOICE/DATA OUTLET (TYP.)
 - DATA OUTLET (TYP.)
 - VOICE OUTLET (TYP.)
-
- BSW BACKBONE TERMINATION - WALL MOUNTED
 - BSR BACKBONE TERMINATION - RACK MOUNTED
 - DTW DISTRIBUTION TERMINATION - WALL MOUNTED
 - DTR DISTRIBUTION TERMINATION - RACK MOUNTED
 - EQM EQUIPMENT



A STRUCTURED CABLING SCHEMATIC
N.T.S.



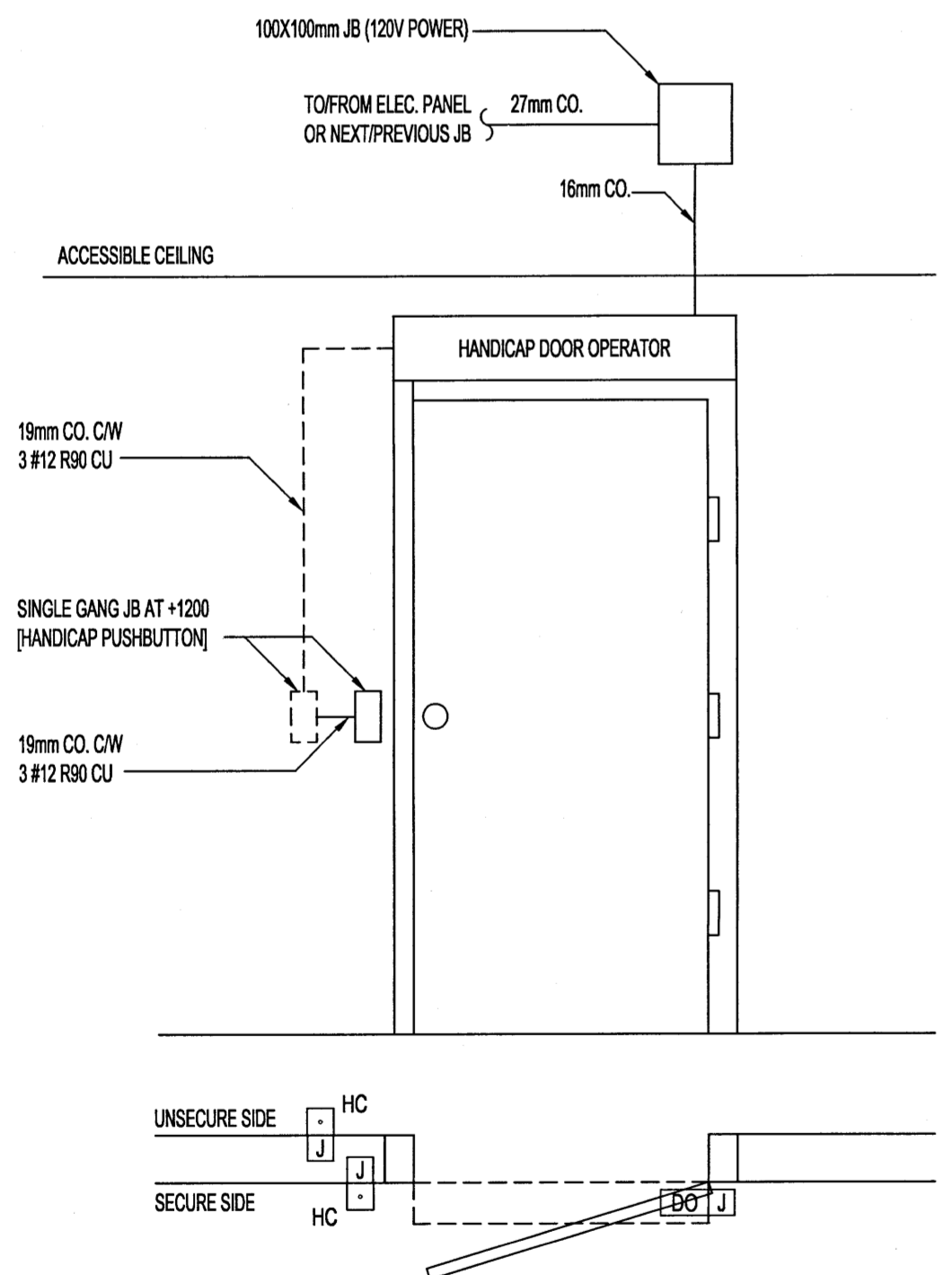
B PROPOSED TELECOM RACK LAYOUT
N.T.S.



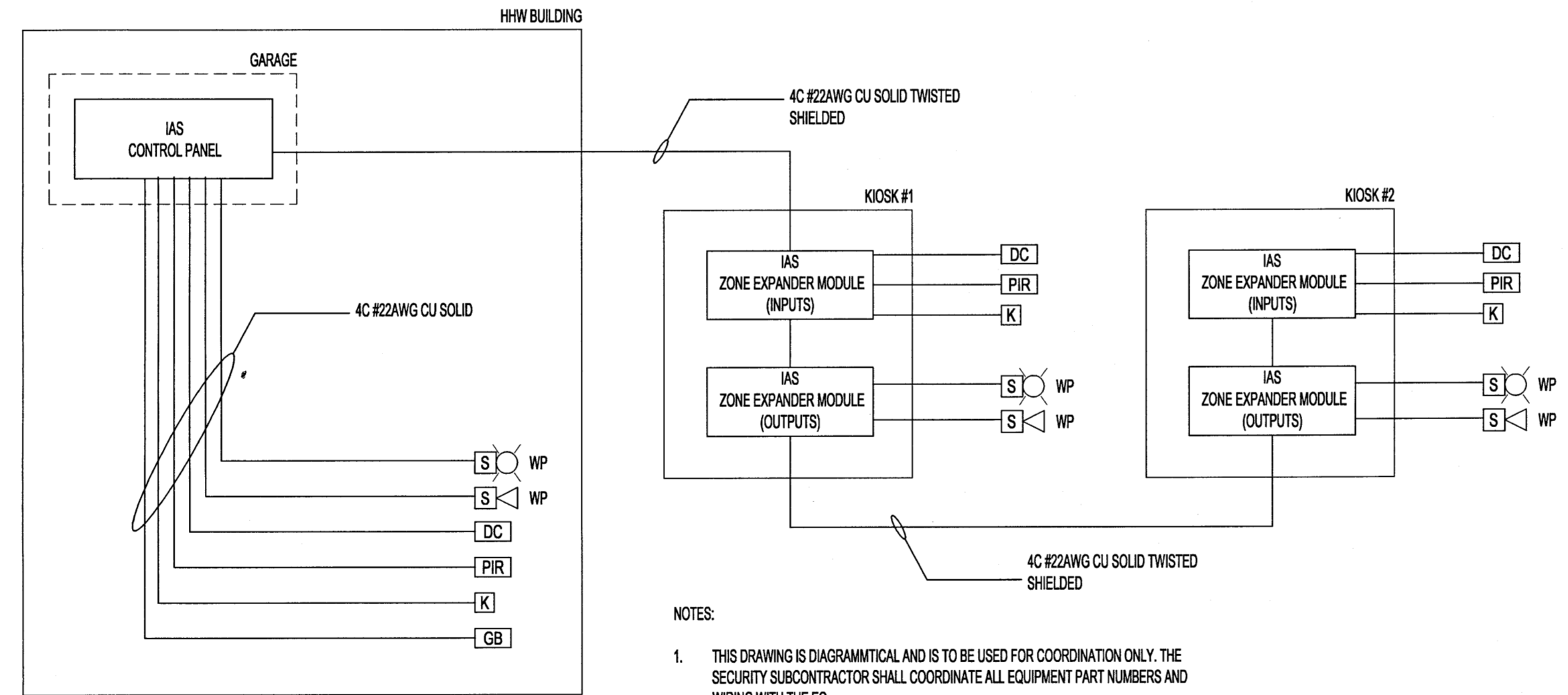
C TYPICAL TELECOM OUTLET DETAIL (1/4)
N.T.S.

GENERAL NOTES:

1. GRAY LINE WEIGHT DENOTES EQUIPMENT SUPPLIED BY THE CITY.
2. PROVIDE PATCH PANELS AS REQUIRED TO TERMINATE ALL CABLES CW WIRE MANAGER BELOW EACH PATCH PANEL.
3. THE TELECOM RACK, SWITCHES, AND PATCH PANEL SHALL BE SUPPLIED BY THE CITY AND INSTALLED BY THE ELECTRICAL SUBCONTRACTOR.

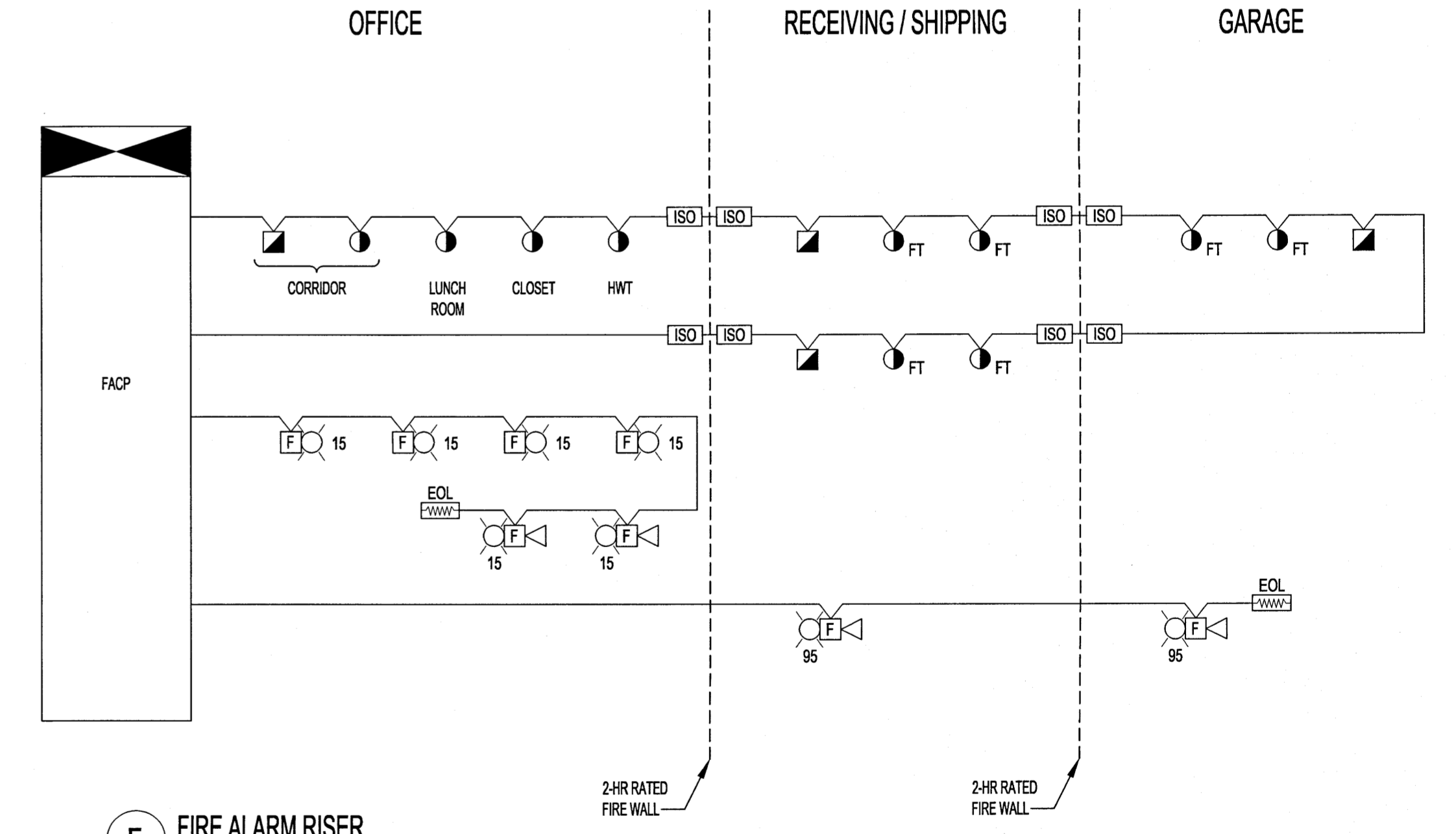


D HANDICAP DOOR OPERATOR DETAIL
N.T.S.



E INTRUSION ALARM SYSTEM SCHEMATIC
N.T.S.

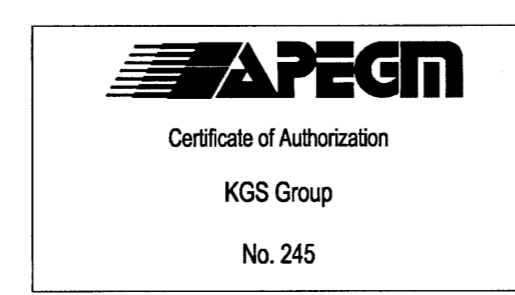
- NOTES:
1. THIS DRAWING IS DIAGRAMMATICAL AND IS TO BE USED FOR COORDINATION ONLY. THE SECURITY SUBCONTRACTOR SHALL COORDINATE ALL EQUIPMENT PART NUMBERS AND WIRING WITH THE EC.
 2. THE SECURITY SUBCONTRACTOR SHALL PROVIDE A COMPLETE WIRING DIAGRAM WITH ALL WIRING AND ACCESSORIES AT THE TIME OF SHOP DRAWING REVIEW.



F FIRE ALARM RISER
N.T.S.

DETAIL NOTES:

- A. ELECTRICAL SUBCONTRACTOR TO MAKE ALL CONNECTIONS AND INSTALL ALL DEVICES AS SUPPLIED BY THE HARDWARE SUBCONTRACTOR. INCLUDE ALL LOW VOLTAGE WIRING AND REQUIRED POWER SUPPLIES.
- B. WHERE APPLICABLE ELECTRICAL SUBCONTRACTOR TO INTERCONNECT THE HANDICAP DOOR OPERATOR TO THE CARD ACCESS SYSTEM TO PREVENT THE DOOR OPERATOR FROM OPERATING WHEN THE DOOR STRIKE IS CLOSED AND TO ALLOW THE DOOR STRIKE TO RELEASE IF THE HANDICAP DOOR OPERATOR IS OPERATED FROM THE SECURE SIDE.



LOCATION APPROVED UNDERGROUND STRUCTURES		B.M. ELEV.
SUPV. U/G STRUCTURES COMMITTEE	DATE	
NOTE: LOCATION OF UNDERGROUND STRUCTURES AS SHOWN ARE BASED ON THE BEST INFORMATION AVAILABLE BUT NO GUARANTEE IS GIVEN THAT ALL EXISTING UTILITIES ARE SHOWN OR THAT THE GIVEN LOCATIONS ARE EXACT. CONFIRMATION OF EXISTENCE AND EXACT LOCATION OF ALL SERVICES MUST BE OBTAINED FROM THE INDIVIDUAL UTILITIES BEFORE PROCEEDING WITH CONSTRUCTION.		
NO.	ISSUED FOR TENDER	DATE
0		17/03/14
NO.	REVISIONS	DATE BY

KGS GROUP CONSULTING ENGINEERS		ENGINEER'S SEAL
DESIGNED BY: CLS	CHECKED BY: [Signature]	
DRAWN BY: SDC	APPROVED BY: [Signature]	
HOR. SCALE: AS NOTED	RELEASED FOR CONSTRUCTION:	CONSULTANT PROJECT NO. 16-0107-010
VERTICAL: AS NOTED	DATE	

THE CITY OF WINNIPEG WATER AND WASTE DEPARTMENT

PROJECT TITLE: 4R WINNIPEG DEPOT EAST WINNIPEG COMMUNITY RESOURCE RECOVERY CENTRE SYSTEM DETAILS

SHEET 37 OF 41
COMPUTER FILE NAME: 16-0107-010
CONSULTANT DRAWING NUMBER: E12