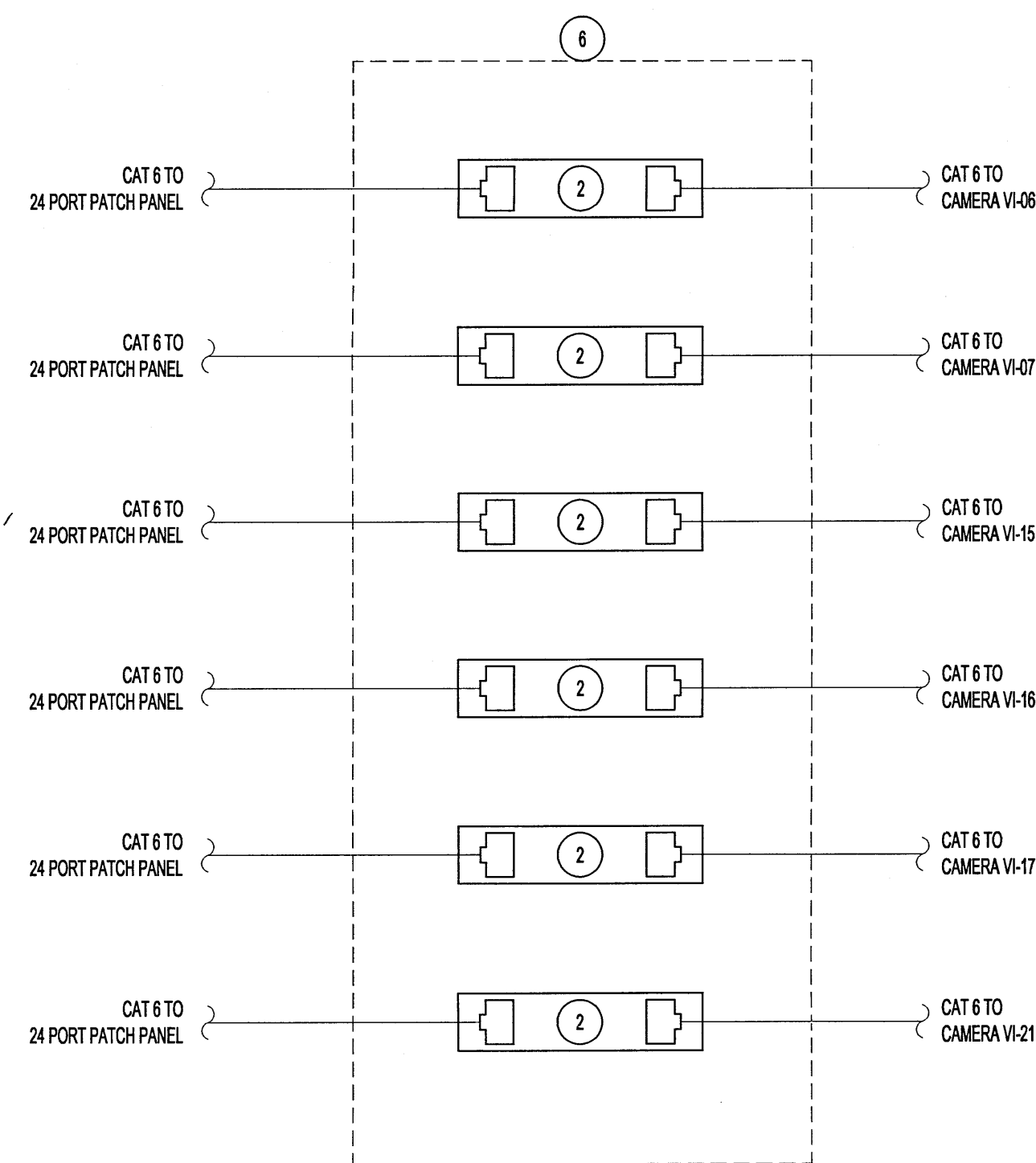
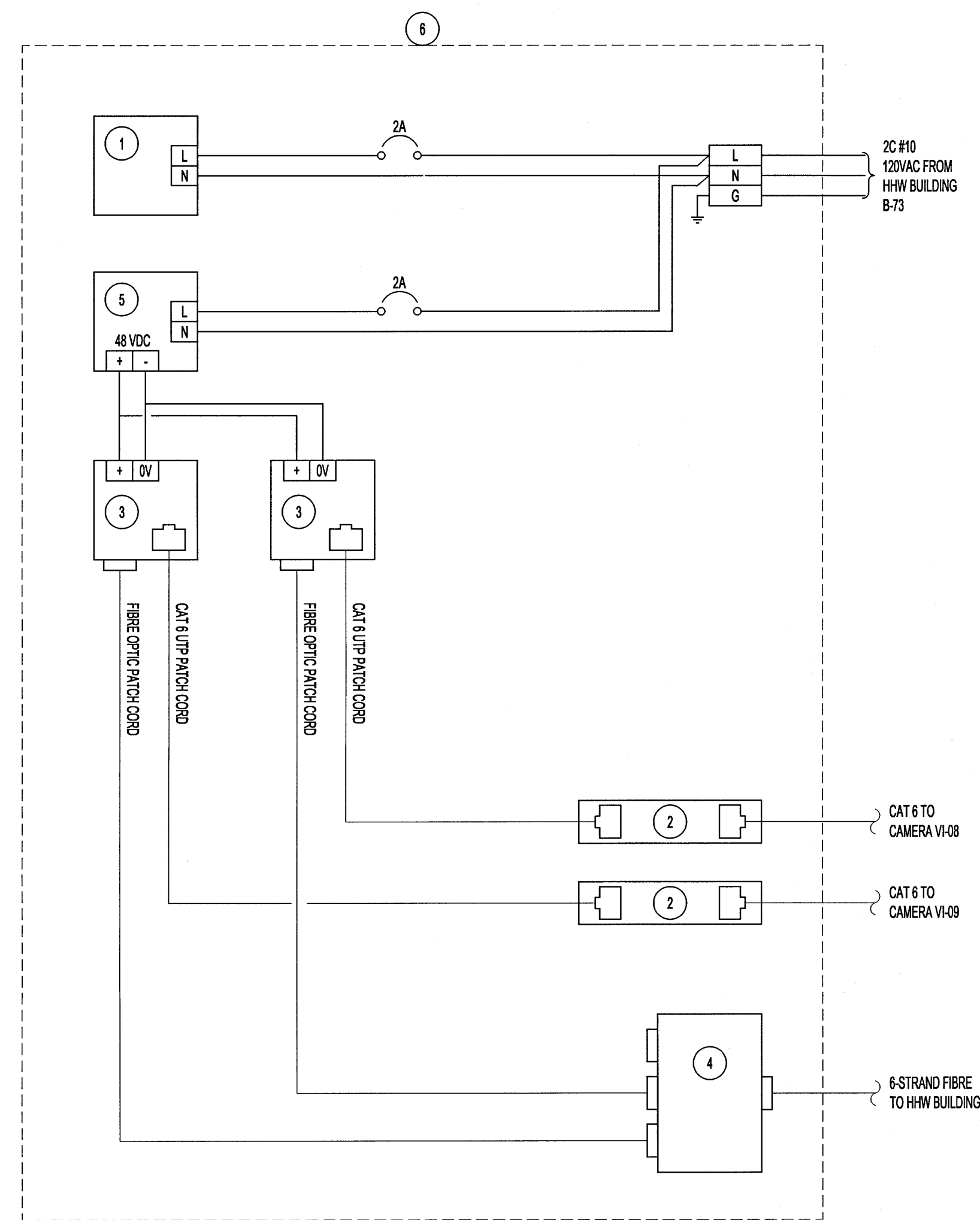


GENERAL NOTES:

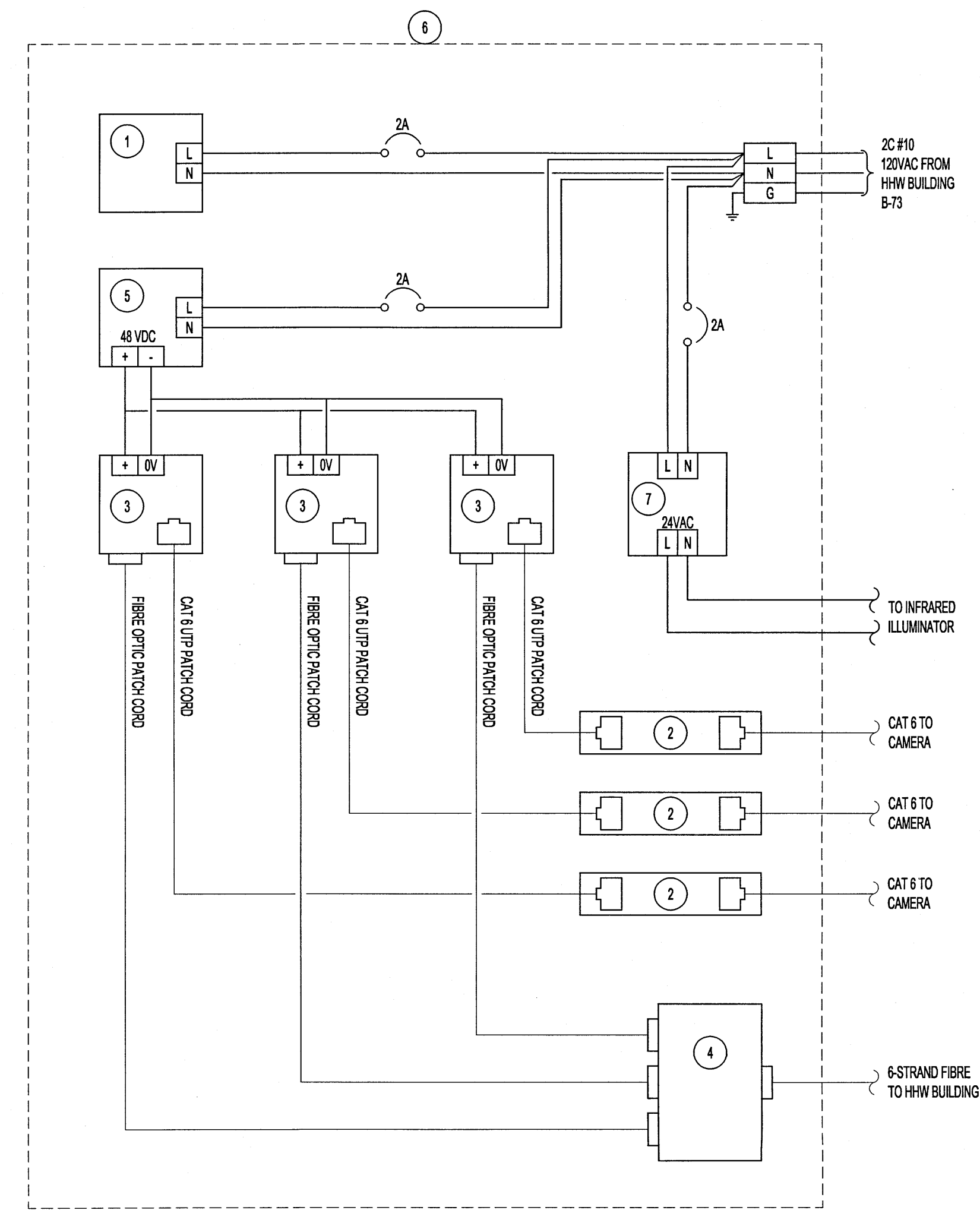
1. REFER TO DRAWING E-13 FOR OVERALL SECURITY CAMERA SCHEMATIC.
2. ELECTRICAL SUBCONTRACTOR TO PROVIDE SHOP DRAWINGS FOR SECURITY ENCLOSURES.



1 TYPICAL LAYOUT FOR SECURITY ENCLOSURE (JB-01)
N.T.S.

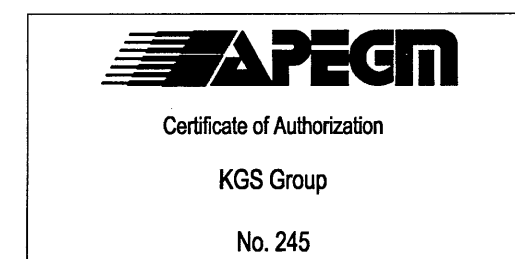


2 TYPICAL LAYOUT FOR SECURITY ENCLOSURE (JB-02)
N.T.S.



3 TYPICAL LAYOUT FOR SECURITY ENCLOSURE (JB-03, JB-04)
N.T.S.

MATERIALS LIST	
TYPE	DESCRIPTION
1	ENCLOSURE HEATER 120V, 100W (MIN)
2	CAT 6 DATA LINE SURGE PROTECTOR
3	POE MEDIA CONVERTER CAT 6 / 1 FIBRE SC, MULTIMODE
4	FIBRE OPTIC TERMINATION BOX (WALL MOUNTED)
5	120VAC - 48VDC POWER SUPPLY
6	LOCKABLE NEMA 4 ENCLOSURE COMPLETE WITH 1" FIBERGLASS INSULATION
7	120VAC - 24VAC POWER SUPPLY



LOCATION APPROVED UNDERGROUND STRUCTURES

SUPV. U/G STRUCTURES COMMITTEE DATE

NOTE:
LOCATION OF UNDERGROUND STRUCTURES AS SHOWN ARE BASED ON THE BEST INFORMATION AVAILABLE BUT NO GUARANTEE IS GIVEN THAT ALL EXISTING UTILITIES ARE SHOWN OR THAT THE GIVEN LOCATIONS ARE EXACT. CONFIRMATION OF EXISTENCE AND EXACT LOCATION OF ALL SERVICES MUST BE OBTAINED FROM THE INDIVIDUAL UTILITIES BEFORE PROCEEDING WITH CONSTRUCTION.

NO.	REVISIONS	DATE	BY
0	ISSUED FOR TENDER	17/03/14	cc

KGS GROUP CONSULTING ENGINEERS

DESIGNED BY: CLS
DRAWN BY: SDC
HOR. SCALE: AS NOTED
VERTICAL: AS NOTED

CHECKED BY: [Signature]
APPROVED BY: [Signature]
RELEASED FOR CONSTRUCTION: [Signature]
DATE: 16/08/17

ENGINEER'S SEAL

PROFESSIONAL ENGINEER
CIVIL
SARARAS
Member
20218
7/23/15

CONSULTANT PROJECT NO.
16-0107-010

THE CITY OF WINNIPEG WATER AND WASTE DEPARTMENT

PROJECT TITLE: 4R WINNIPEG DEPOT EAST WINNIPEG COMMUNITY RESOURCE RECOVERY CENTRE

SECURITY SYSTEM CAMERA DETAILS

SHEET 39 OF 41
COMPUTER FILE NAME: 16-0107-010
CONSULTANT DRAWING NUMBER: E14