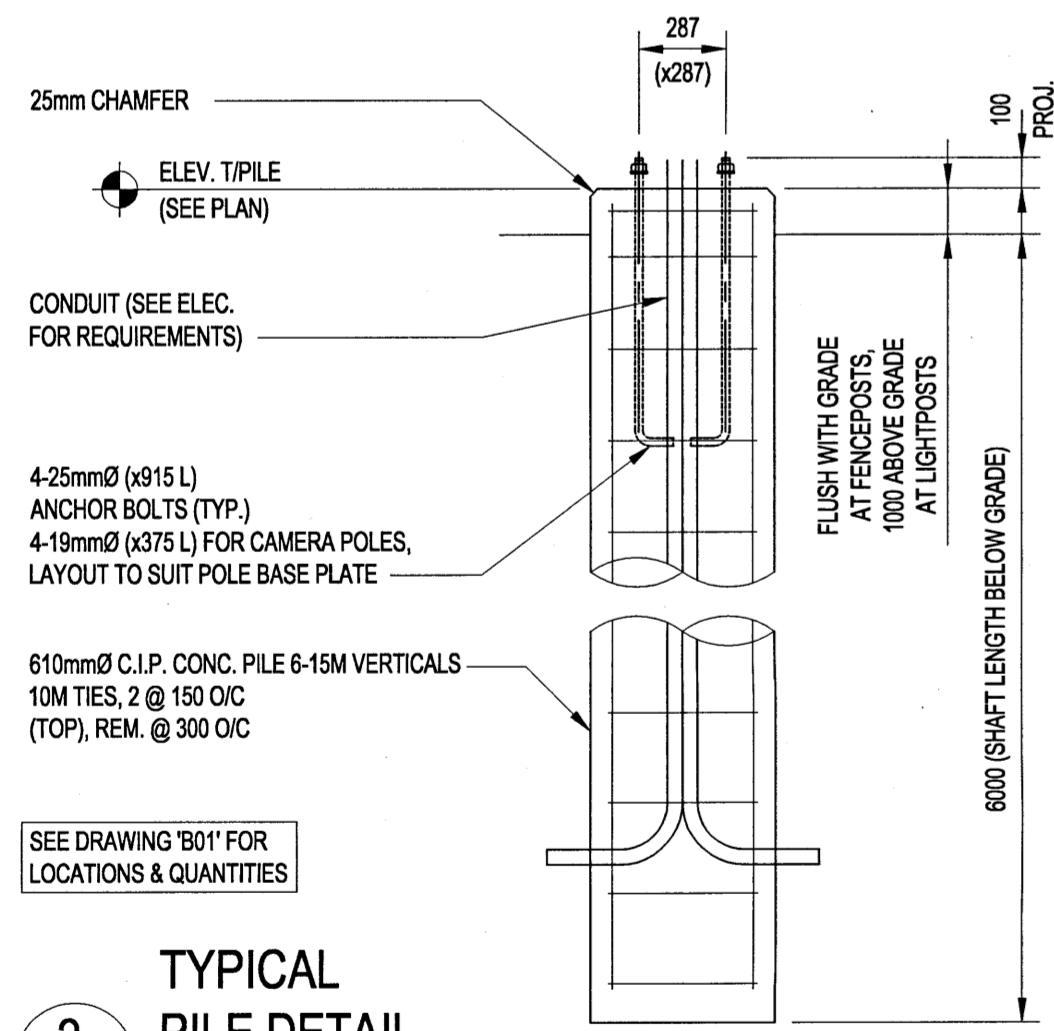
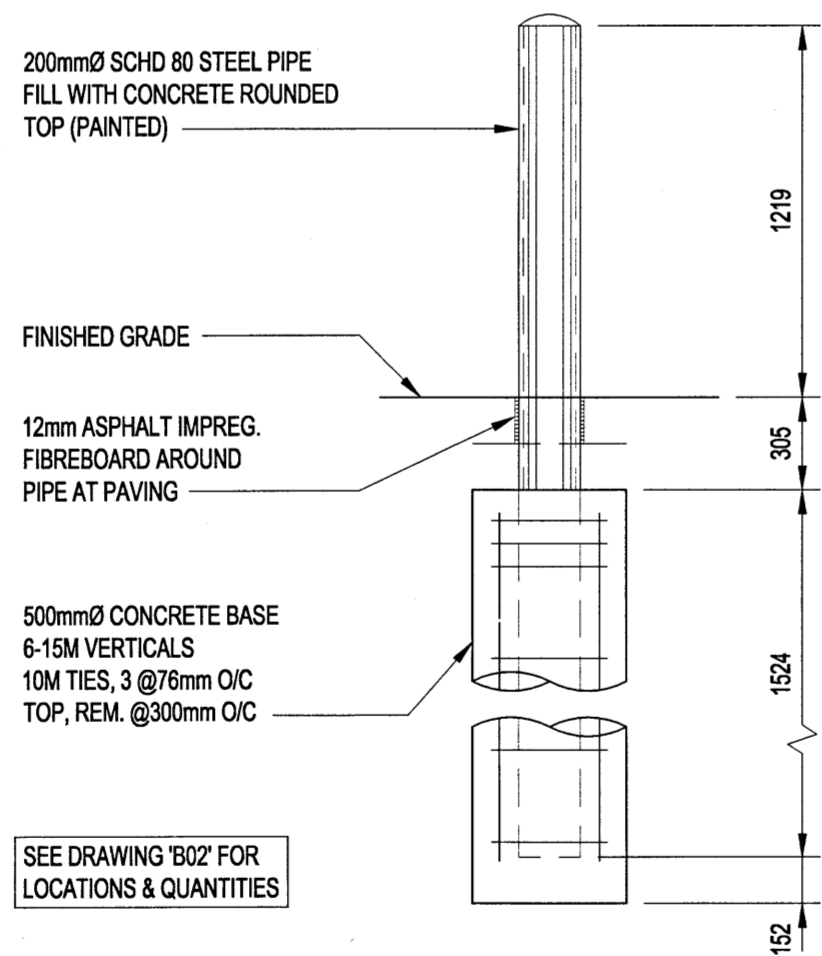


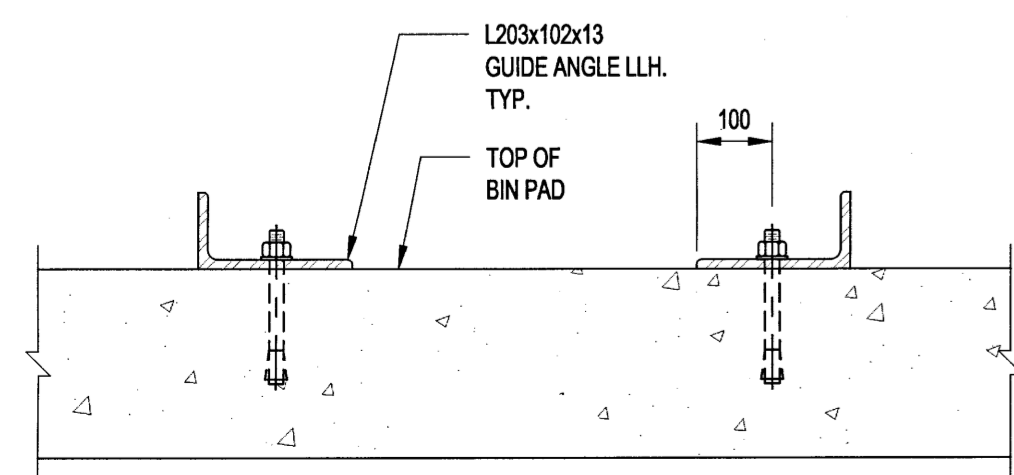
**A B01 PARTIAL PLAN**  
SCALE: 1:30



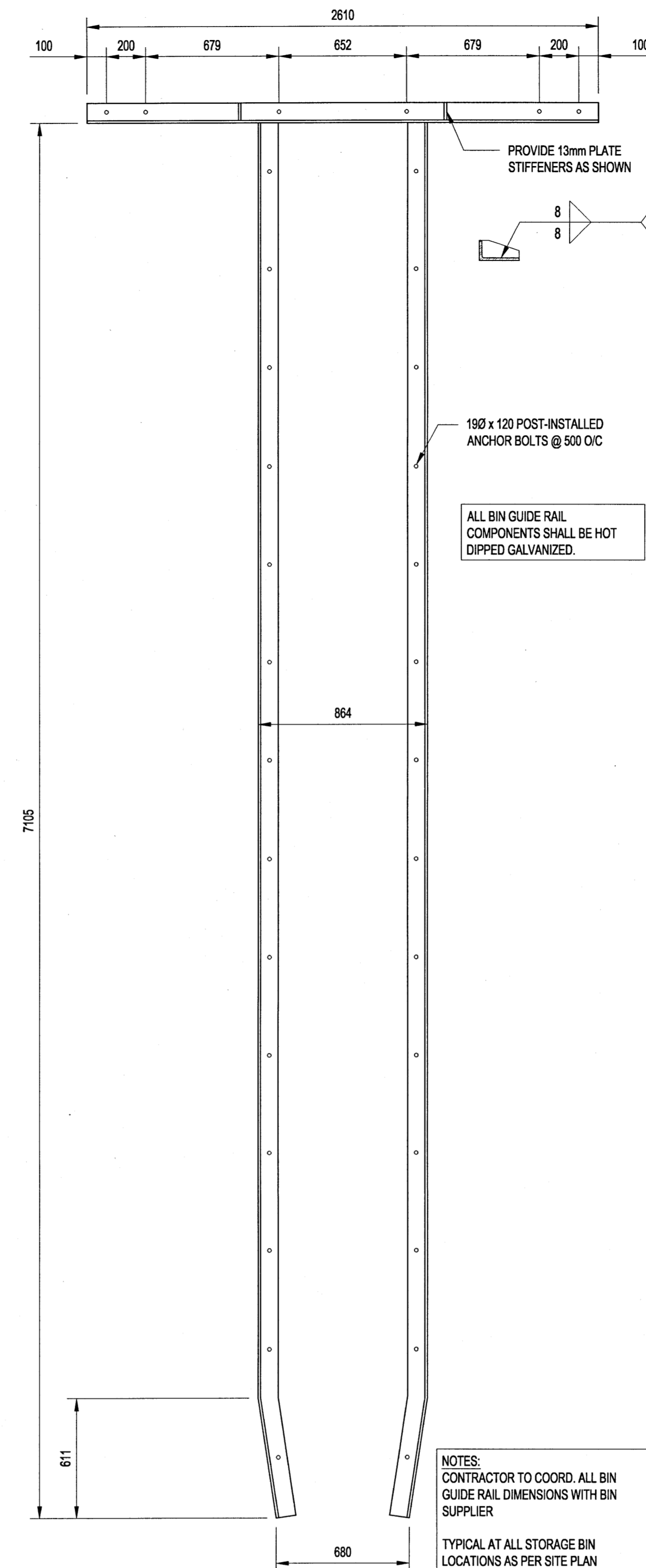
**2 TYPICAL PILE DETAIL**  
SCALE: N.T.S.



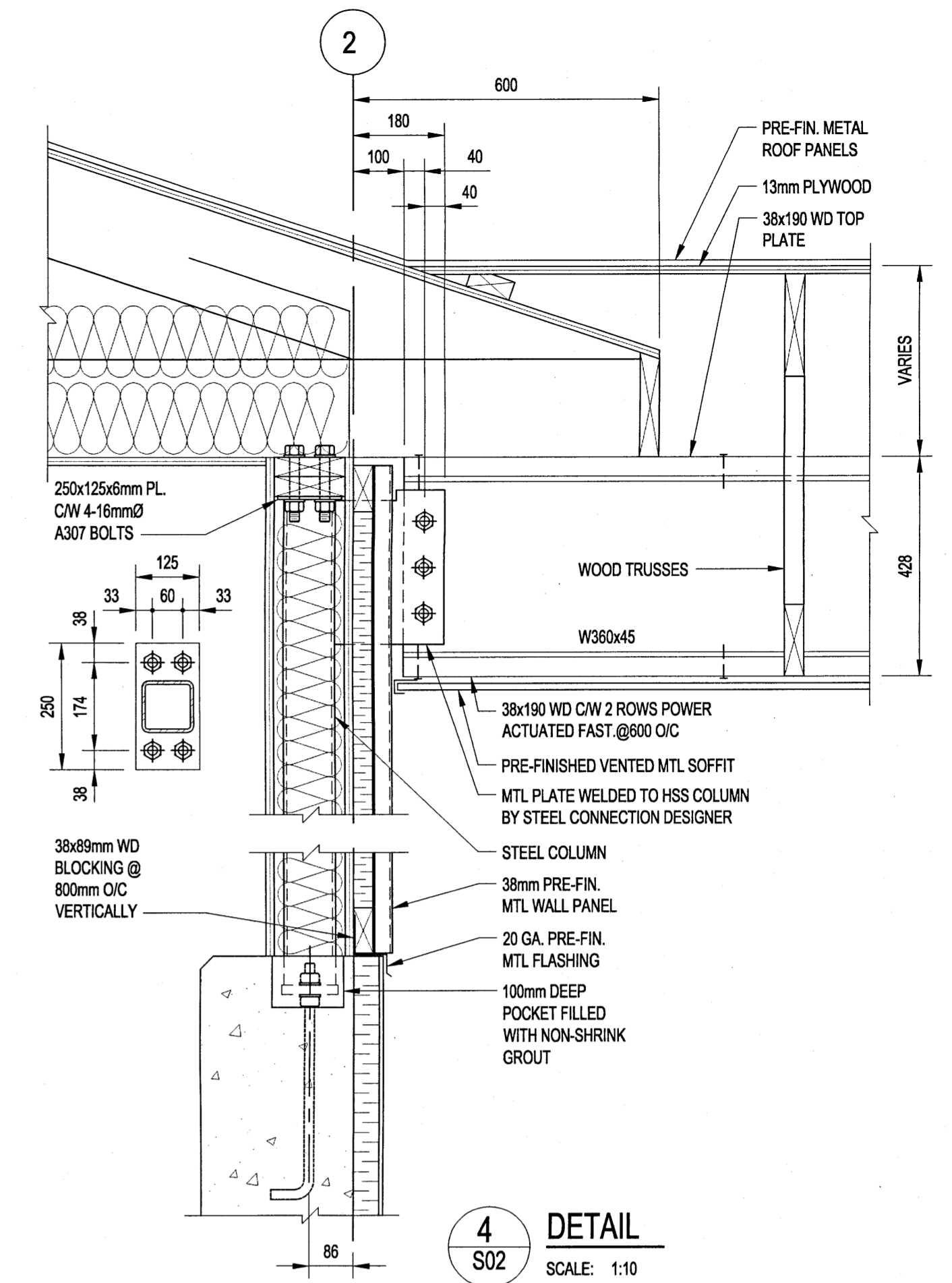
**3 DETAIL - BOLLARD**  
SCALE: 1:25



**B SECTION**  
SCALE: 1:10



**1 BIN GUIDE RAILS**  
SCALE: 1:20



**4 S02 DETAIL**  
SCALE: 1:10

**LOCATION APPROVED UNDERGROUND STRUCTURES**

SUPV. U/G STRUCTURES COMMITTEE DATE

NOTE:  
LOCATION OF UNDERGROUND STRUCTURES AS SHOWN ARE BASED ON THE BEST INFORMATION AVAILABLE BUT NO GUARANTEE IS GIVEN THAT ALL EXISTING UTILITIES ARE SHOWN OR THAT THE GIVEN LOCATIONS ARE EXACT. CONFIRMATION OF EXISTENCE AND EXACT LOCATION OF ALL SERVICES MUST BE OBTAINED FROM THE INDIVIDUAL UTILITIES BEFORE PROCEEDING WITH CONSTRUCTION.

B.M. ELEV.	DATE	BY
0	ISSUED FOR TENDER	17/03/29
	REVISIONS	

<b>KGS GROUP CONSULTING ENGINEERS</b>	
DESIGNED BY: DJP	CHECKED BY: CMS
DRAWN BY: JAR	APPROVED BY: [Signature]
HOR. SCALE: AS NOTED	RELEASED FOR CONSTRUCTION: [Signature]
VERTICAL: AS NOTED	DATE: 16/08/11

ENGINEER'S SEAL  
  
 CONSULTANT DRAWING NO. 16-0107-010

**THE CITY OF WINNIPEG WATER AND WASTE DEPARTMENT**  
  
 PROJECT TITLE: 4R WINNIPEG DEPOT EAST WINNIPEG COMMUNITY RESOURCE RECOVERY CENTRE  
 SECTIONS AND DETAILS  
 SHEET 19 OF 41  
 COMPUTER FILE NAME: 16-0107-010  
 CONSULTANT DRAWING NUMBER: S03

16-0107-010\16-0107-010\_S03.dwg