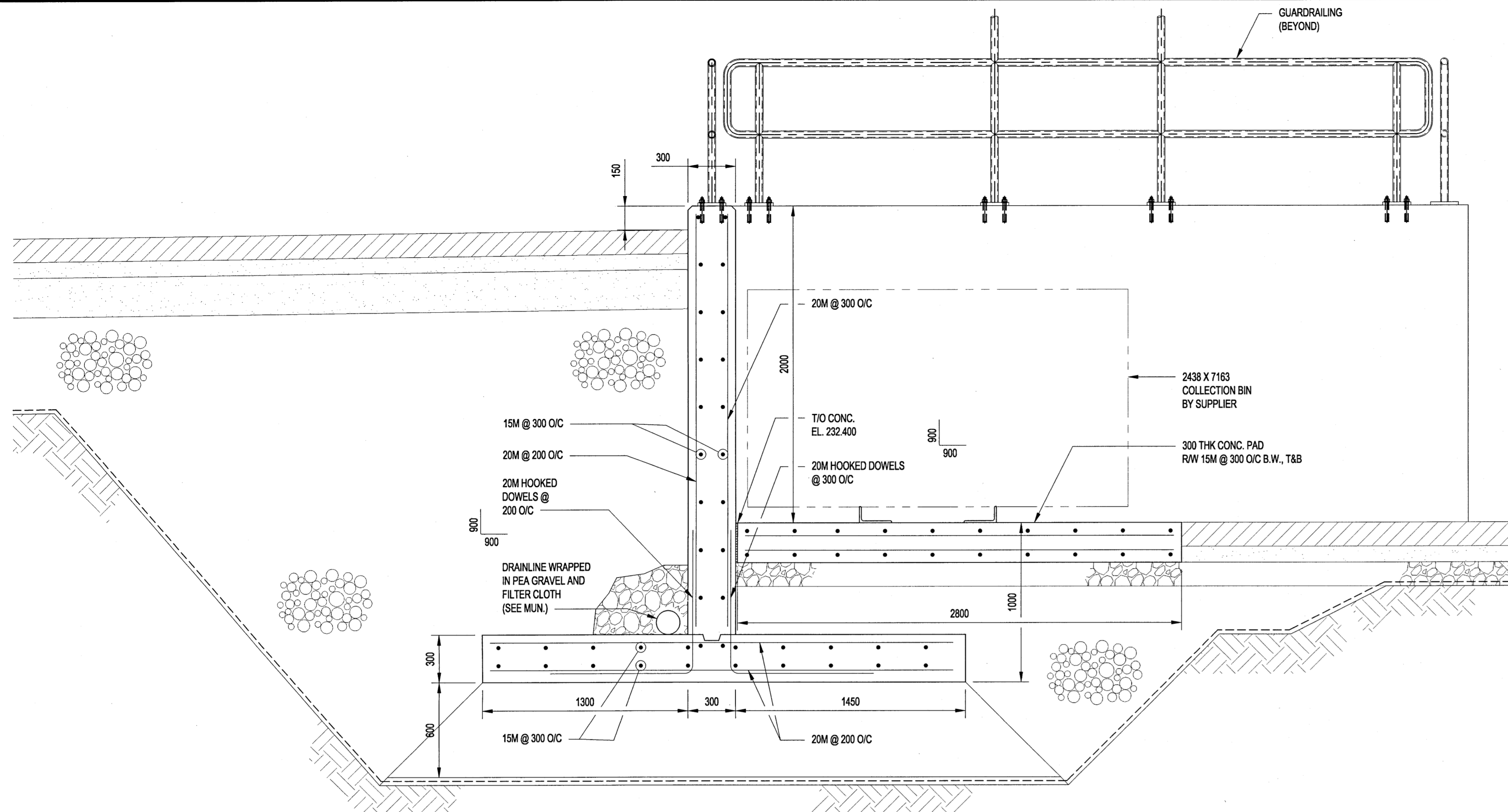
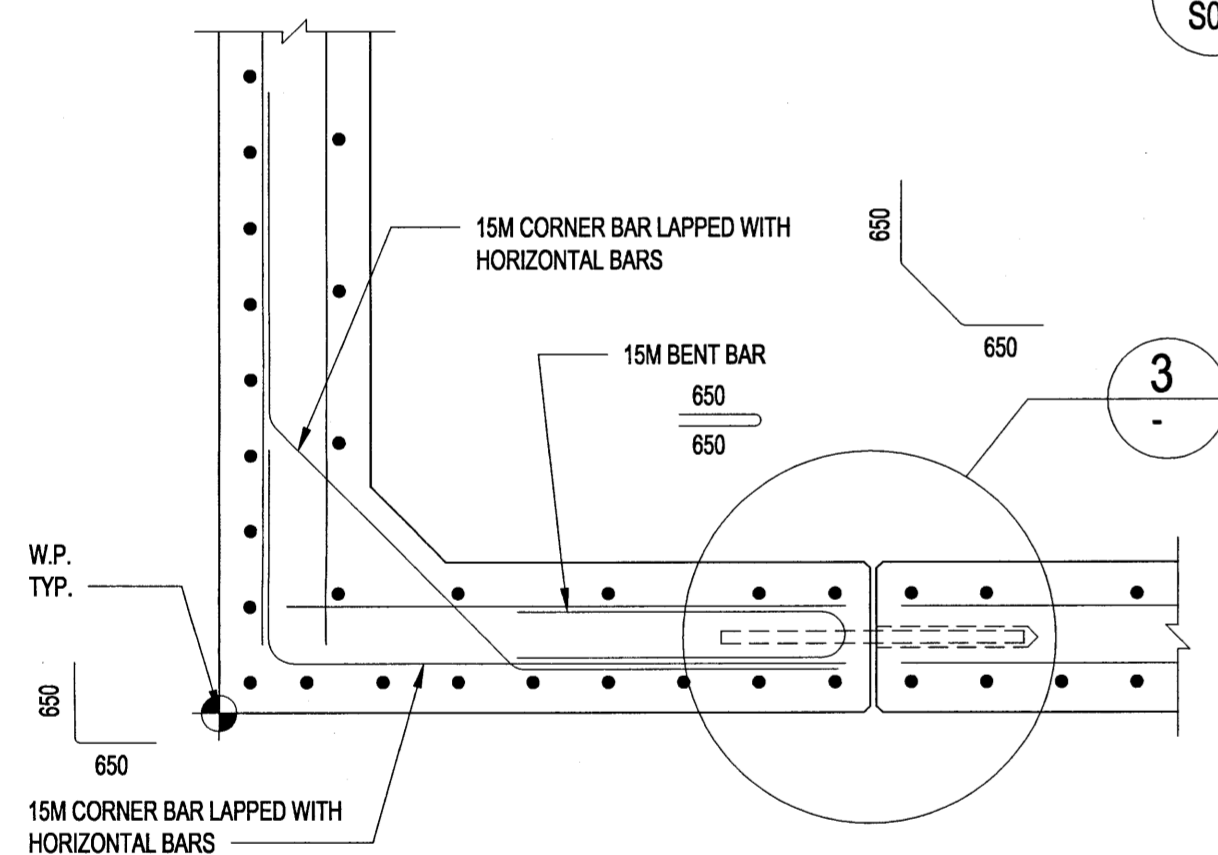


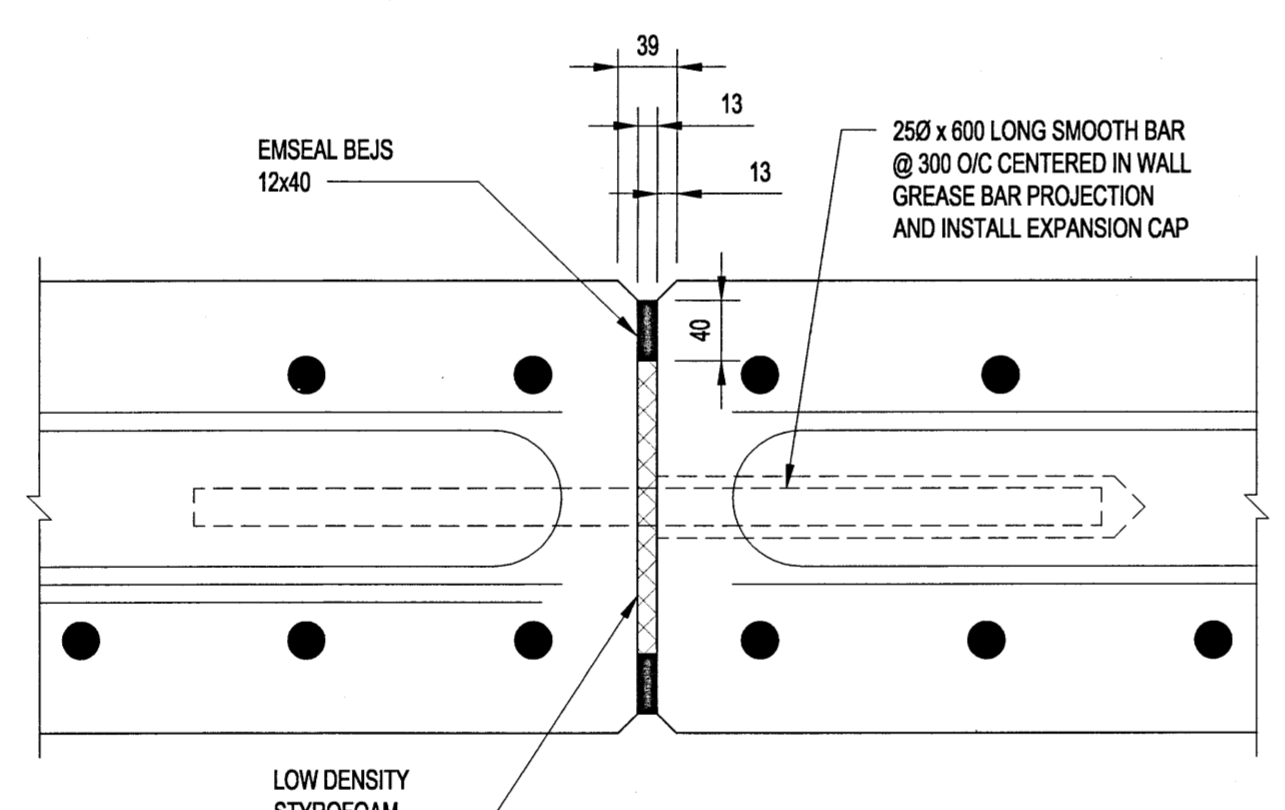
GENERAL NOTES:  
 1. ALL EXTERIOR STEEL ELEMENTS TO BE GALVANIZED.



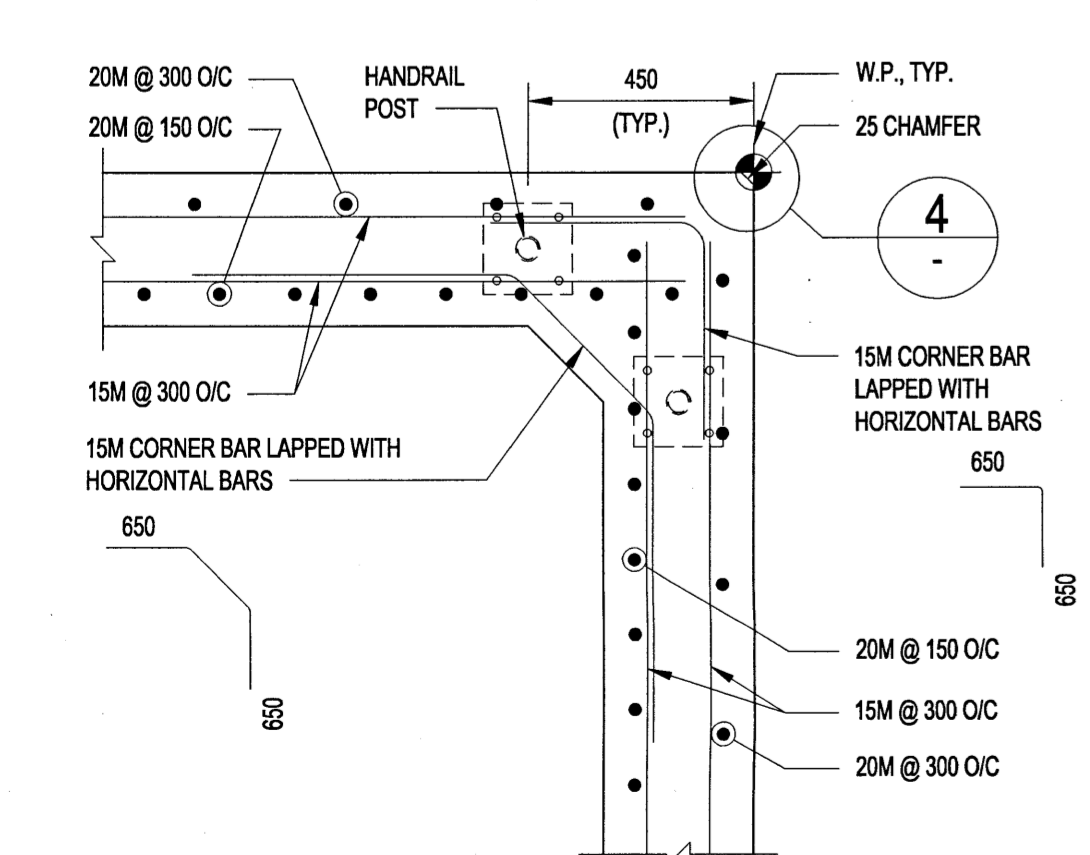
**A** RETAINING WALL SECTION  
 S03 SCALE: 1:20



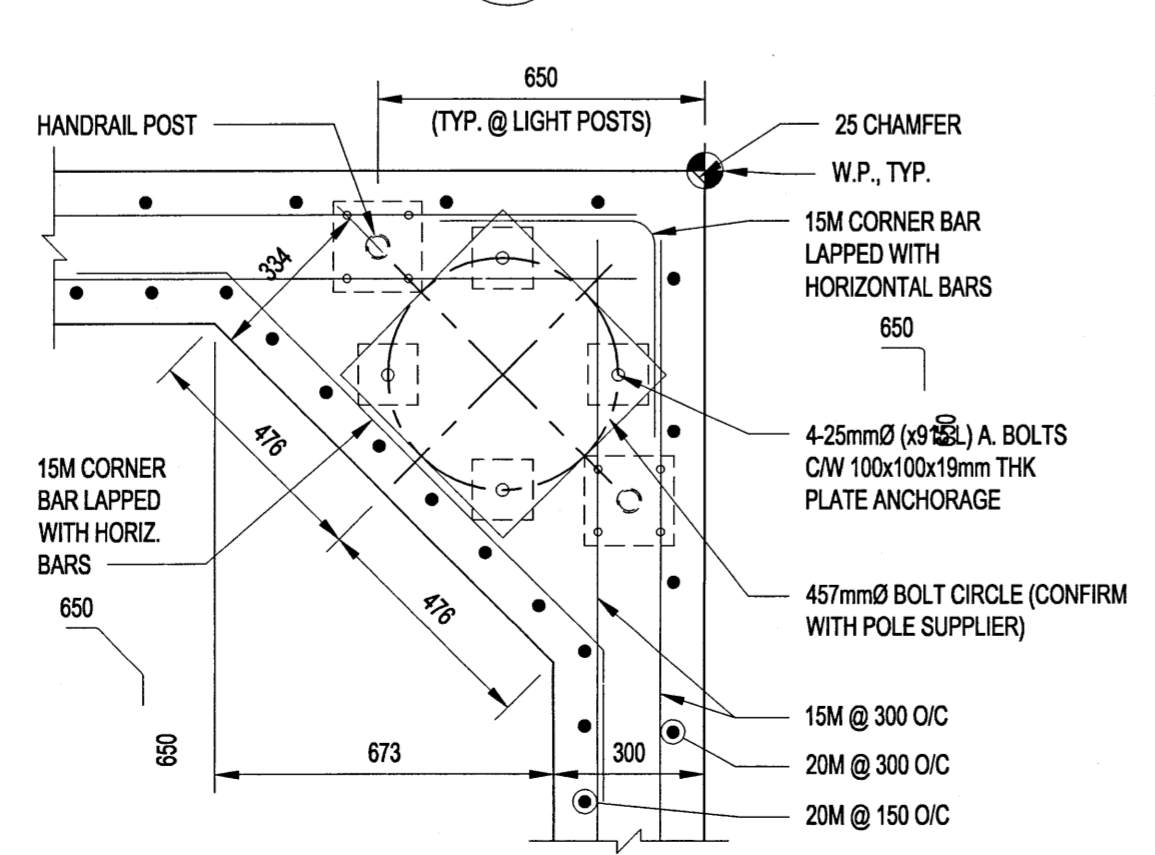
**1** DETAIL  
 S03 SCALE: 1:10



**3** EXPANSION JOINT DETAIL  
 SCALE: 1:5

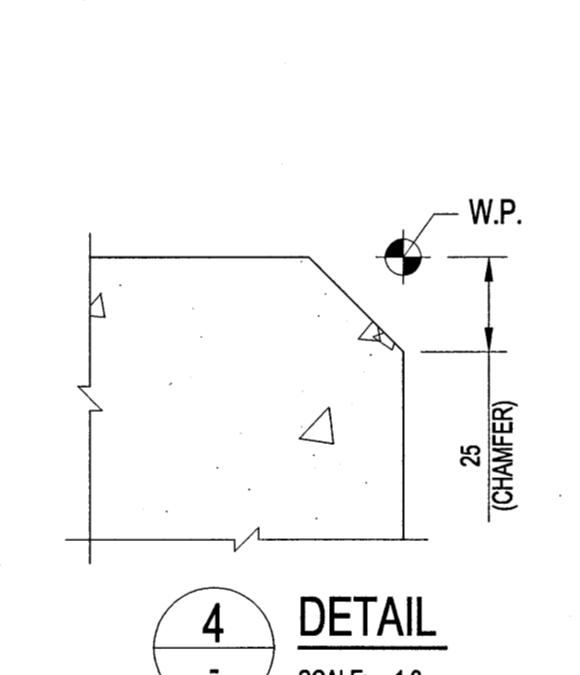


**2** DETAIL  
 S03 SCALE: 1:10

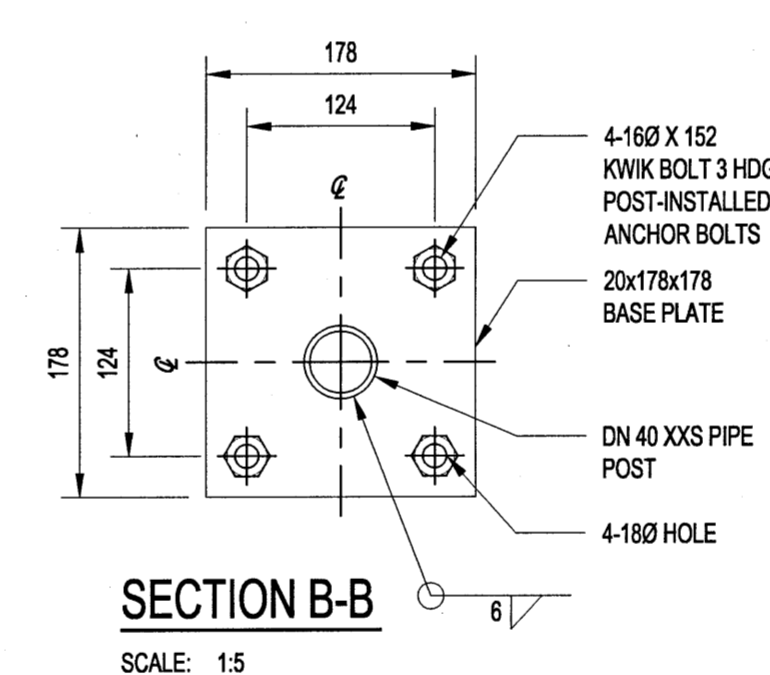


**4** DETAIL  
 S03 SCALE: 1:10

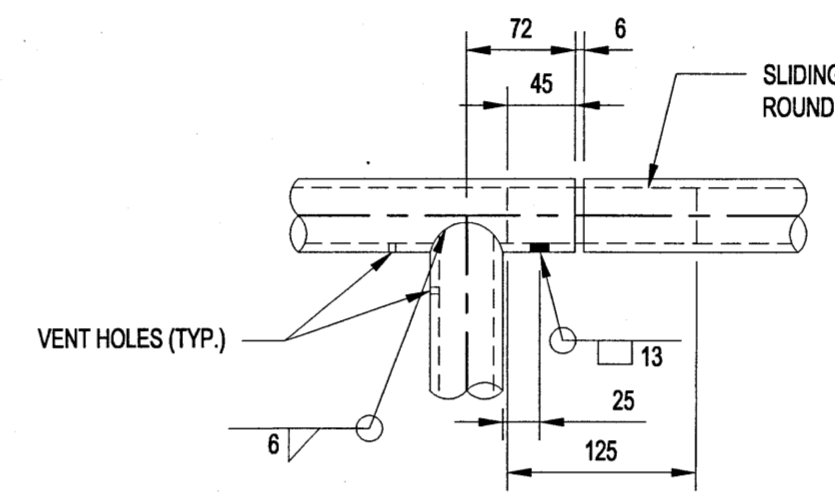
NOTES:  
 TYPICAL AT 5 LOCATIONS. COORDINATE WITH ELECTRICAL.  
 FOR CAMERA POLES, REPLACE 25mm ANCHOR BOLTS WITH 19mm ANCHOR BOLTS. LAYOUTS TO SUIT POLE BASE PLATE.



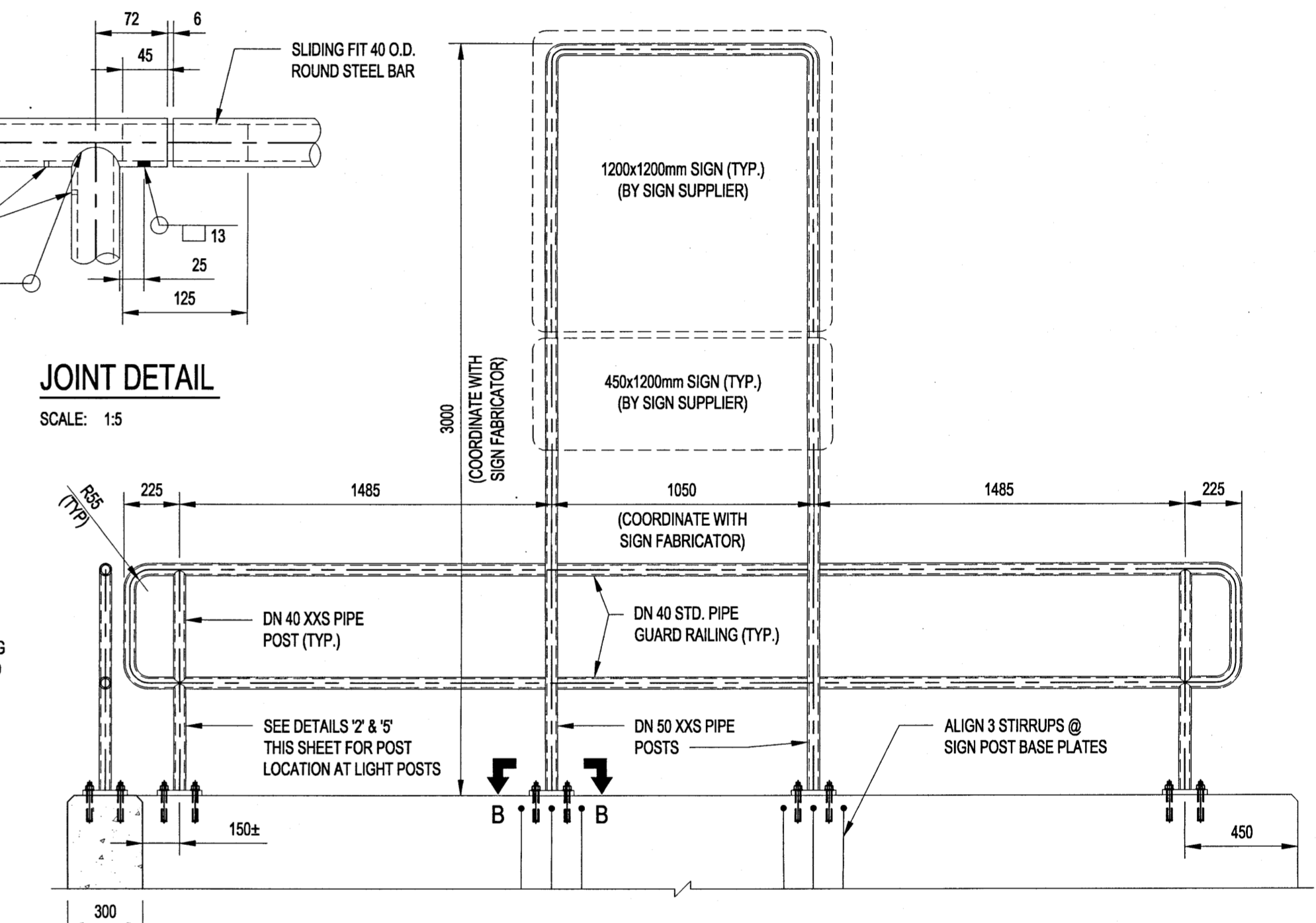
**4** DETAIL  
 SCALE: 1:2



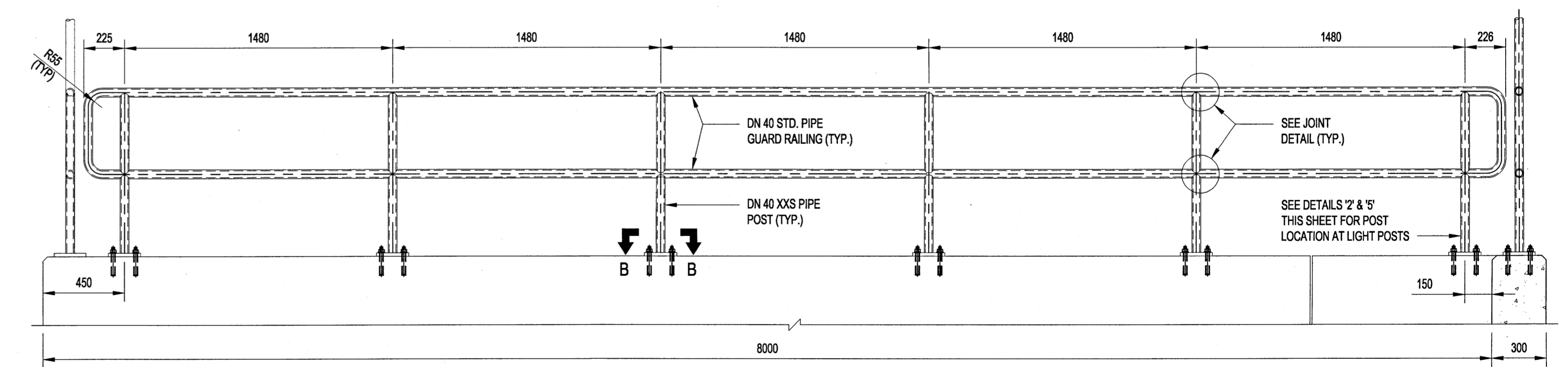
SECTION B-B  
 SCALE: 1:5



JOINT DETAIL  
 SCALE: 1:5



GUARD RAILING ELEVATION - SHORT WALL  
 SCALE: 1:20



GUARD RAILING ELEVATION - LONG WALL  
 SCALE: 1:20

LOCATION APPROVED UNDERGROUND STRUCTURES  
 SUPV. U/G STRUCTURES COMMITTEE DATE  
 NOTE: LOCATION OF UNDERGROUND STRUCTURES AS SHOWN ARE BASED ON THE BEST INFORMATION AVAILABLE BUT NO GUARANTEE IS GIVEN THAT ALL EXISTING UTILITIES ARE SHOWN OR THAT THE GIVEN LOCATIONS ARE EXACT. CONFIRMATION OF EXISTENCE AND EXACT LOCATION OF ALL SERVICES MUST BE OBTAINED FROM THE INDIVIDUAL UTILITIES BEFORE PROCEEDING WITH CONSTRUCTION.

B.M. ELEV.			
DESIGNED BY	DJP	CHECKED BY	CMS
DRAWN BY	JAR	APPROVED BY	[Signature]
HOR. SCALE:	AS NOTED	RELEASED FOR CONSTRUCTION:	
VERTICAL:	AS NOTED	DATE	16/08/11
NO.	REVISIONS	DATE	
0	ISSUED FOR TENDER	17/03/29	[Signature]

**KGS GROUP**  
 CONSULTING ENGINEERS  
 MEMBER  
 PROFESSIONAL ENGINEER

ENGINEER'S SEAL  
 D. PETRAK  
 Member  
 24082  
 CONSULTANT DRAWING NO.  
 16-0107-010

THE CITY OF WINNIPEG  
 WATER AND WASTE DEPARTMENT  
 PROJECT TITLE  
 4R WINNIPEG DEPOT  
 EAST WINNIPEG COMMUNITY RESOURCE  
 RECOVERY CENTRE  
 RETAINING WALL SECTIONS AND DETAILS

SHEET OF  
 20 41  
 COMPUTER FILE NAME  
 16-0107-010  
 CONSULTANT DRAWING NUMBER  
 S04

16-0107-010\16-0107-010\_S03.dwg